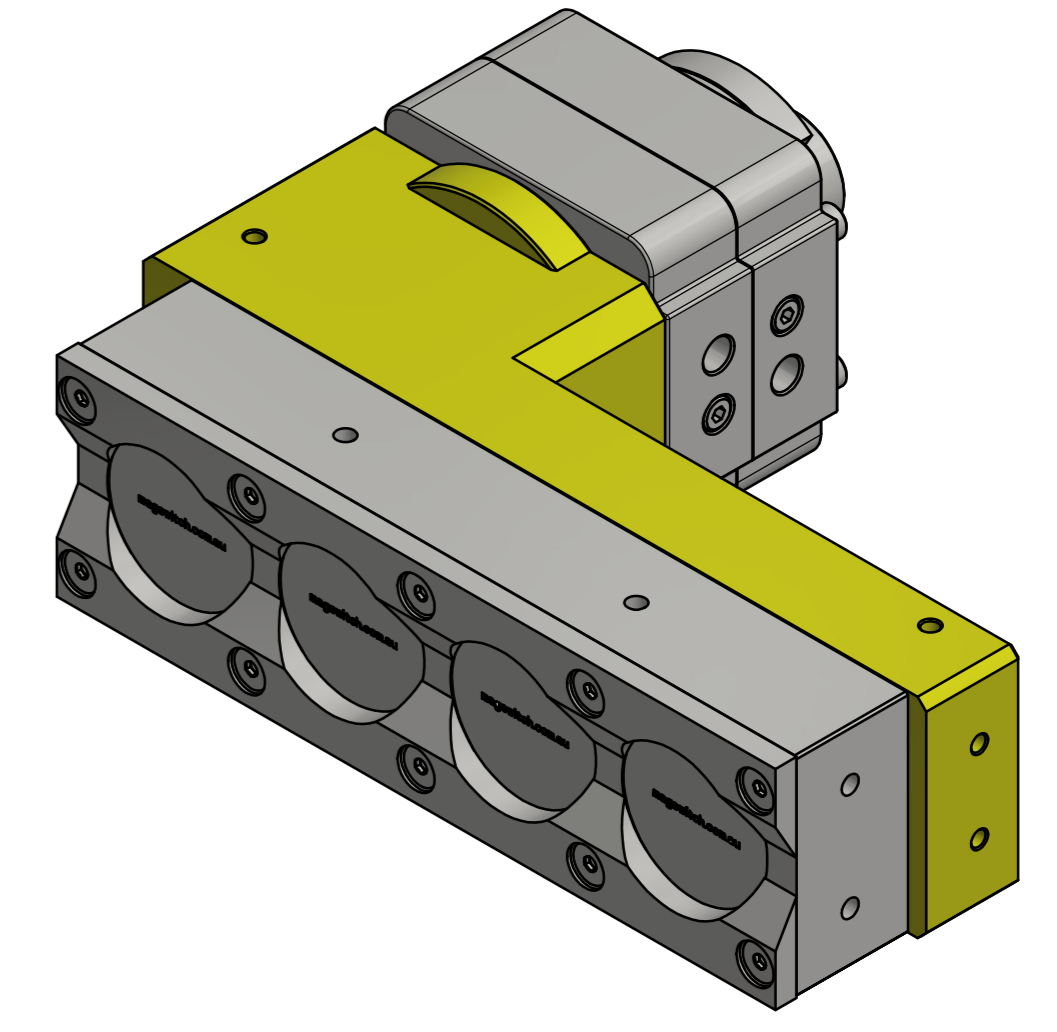
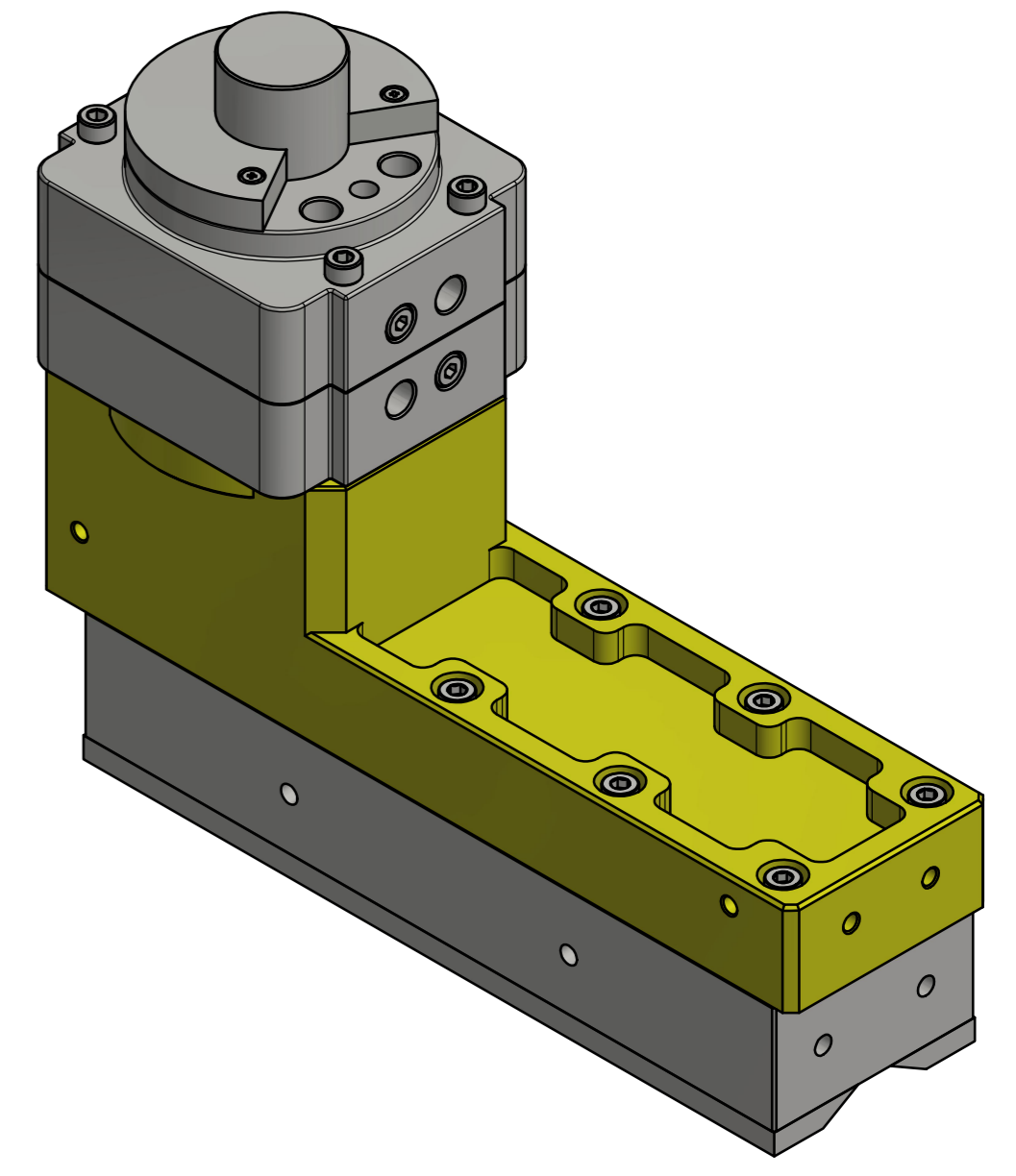
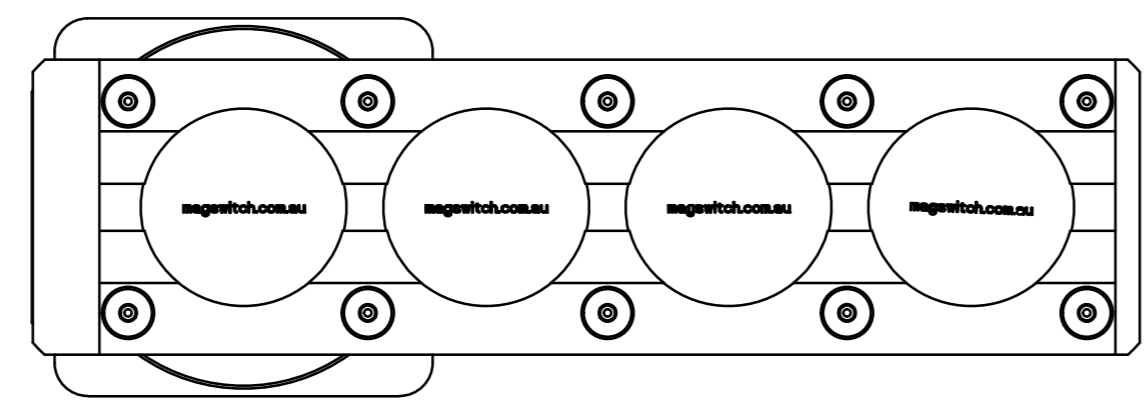
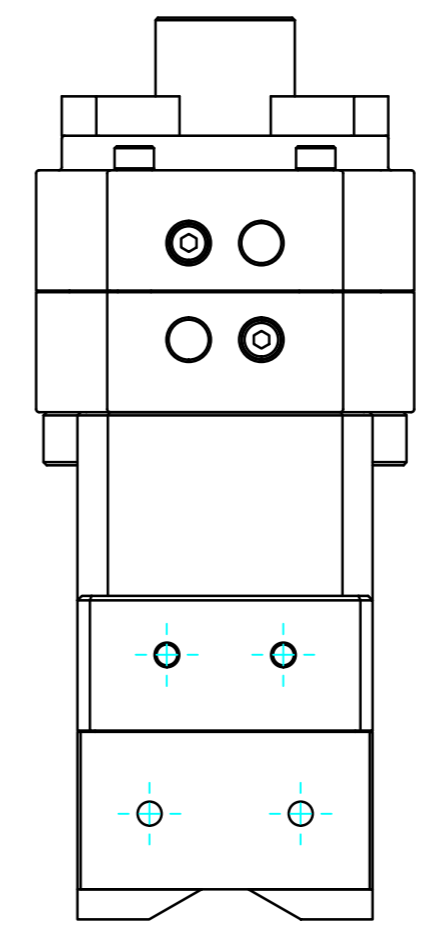
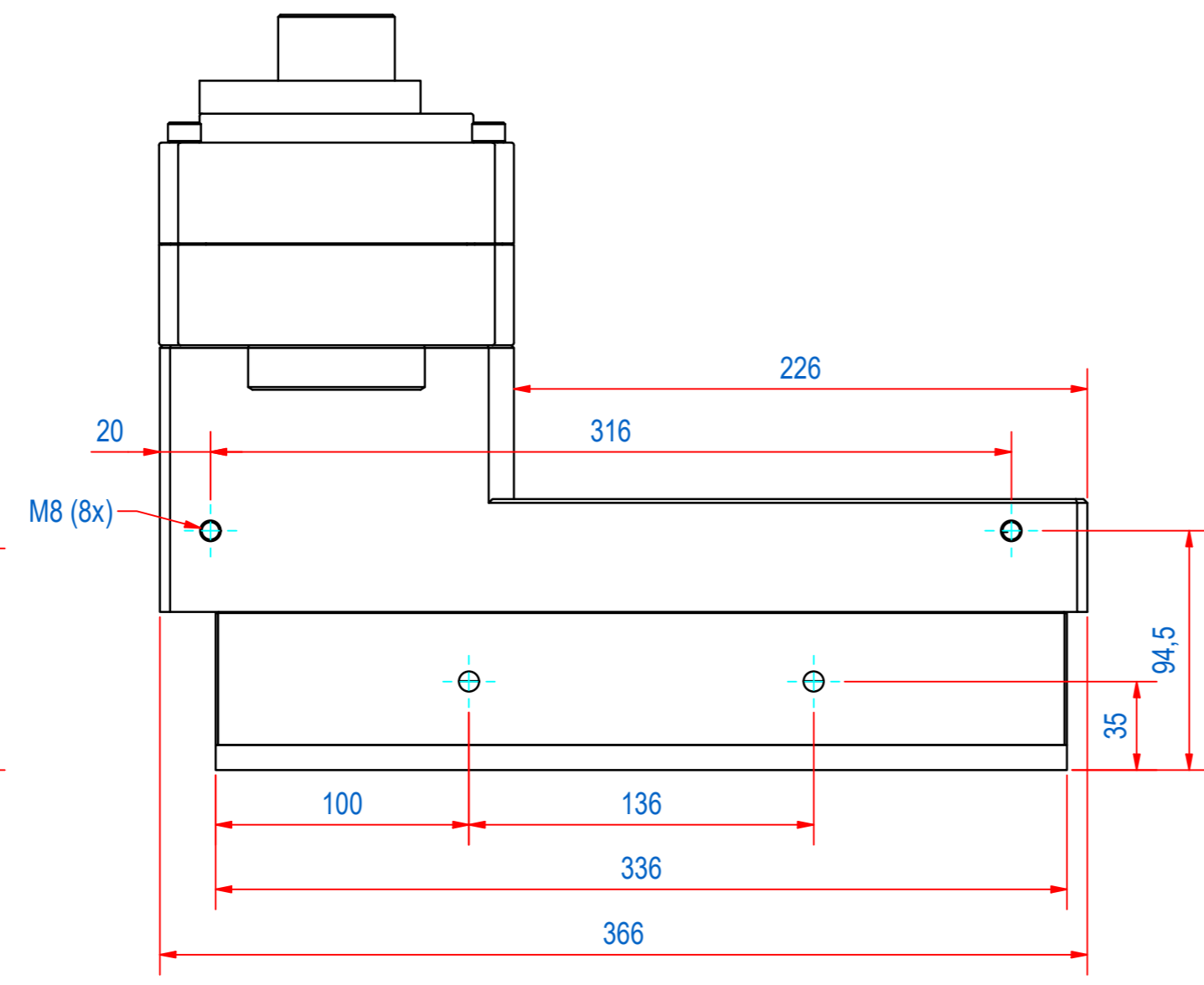
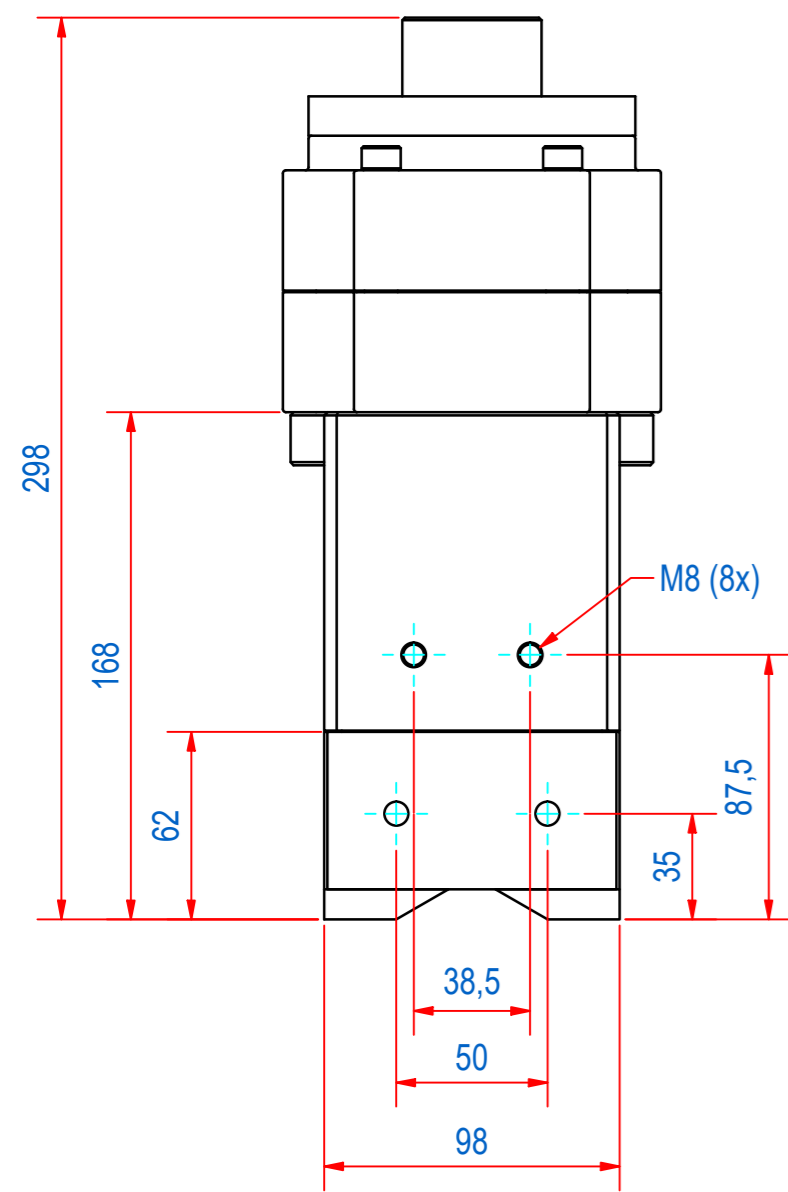
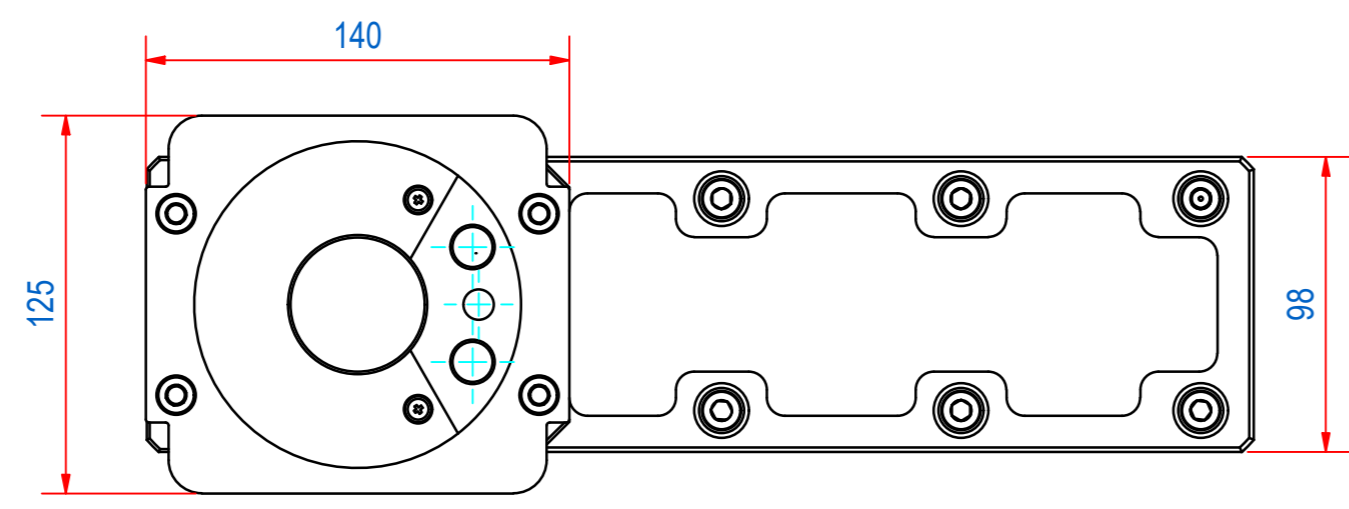



3	2	1		
DOC.NR.	REV	DATE	BY	DESCRIPTION
MS-8140417	-	12-12-2013	BS	ORIGINAL DRAWING



RAW MAT.	Quantity	Material Number	Material Description	Length (mm)	Width (mm)
1					
Sheet: A2		Extra info:		General tolerance: ISO 2768 - mK	
Drawn: PB		Weight (kg): 20		Drawn according: ISO286; ISO1101; ISO2553	
Date: 10-12-2013		Source: MC-C		Status: Standard	
Spare part: False		Quick search: MS070X4		Customer reference number:	
Description: HMS-PLAY70x4 MDC-70MM				Document number: MS-8140417	
		© All rights reserved. Reproduction is not permitted without written permission of GOUDSMIT Magnetic Systems BV		Doc.Rev: -	
				Part number: MS-8140417	
				Rev: -	