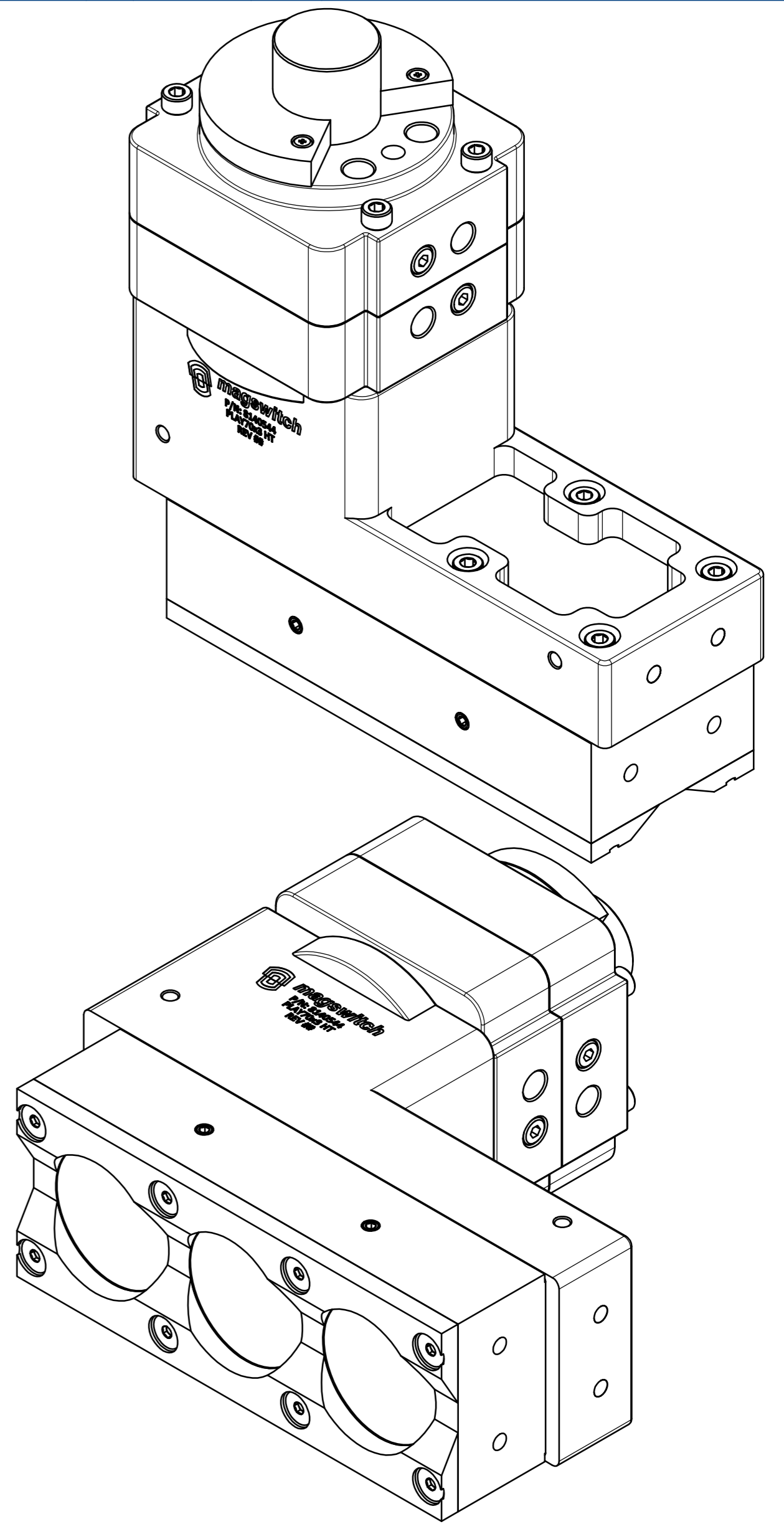
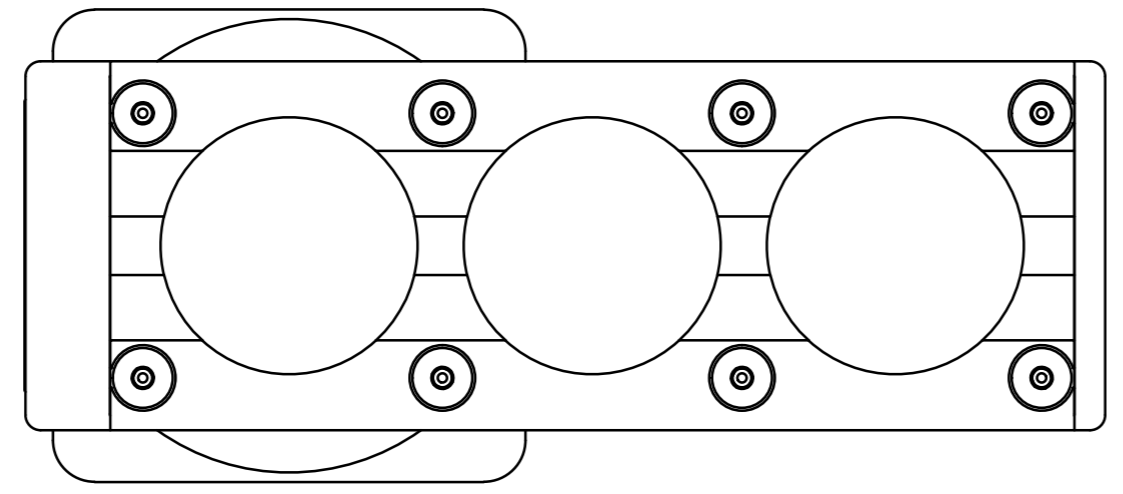
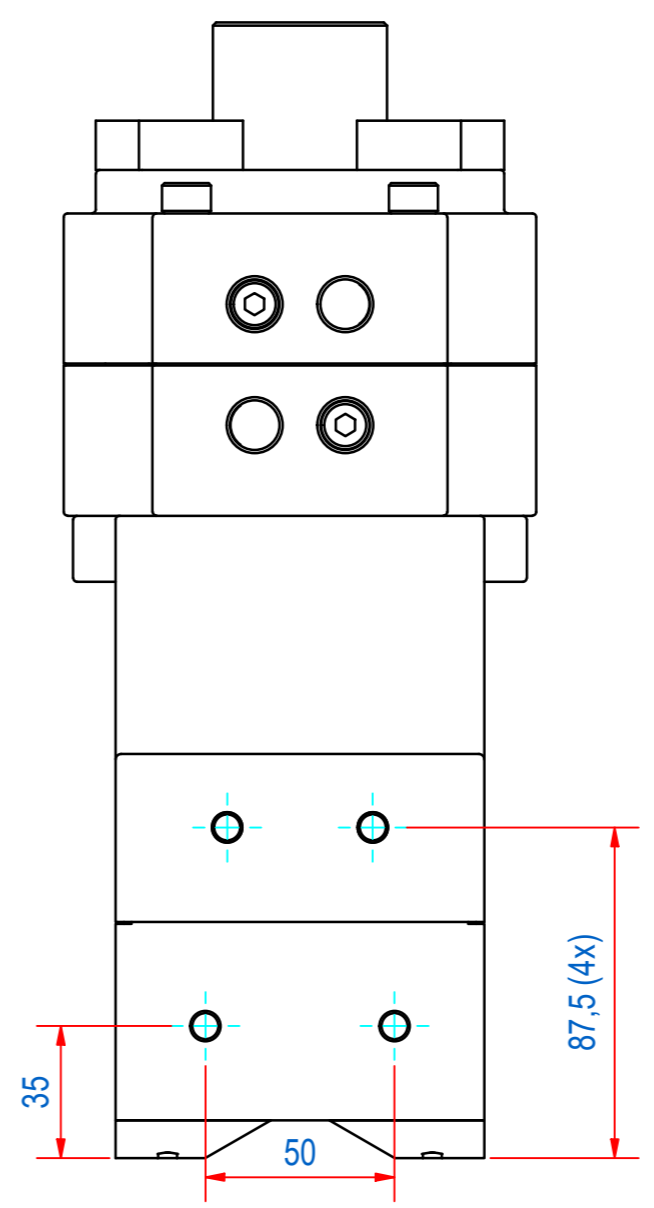
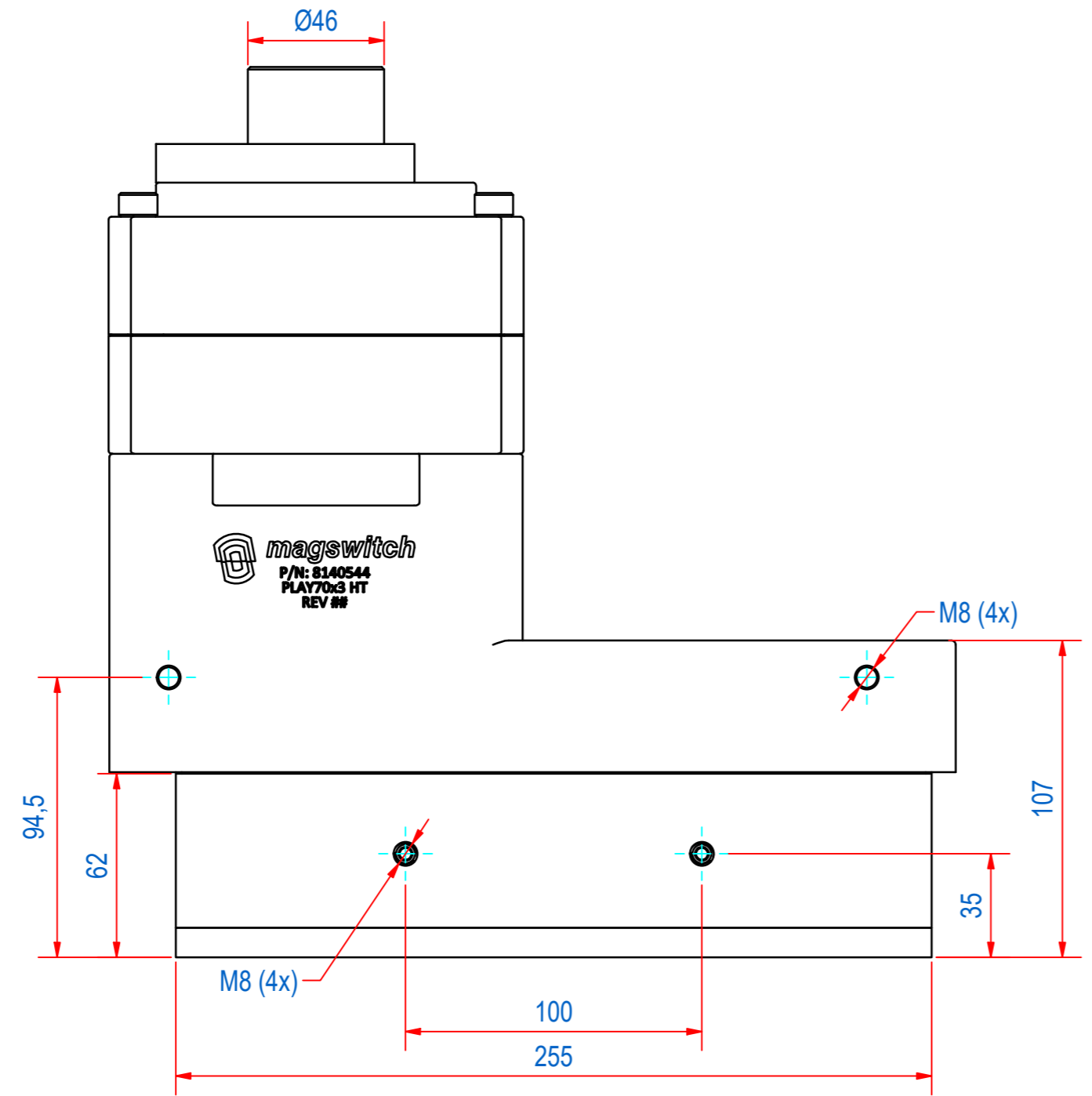
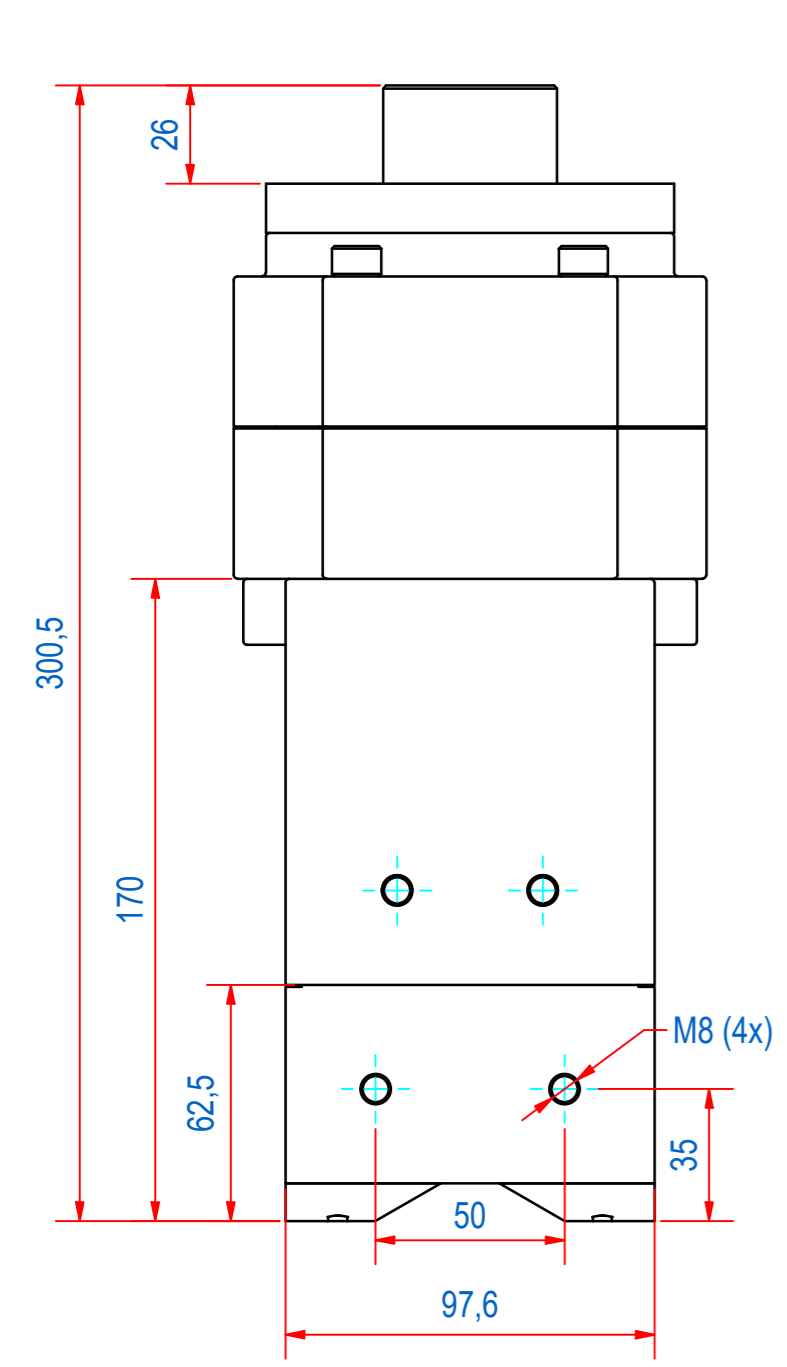
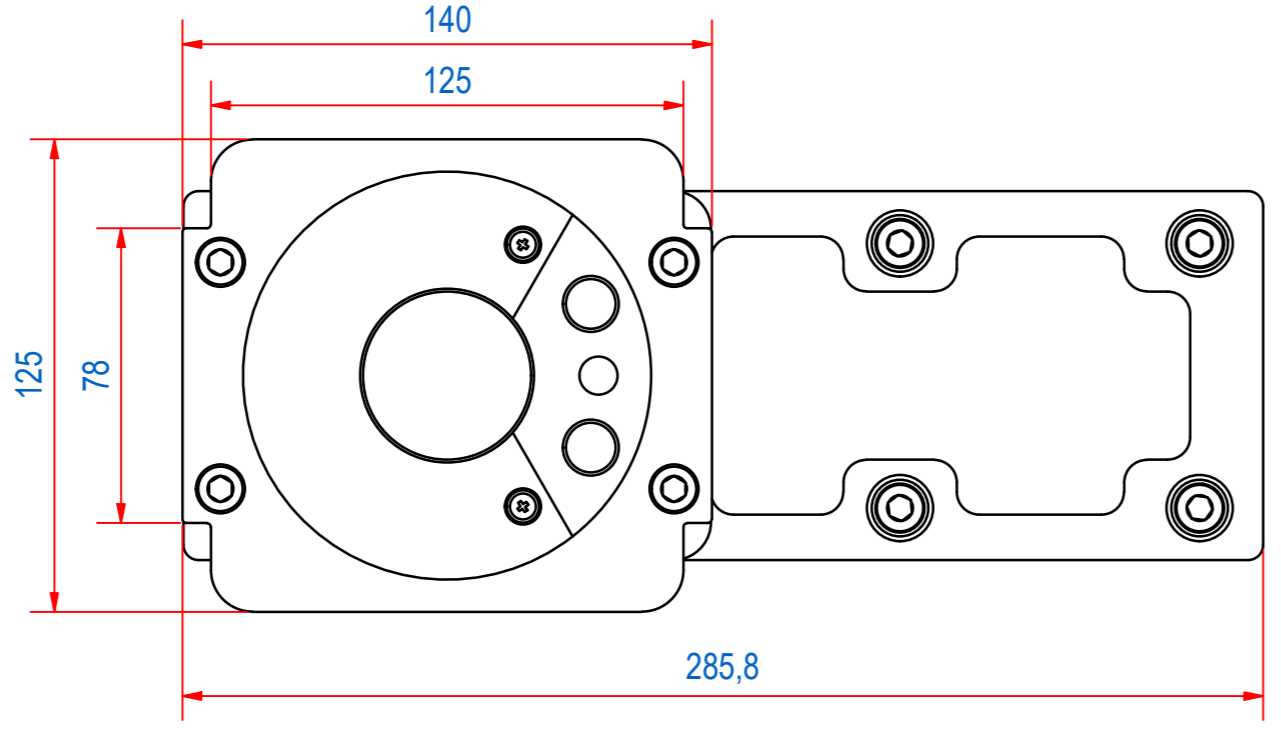


3	2	1
DOC.NR.	REV	DATE
MS-8140544	-	17-2-2020
BY	DESCRIPTION	
JVe	ORIGINAL DRAWING	



RAW MAT.	1								
Quantity		Material Number		Material Description		Length (mm)		Width (mm)	
Sheet:	A2	Extra info:		General tolerance:	ISO 2768-				
Drawn:	jve	Weight (kg):	39	Drawn according:	ISO286; ISO1101; ISO2553				
Date:	11-2-2020	Status:	Standard	Customer reference number:					
Spare part:	MC-C	Document number:	MS-8140544	Doc.Rev:					
Quick search:	MS070x3	Description:	HMS-PLAY70x3 MDC-70MM	Part number:	MS-8140544				
				Rev:					