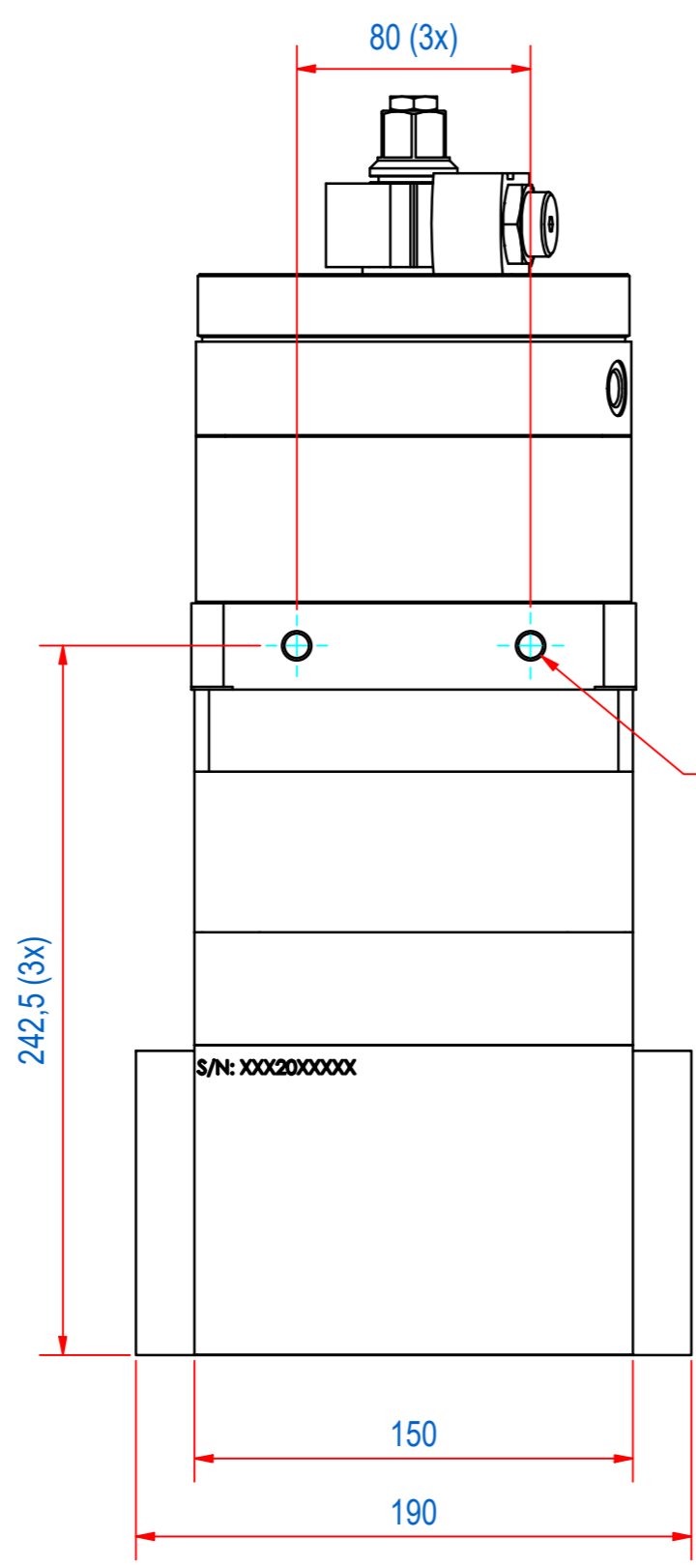
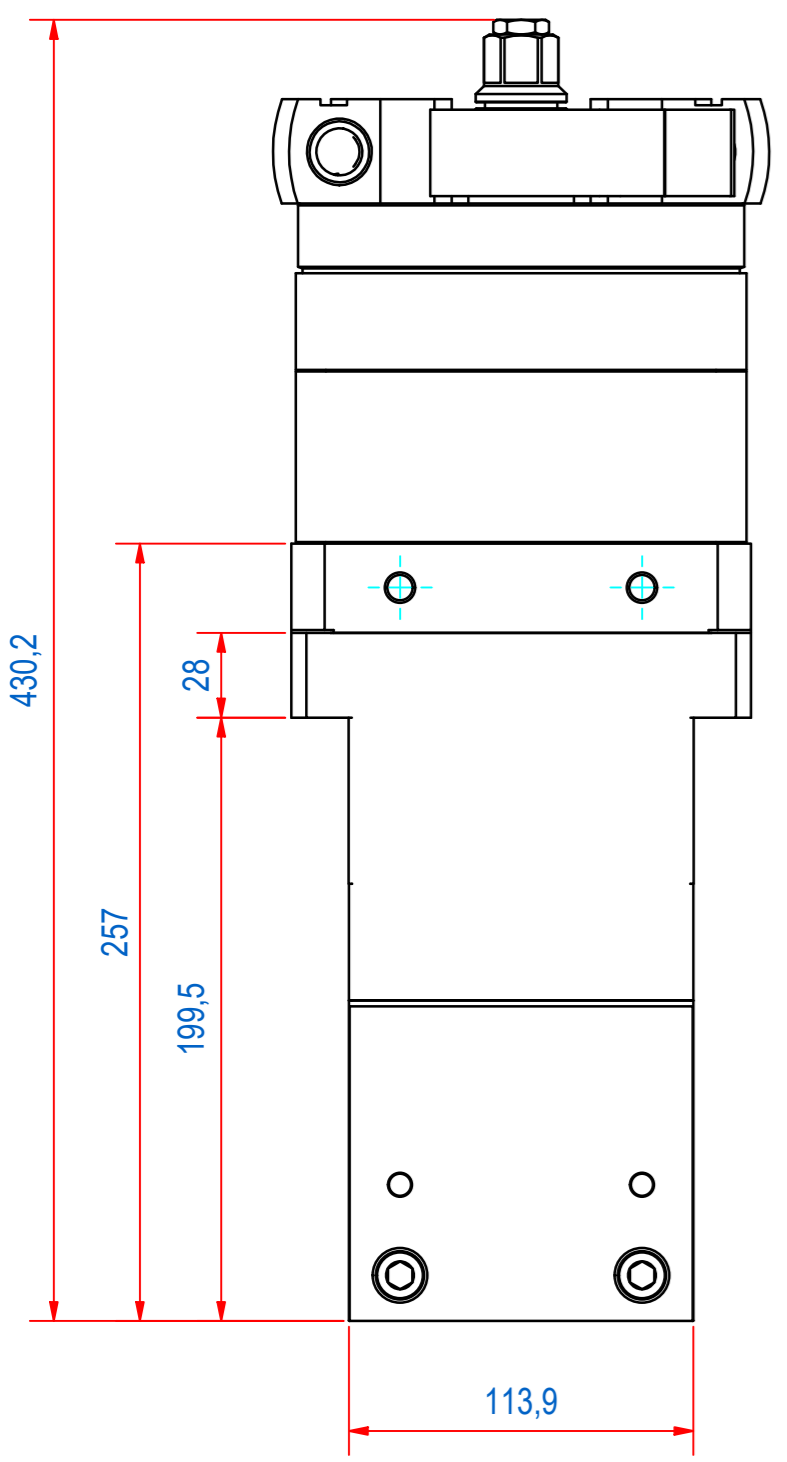
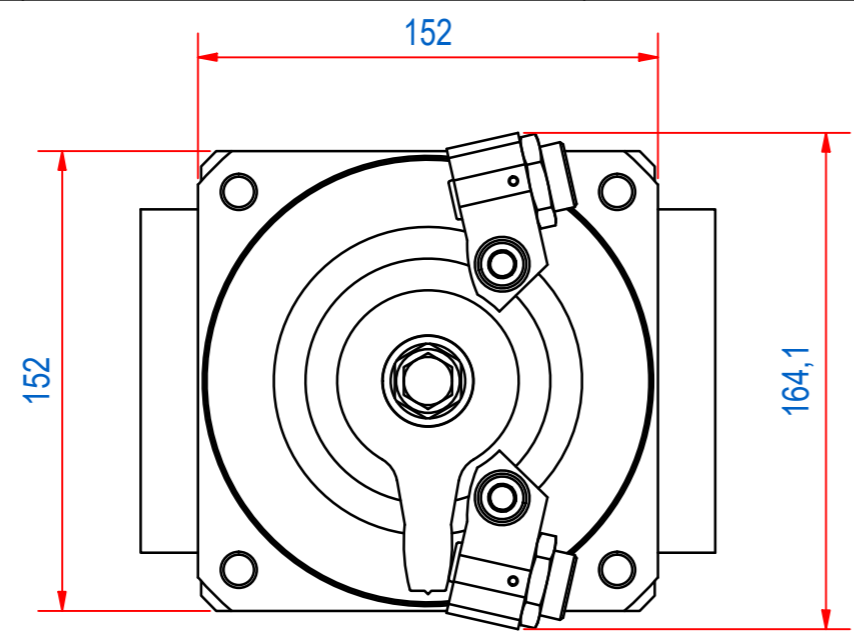
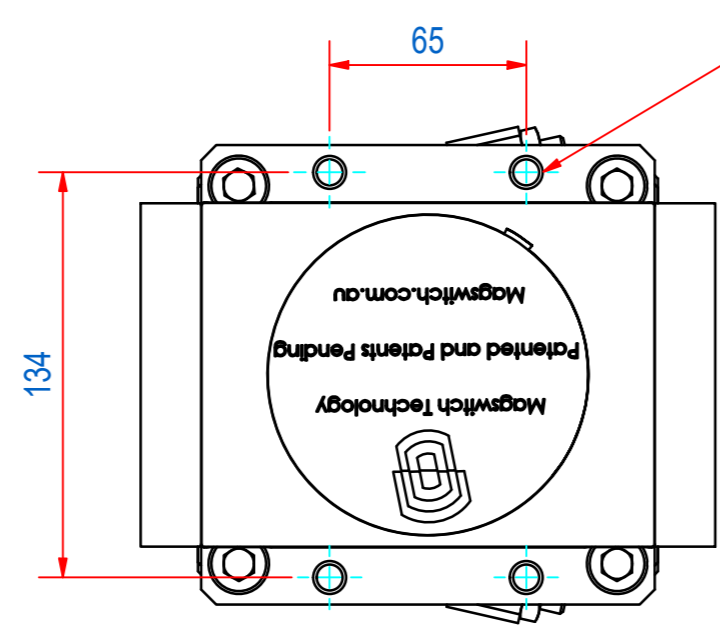
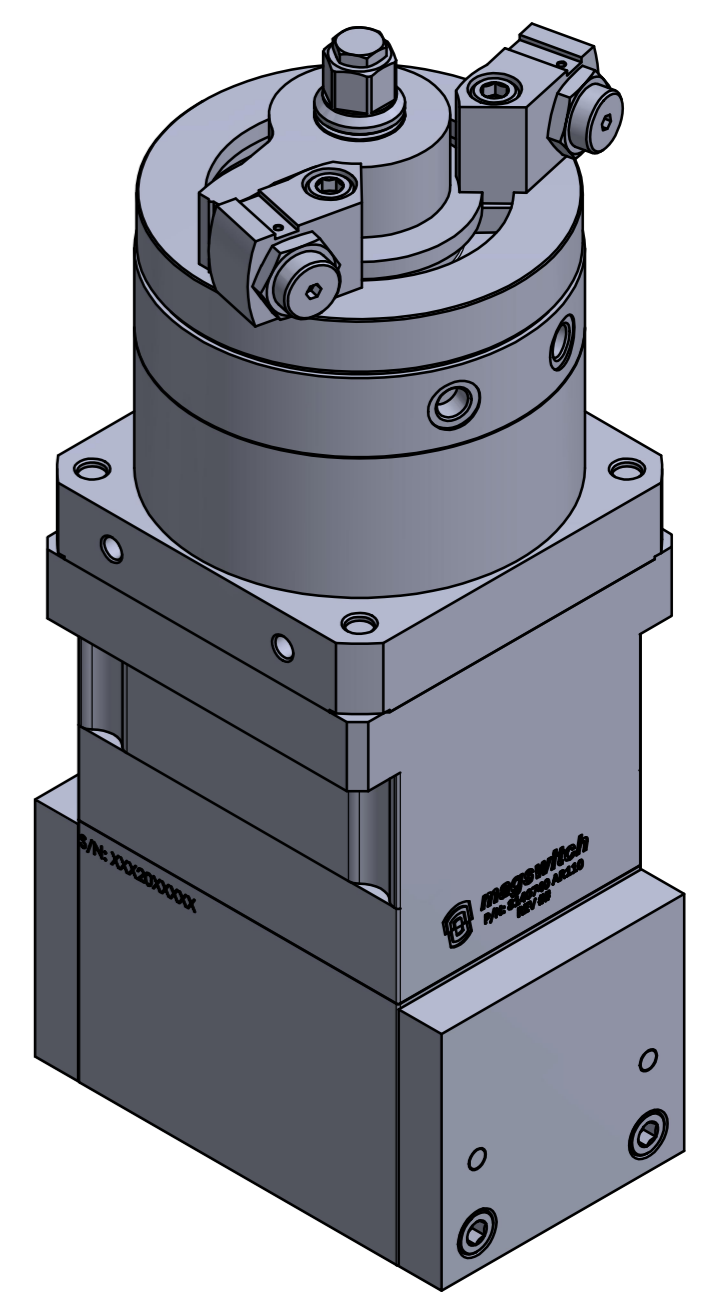
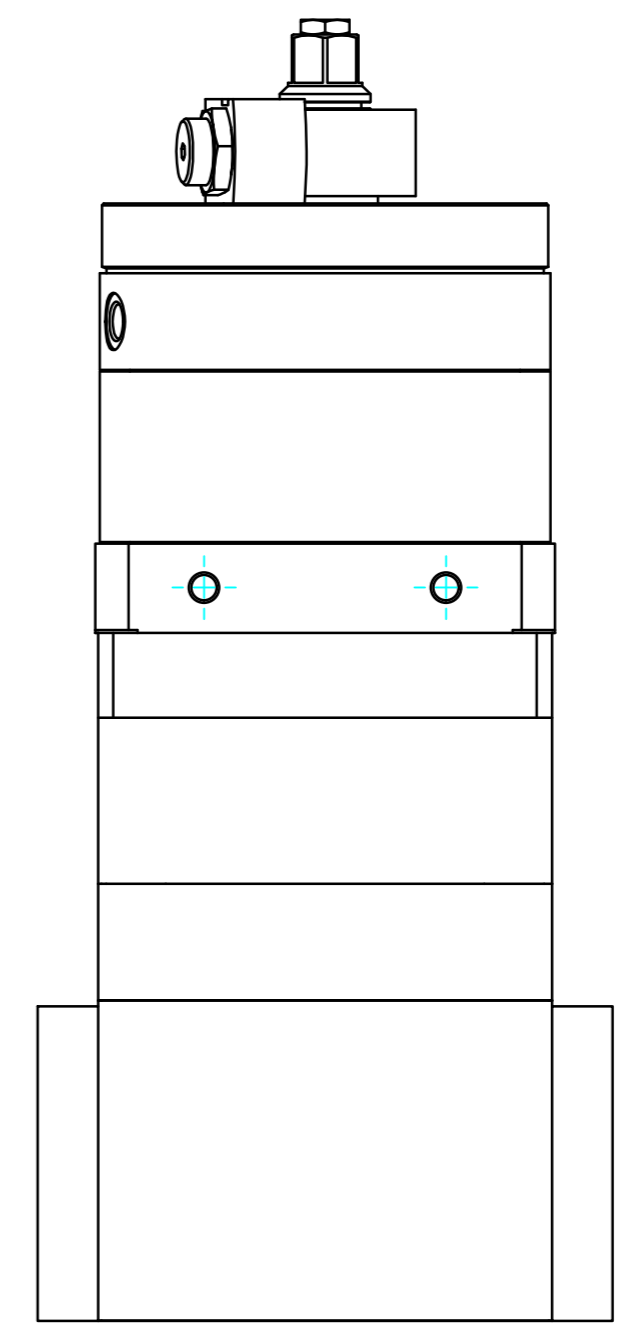
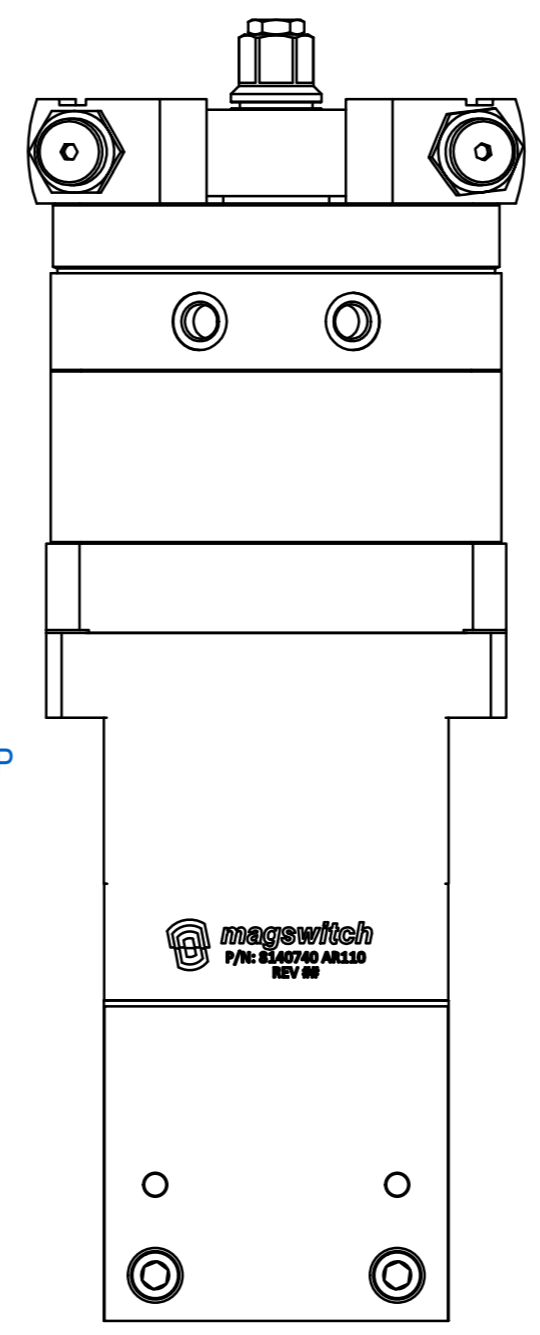


3	2		1	
DOC.NR.	REV	DATE	BY	DESCRIPTION
MS-8140740	-	28-3-2019	GS	ORIGINAL DRAWING



Ø8.5 x 20.5 DEEP
M10x1.5-6H x 16 DEEP
(6x)



Ø8.5 x 28 DEEP
M10x1.5-6H x 28 DEEP
(4x)

RAW MAT.	1	Quantity	Material Number	Material Description	Length (mm)	Width (mm)
Drawn:	Sheet: A2	Weight (kg): 7,1	Extra info:		General tolerance: ISO 2768-	
Date:	30-10-2018	Spare part: MC-C		Status: Standard		Drawn according: ISO286; ISO1101; ISO2553
Quick search:	MS110X1	Description: HMS-AR110 HDC-110MM		Customer reference number: MS-8140740		Document number: MS-8140740
				© All rights reserved. Reproduction is not permitted without written permission of GOUDSMIT Magnetic Systems BV		Doc.Rev: -
				Part number: MS-8140740		Rev: -