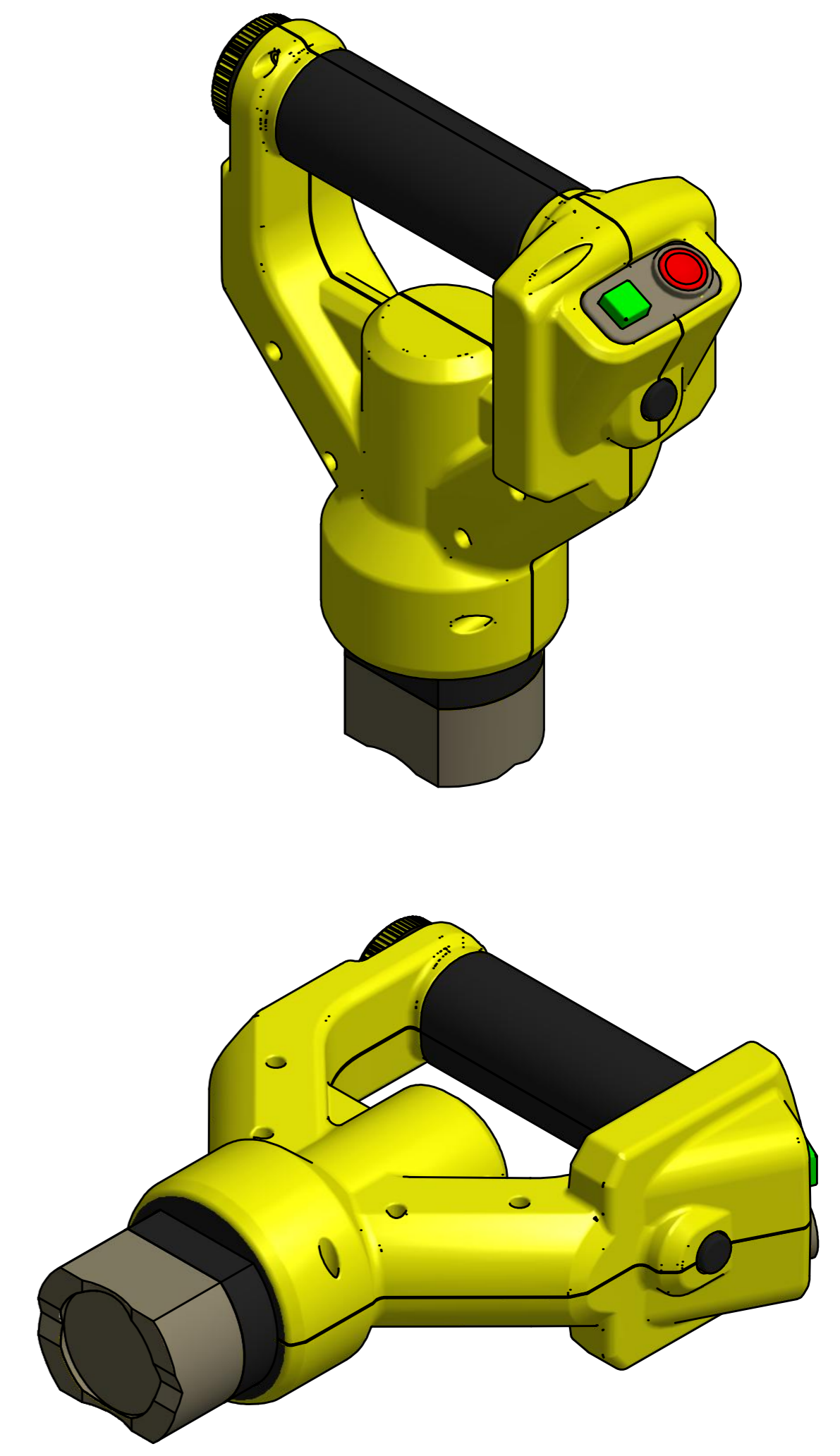
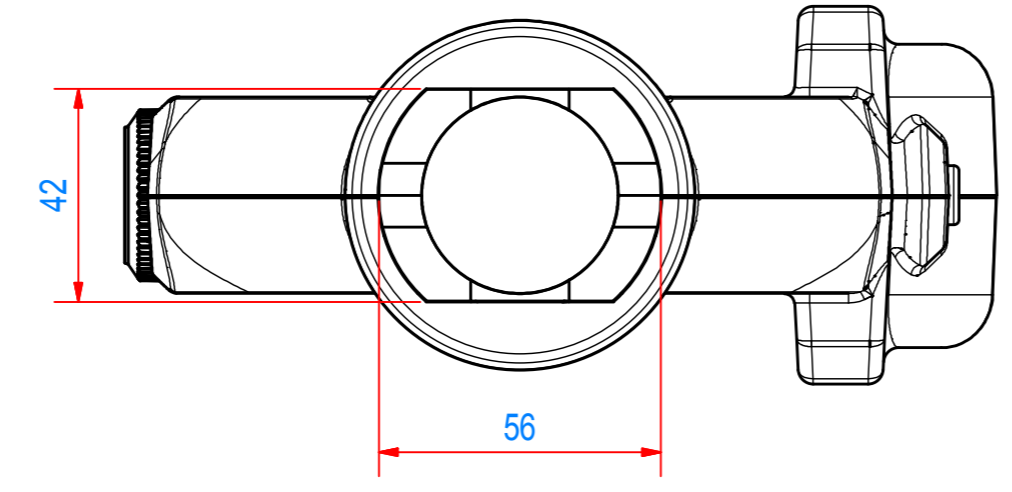
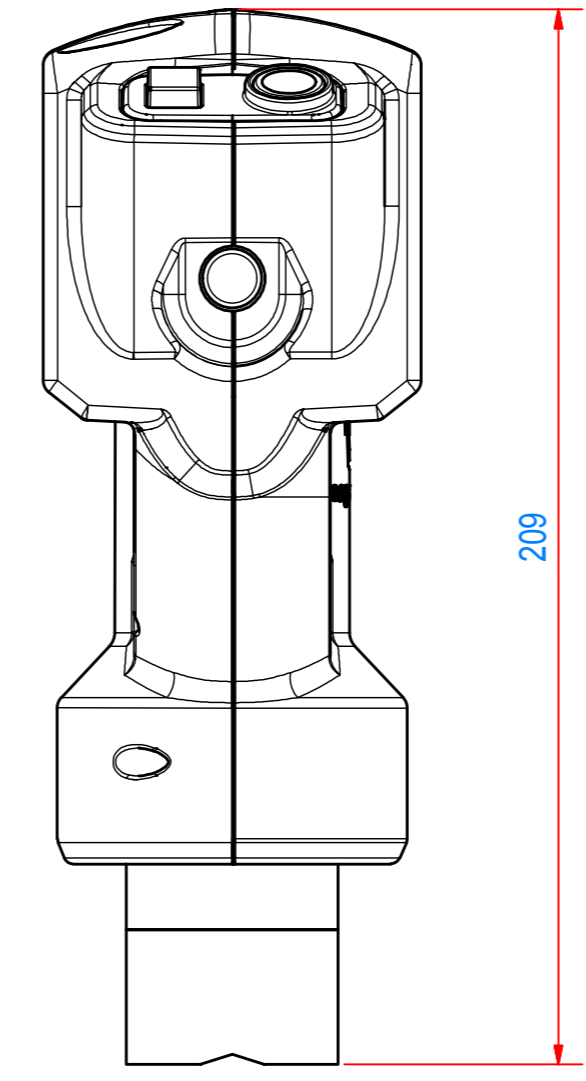
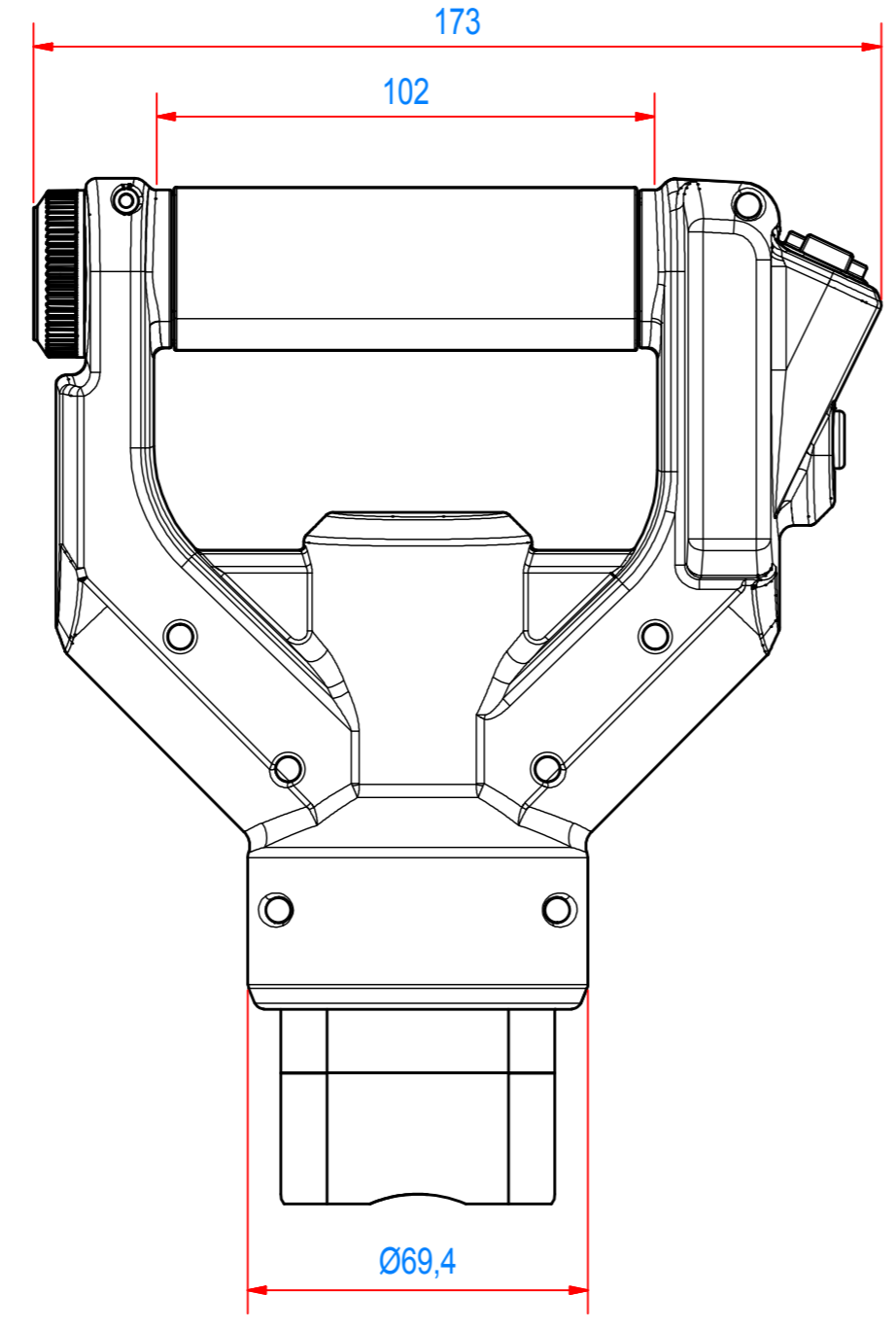
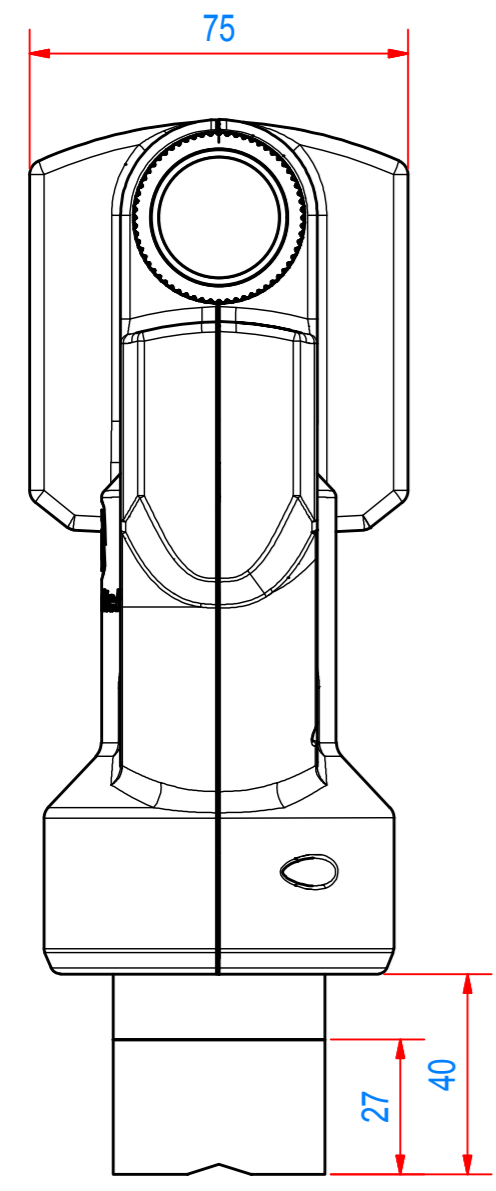
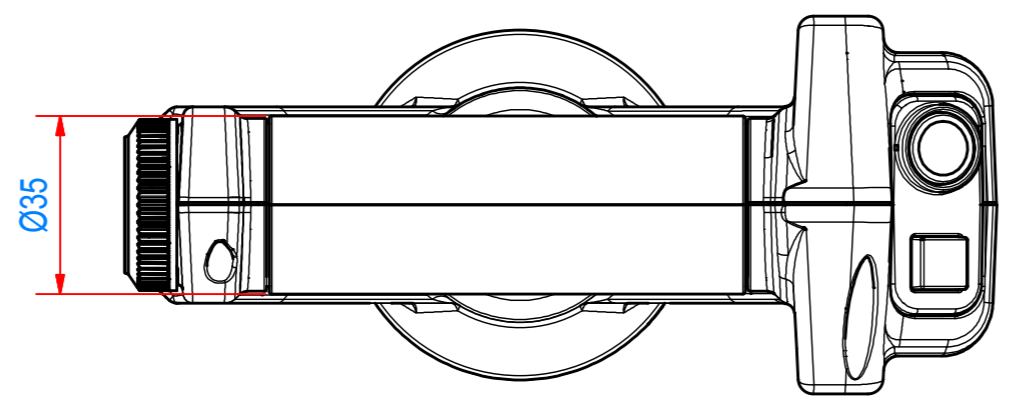


REV	DATE	BY	DESCRIPTION
-	7-2-2017	RM	ORIGINAL DRAWING (REF. DRAWING MS-8100385)



RAW MAT.	1			LENGTH (mm)	WIDTH (mm)
QTY		MAT. NUMBER	MAT. DESCRIPTION		
Sheet:	A2	Extra info:		General tolerance: ISO 2768- mK	
Drawn:	BS	Weight (kg):	1,1	Drawn according: ISO268; ISO1101; ISO2553	
Date:	7-2-2017	Goudsmit MAGNETIC SYSTEMS		Status: Standard	
Spare part:	False	© All rights reserved. Reproduction is not permitted without written permission of GOUDSMIT Magnetic Systems BV		Customer reference number:	
Quick search:	MS040X1	File number: MS-8100385		Rev: -	
Description:	HMS-HAND BATT LIFTER-60 CE-40	Part number: MS-8800487		Rev: -	