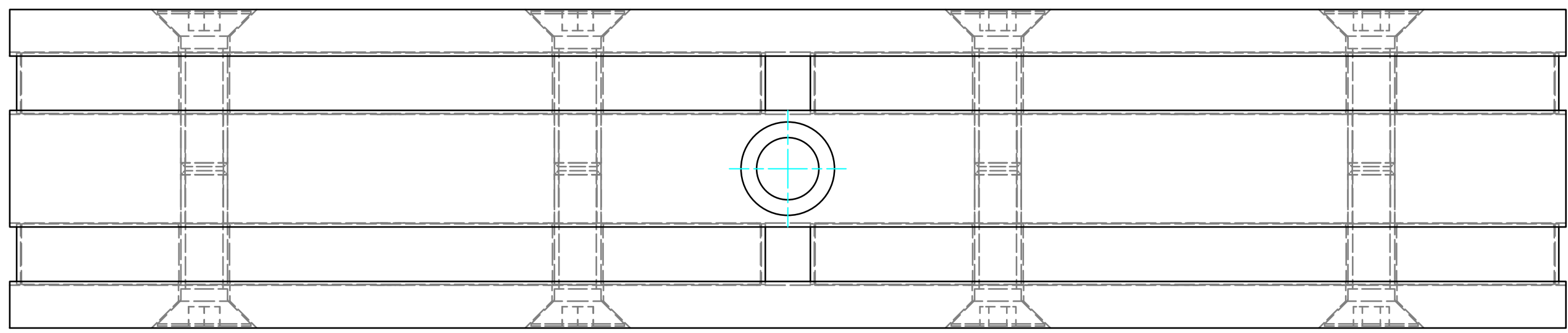
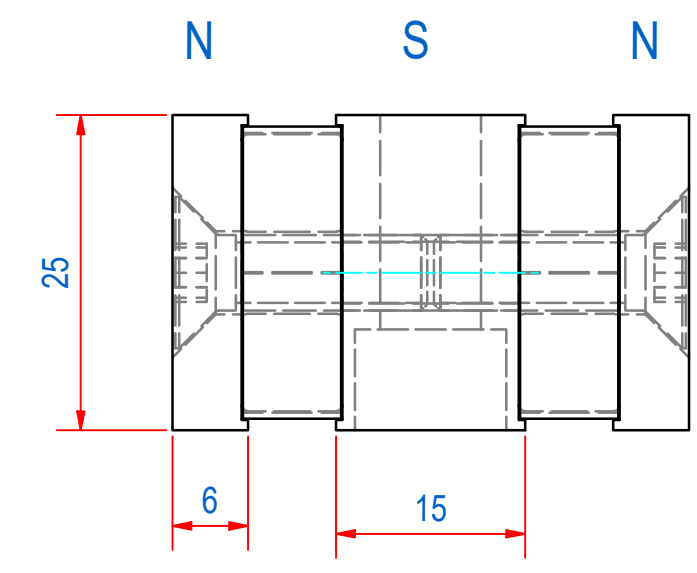
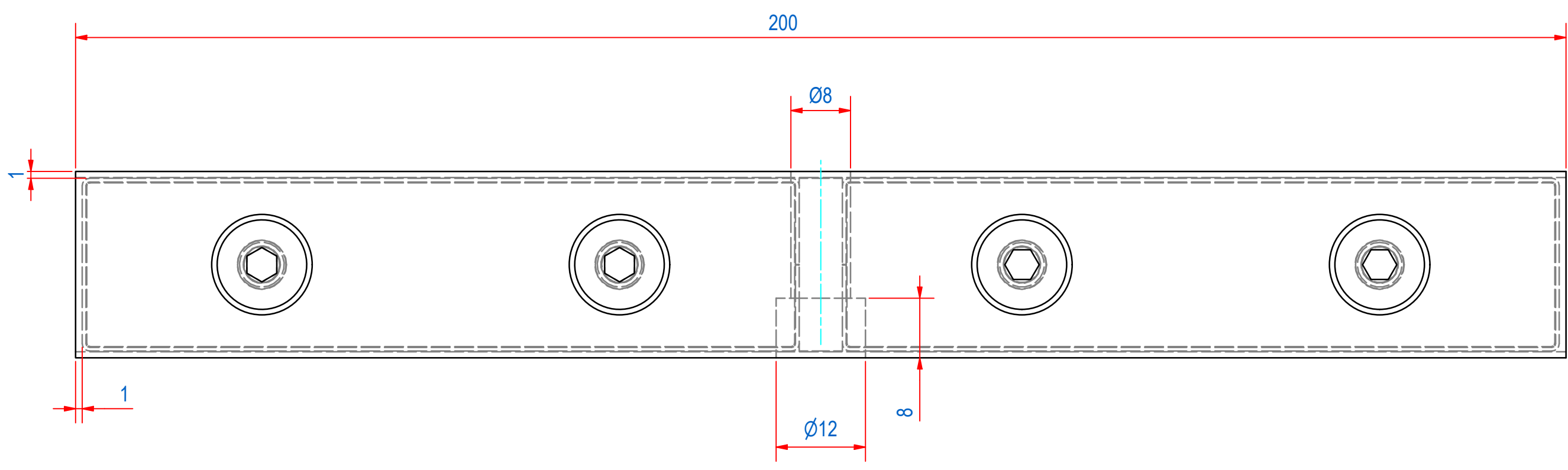
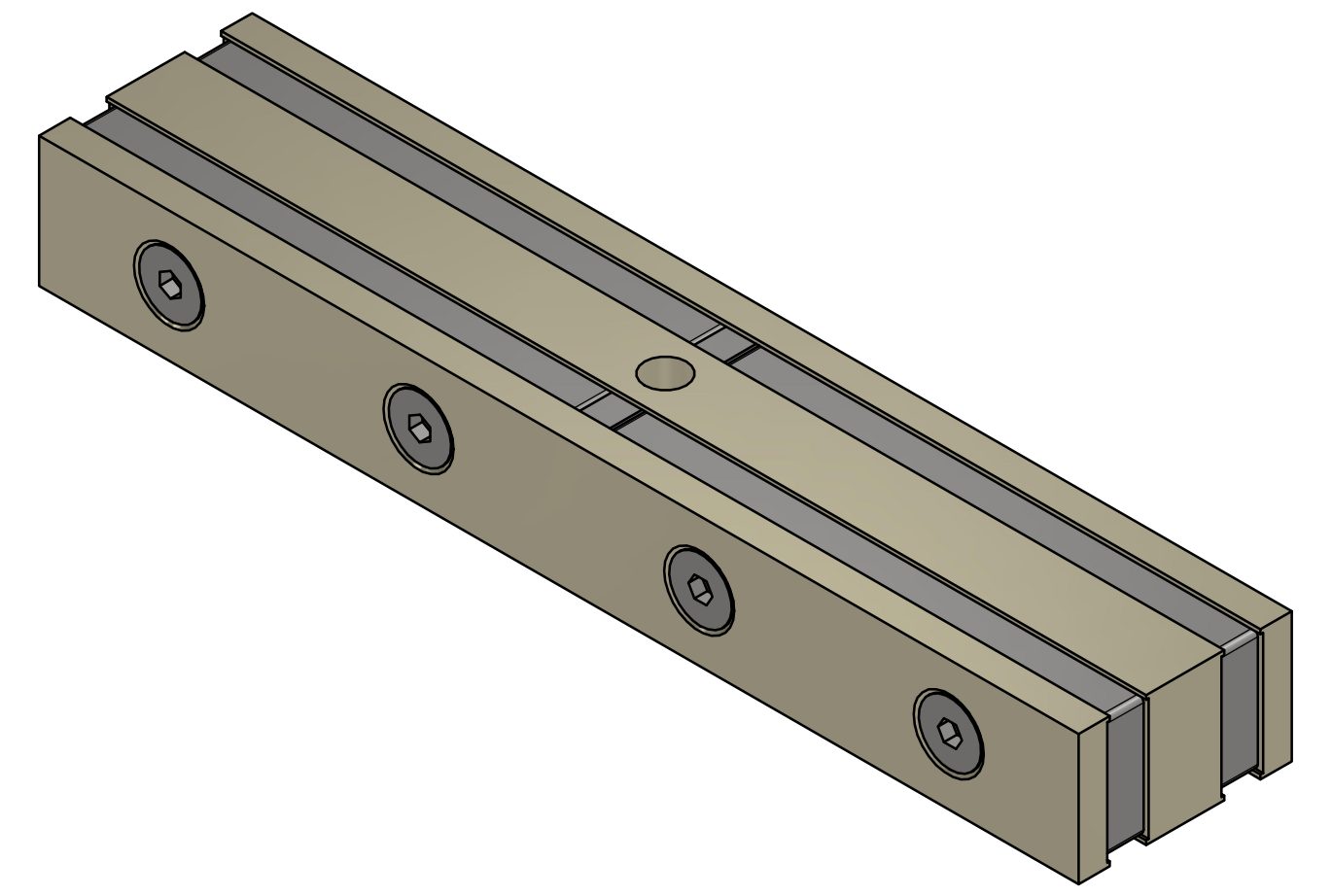
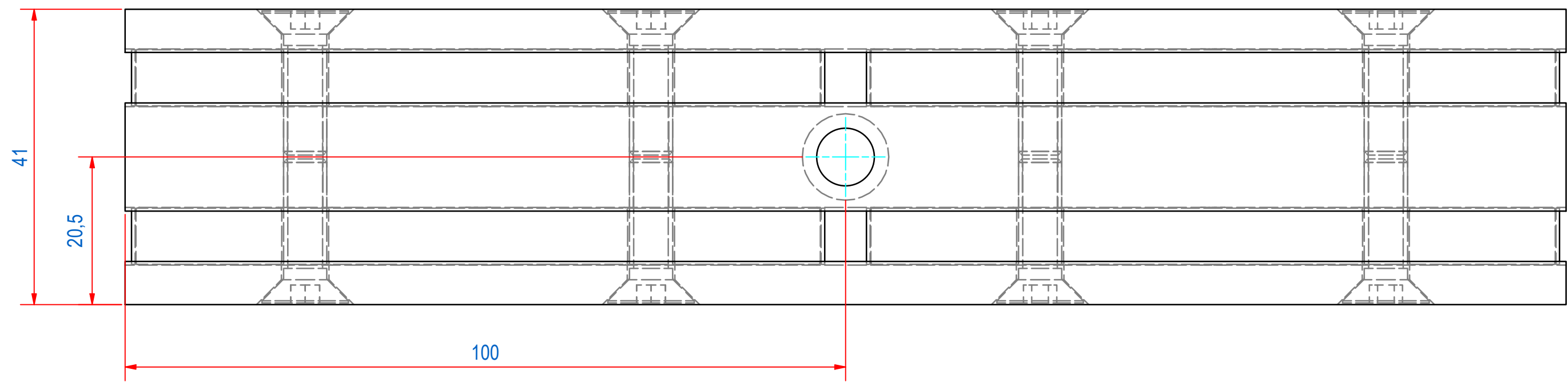


3	2	1		
DOC.NR.	REV	DATE	BY	DESCRIPTION
OFNR200405	-	30-5-2013	BS	NEW VAULT, NOTHING CHANGED, IS EQUAL TO OLD REVISION B
OFNR200405	A	6-4-2022	RW	NICKEL PLATING REMOVED



1	1	A120475	HOLDING MAGNET NEO 200	Dimensions	
ITEM	QTY	PART NUMBER	DESCRIPTION	Length (mm)	Width (mm)
RAW MAT.	1				
Quantity	Material Number	Material Description	General tolerance:	Length (mm)	Width (mm)
Sheet: A2	Weight (kg): 1,5	Extra info: SHUTTERING MAGNET	ISO 2768- mK		
Drawn: BS	Date: 21-12-2010	Source: MC-C	Drawn according: ISO286; ISO1101; ISO2553		
Spare part: False	Quick search: OB100001		Status: Standard		
			Customer reference number:	Document number: OFNR200405	Doc.Rev: A
				Part number: OFNR200405	Rev: A
				Description: HSM-N-041x25-200-CS-MH-B	