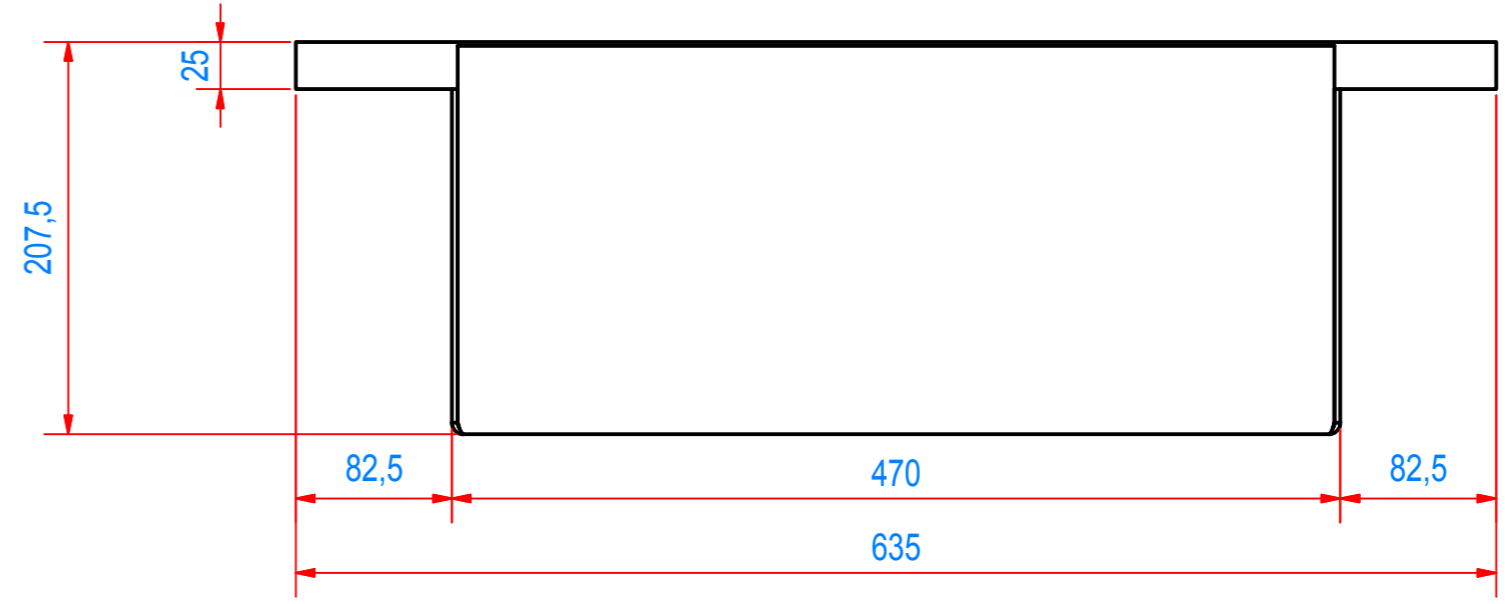
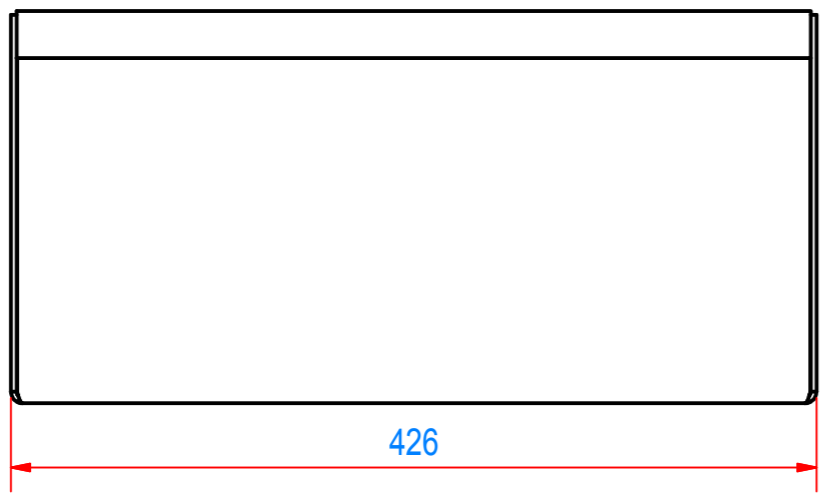
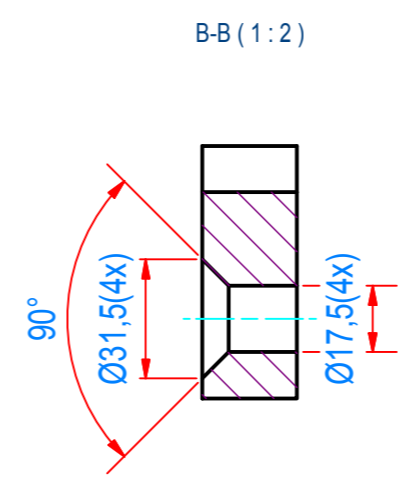
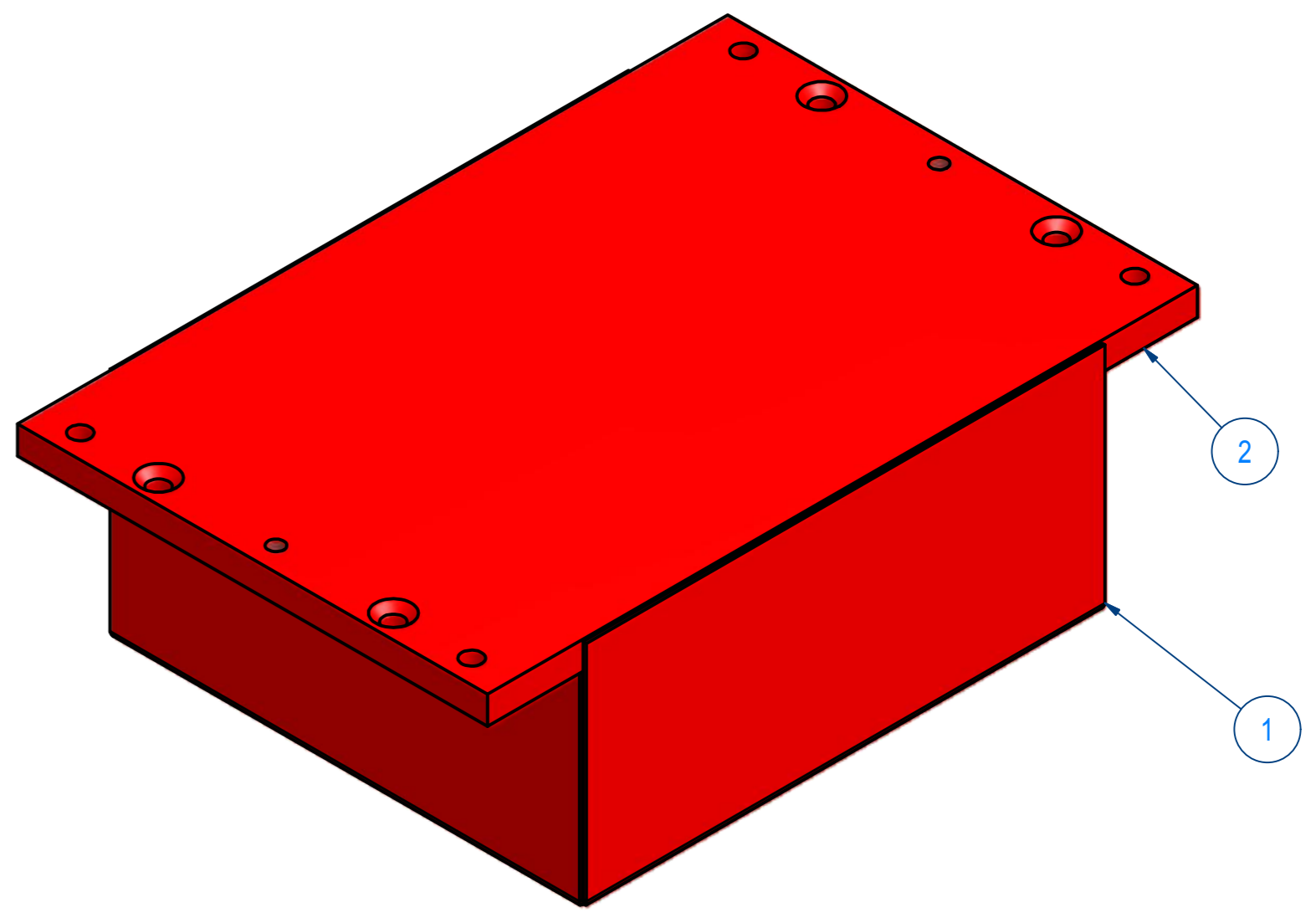
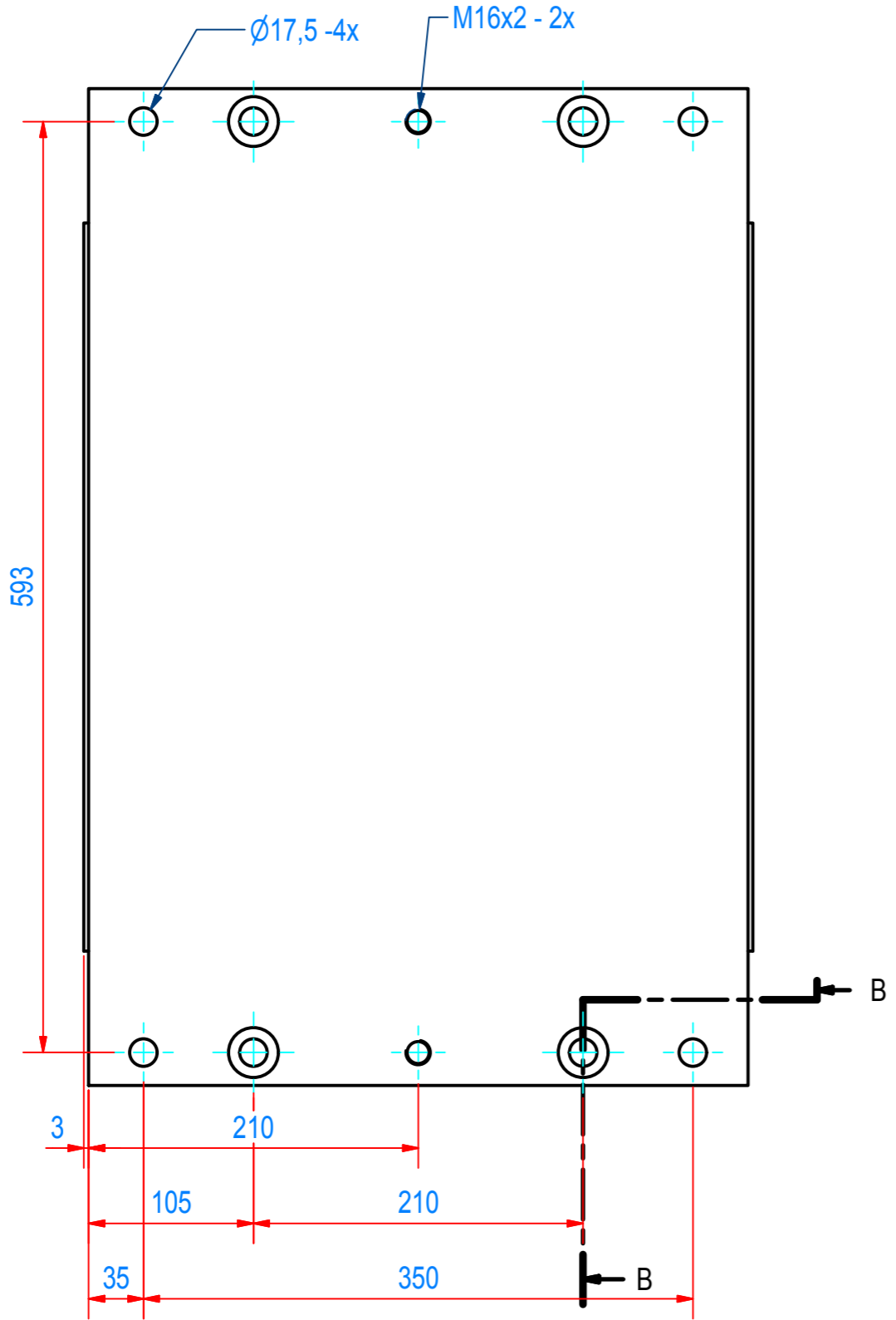


REV	DATE	BY	DESCRIPTION
A	12-01-2010	EK	ORIGINAL INVENTOR DRAWING =RBPF020600
B	31-03-2010	EK	WIDTH BASE PLATE CHANGED FROM 700 TO 635MM



Item	Quant	Ref. Nr.	Description	Dimensions
2	1	A200093	MAGNET SCHEME RBPF020400	
1	1	S200096	HOUSING RBPF020400	

Scale: 1:4	Sheet: A2	Order:	Qty: x
Drawn: EK	Date: 12-01-2010	Unit: st	Length: 0,426 m
Group: XRBP	Customer nr:	Height: 0,208 m	Width: 0,7 m
Title: PLATE MAGN FXD 470x207 L=426		Mass: 199,98 kg	Artnr: RBPF020400

GOUDSMIT
 www.goudsmit-magnetics.nl
 © All rights reserved. Reproduction is not permitted without written permission of GOUDSMIT MAGNETIC SYSTEMS BV.
 General Tolerance: ISO2768-cl
 Drawn Acc.: ISO268 ISO1101 ISO2553
 Title: PLATE MAGN FXD 470x207 L=426
 Artnr: RBPF020400
 Scale: 1:4
 Sheet: A2
 Order:
 Qty: x
 Drawn: EK
 Date: 12-01-2010
 Unit: st
 Length: 0,426 m
 Width: 0,7 m
 Group: XRBP
 Customer nr:
 Height: 0,208 m
 Mass: 199,98 kg
 Title: PLATE MAGN FXD 470x207 L=426
 Artnr: RBPF020400

Printed by EK on 31-03-2010 08:56