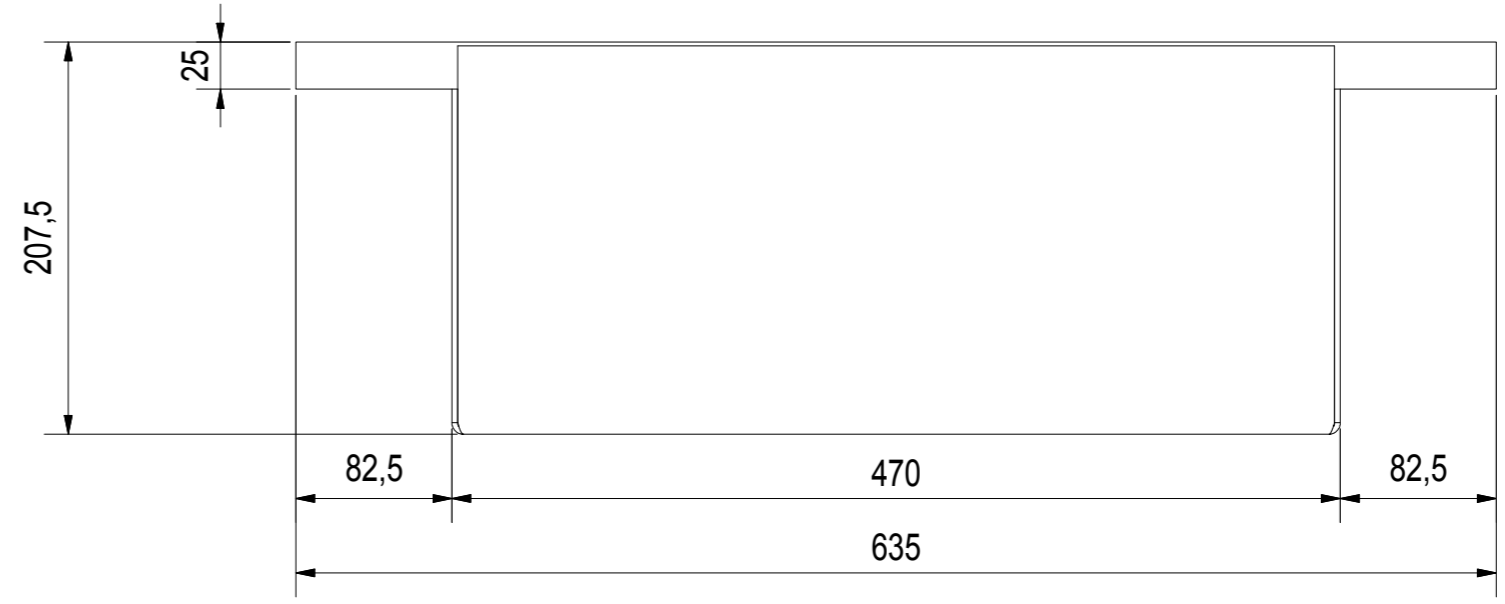
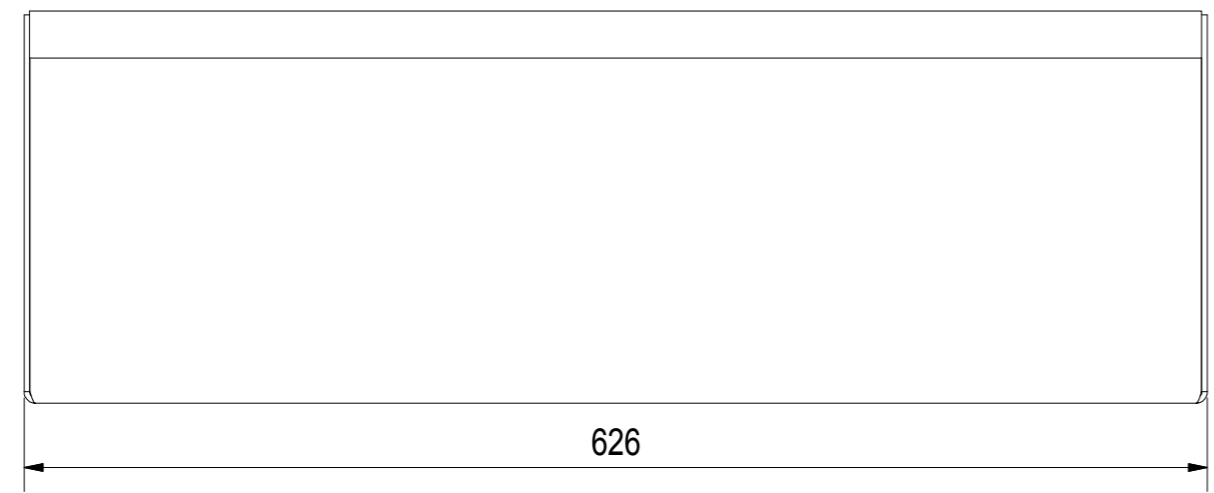
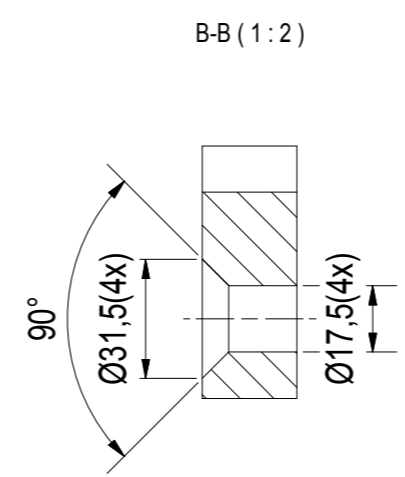
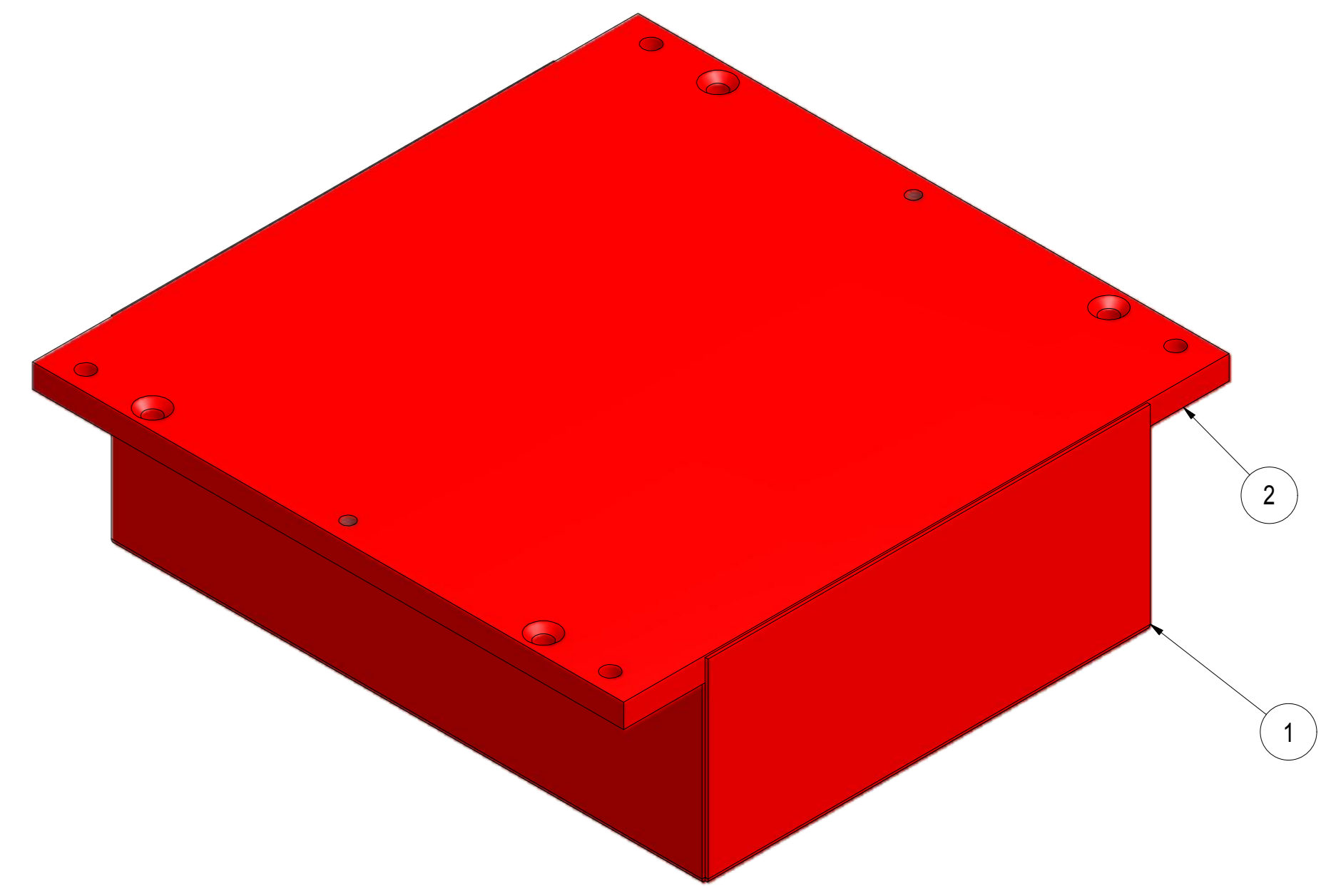
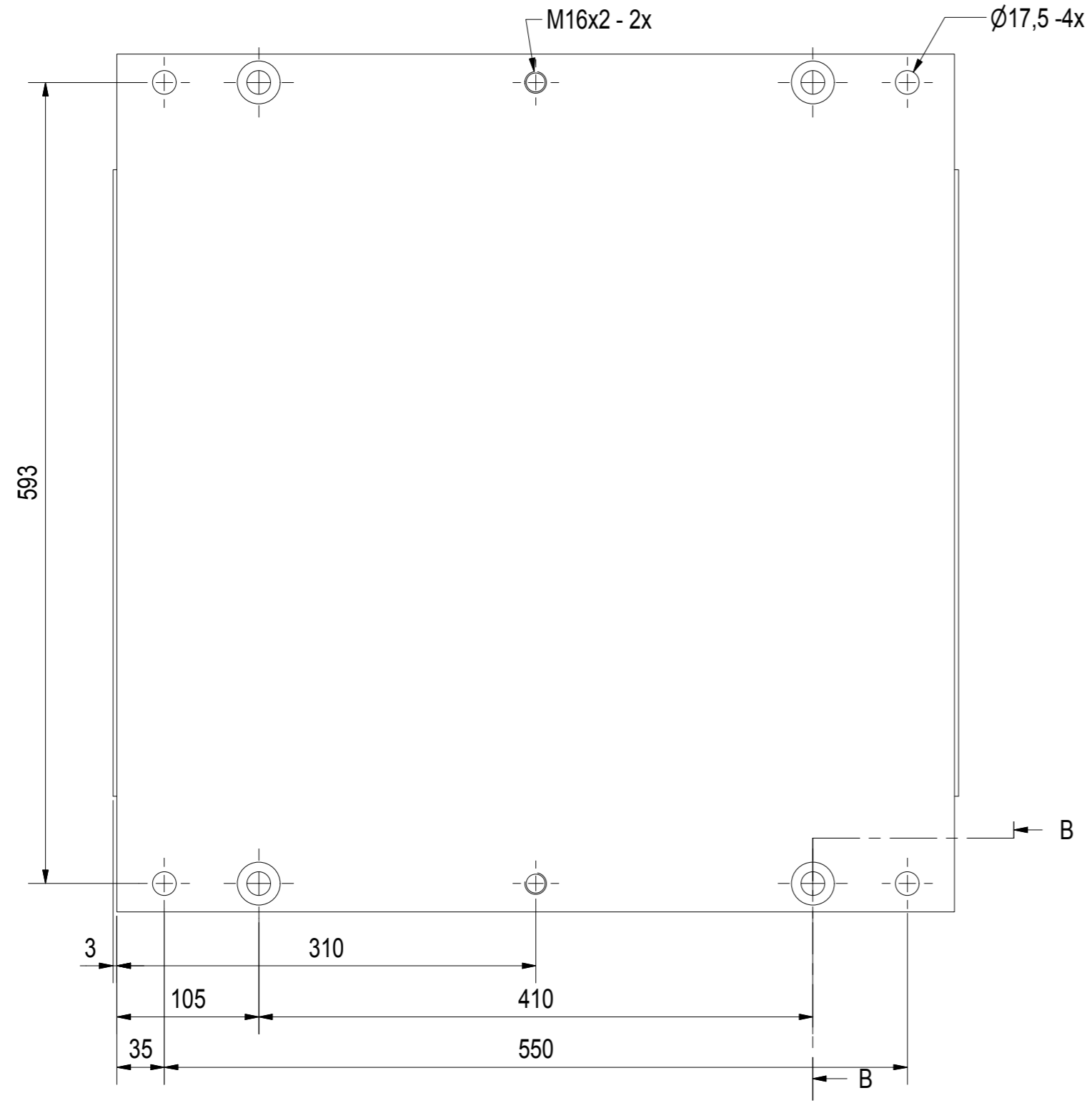


6	7	8
REV	DATE	BY
A	06-10-2009	EK
B	29-03-2010	EK
		DESCRIPTION
		REFERENCE DRAWING =SVMF060600
		WIDTH BASE PLATE CHANGED FROM 700 TO 635MM



2	1	A200061	MAGNET SCHEME RBPFO20600	
1	1	S200068	HOUSING RBPFO20600	
Item	Quant	Ref. Nr.	Description	Dimensions
Scale: 1:4		Sheet: A2	Order:	Qty: X
Drawn: EK	Date: 06-10-2009	Unit: st	Length: 0,626 m	Width: 0,7 m
Group: XRBP	Customer nr:	Height: 0,208 m	Mass: 296,50 kg	General Tolerance: ISO2768- cL Drawn Acc.: ISO268 ISO1101 ISO2553
Title:	PLATE MAGN FXD 470x207 L=626			Artnr: RBPFO20600
FIXINGPLATE COLOUR RED.RAL 3020				B

Printed by EK on 14/01/2010 14:32