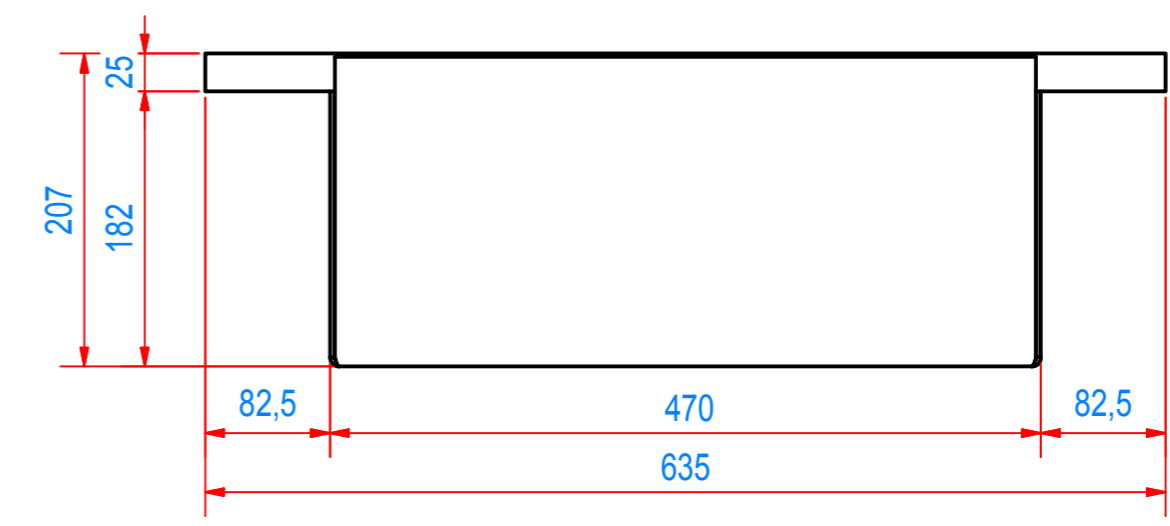
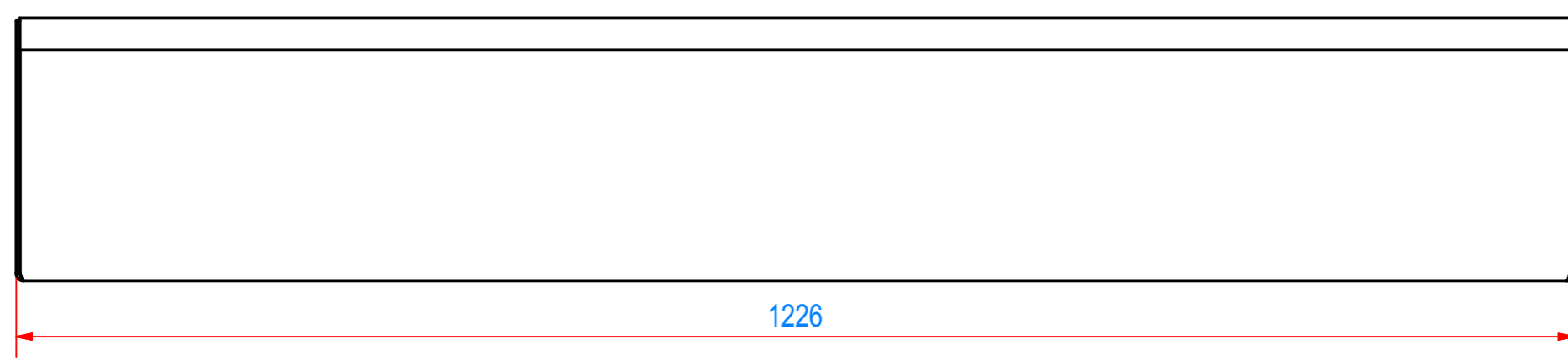
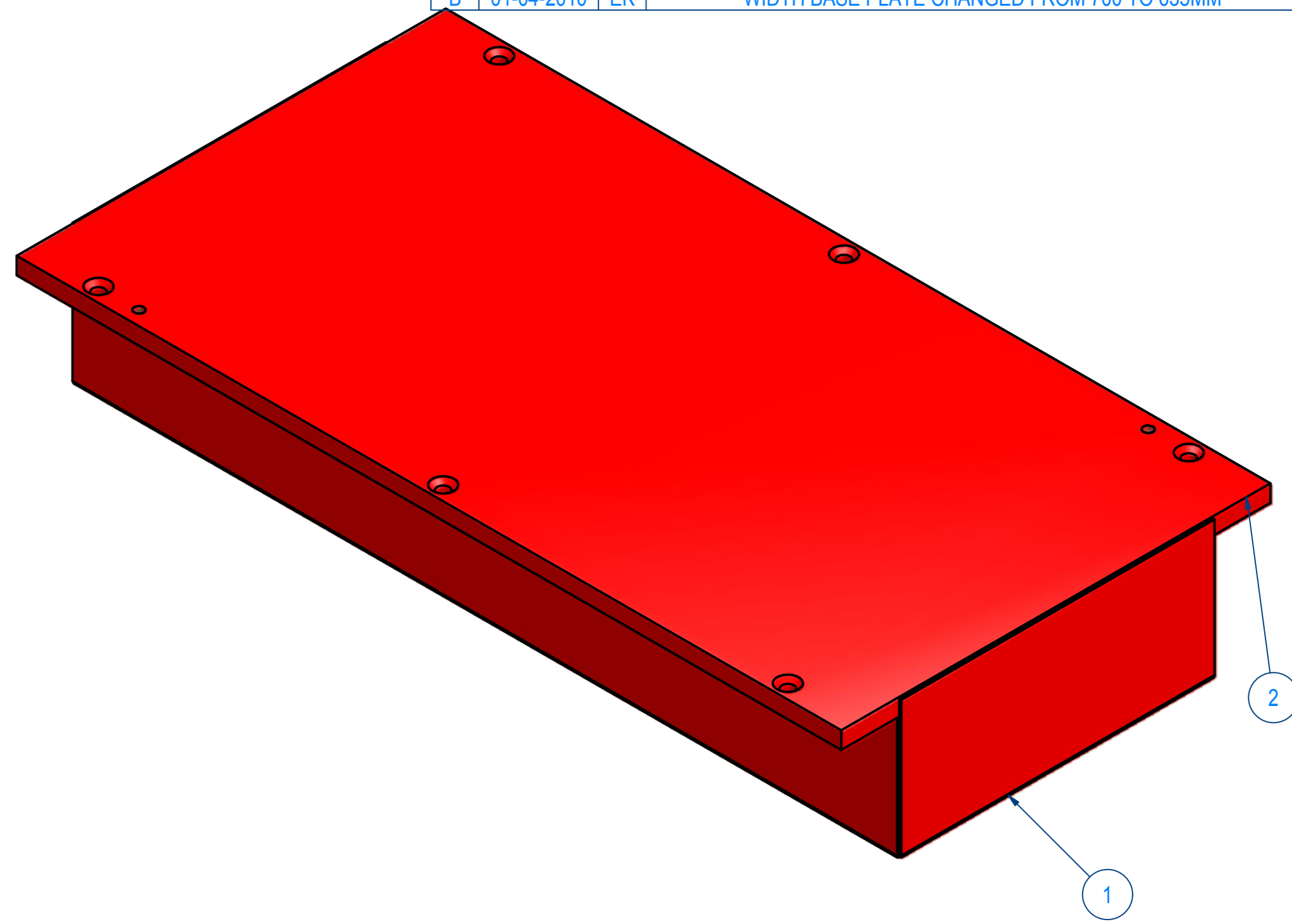
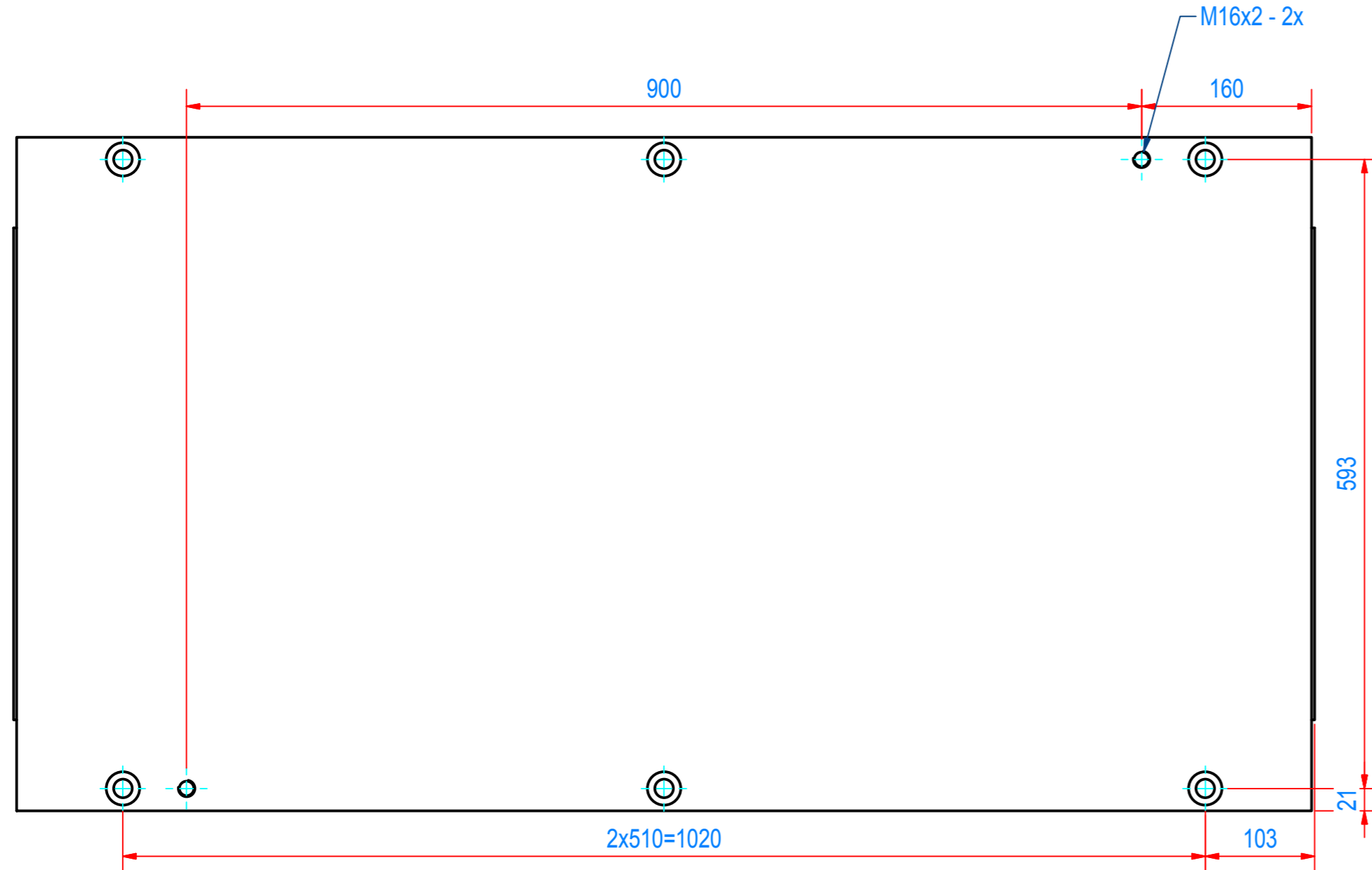


REV	DATE	BY	DESCRIPTION
A	12-01-2010	EK	ORIGINAL INVENTOR DRAWING =RBPF021000
B	01-04-2010	EK	WIDTH BASE PLATE CHANGED FROM 700 TO 635MM



2	1	A200091	MAGNET SCHEME RBPF021200	
1	1	S200091	HOUSING SVMF061200	
Item	Quant	Ref. Nr.	Description	Dimensions
Scale: 1:5		Sheet: A2	Order:	Qty: x
Drawn: EK	Date: 12-01-2010	Unit: st	Length: 1,226 m	Width: 0,7 m
Group: XRBP	Customer nr:	Height: 0,207 m	Mass: N/A	
Title: PLATE MAGN FXD 470x207 L=1226			Artnr: RBPF021200	B

GOUDSMIT
www.goudsmit-magnetics.nl
© All rights reserved. Reproduction is not permitted without written permission of GOUDSMIT MAGNETIC SYSTEMS BV

General Tolerance: ISO2768-cl
Drawn Acc.: ISO268 ISO1101 ISO2553

Printed by EK on 01-04-2010 09:57