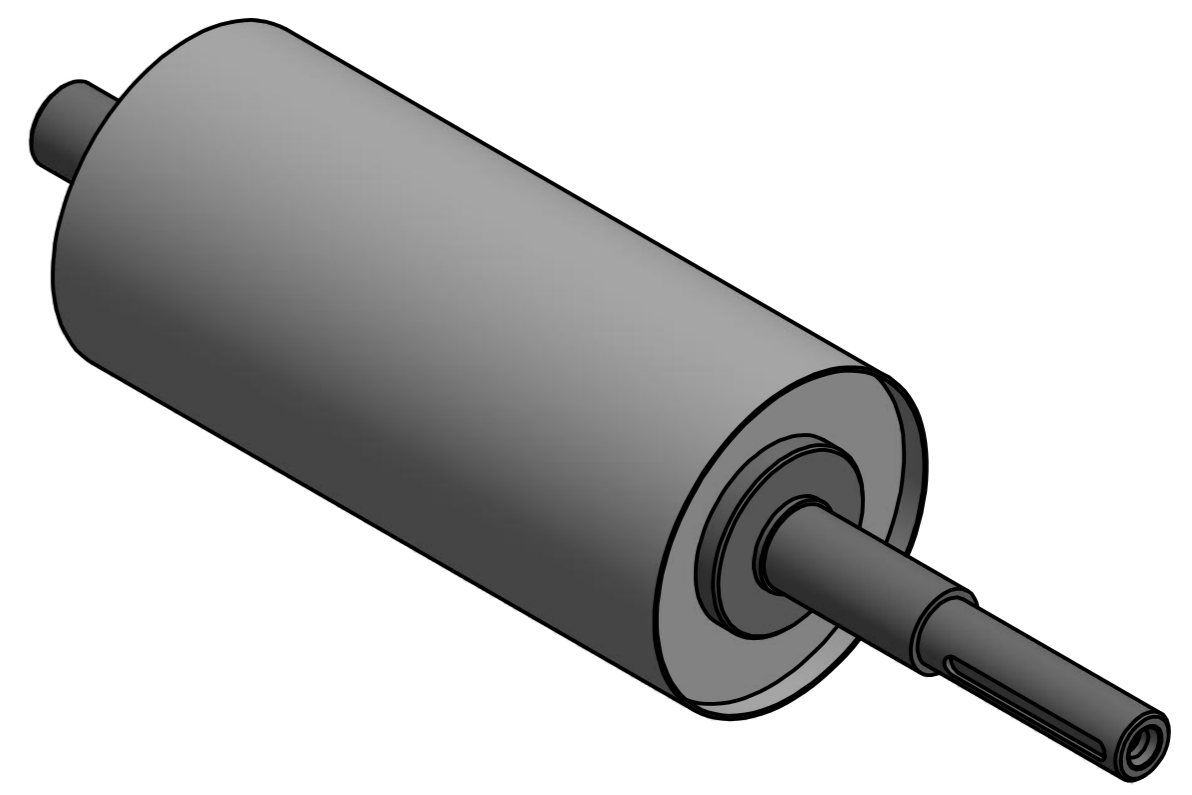
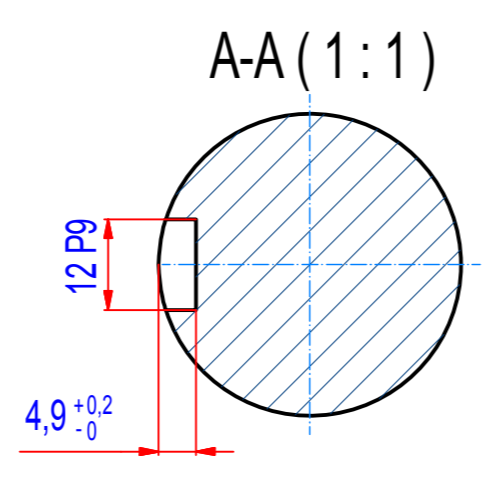
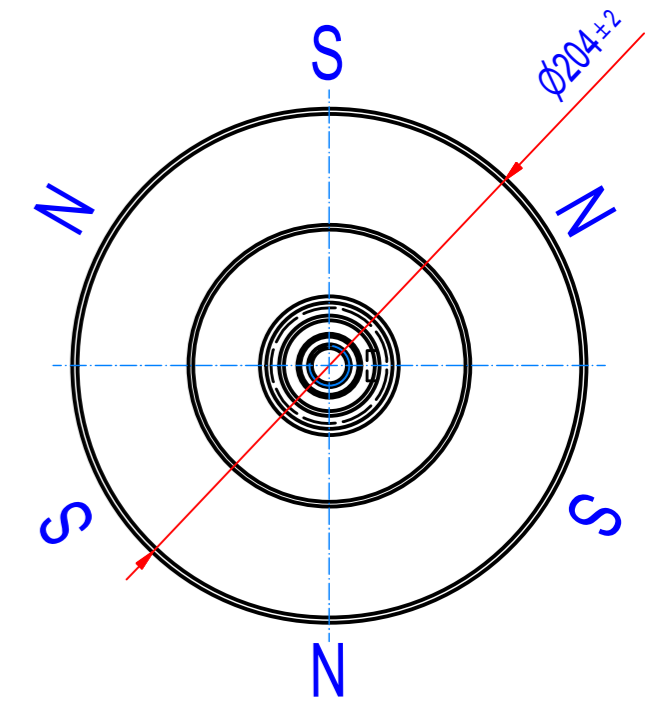
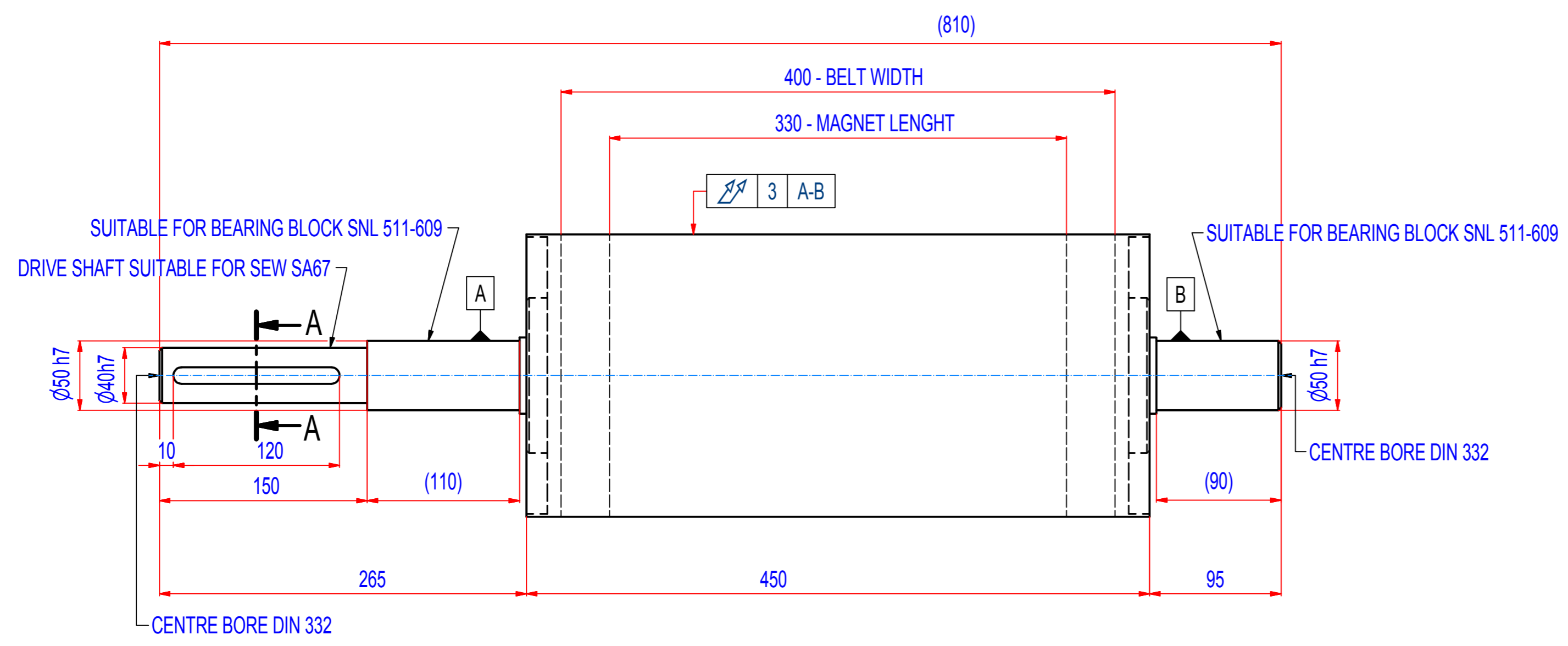


REV	BY	DATE	DESCRIPTION
A	JDL	19.2.2013	ORIGINAL DRAWING
B	PH	14.9.2016	CHANGE LENGHT - NEW STANDARD(450mm)



**SPECIFICATIONS**

- SUITABLE FOR BELT WIDTH: 400 mm
- MAGNET TYPE: Ferrite
- NUMBER OF POLES: 6
- SURFACE MAG. INTENSITY: 1800 Gauss
- SHAFT TYPE: NON REMOVABLE
- OVERALL WEIGHT: 68 kg
- CROWNING: NO
- RUBBER LAYER: NO

IF NOT SPECIFIED ON DRAWING, LINEAR DIMENSION TOLERANCES PER ISO 2768-1 CLASS C, GEOMETRICAL TOLERANCES PER ISO 2768-1 CLASS L

Sheet: A2	Extra info:	General tolerance: ISO 2768 - cL
Drawn: PH	Weight (kg): 68,0 kg	Drawn according: ISO268; ISO1101; ISO2553
Date: 15.9.2016		Status:
Scale: 1:3		Customer reference number:
Quick search: XRHR	© All rights reserved. Reproduction is not permitted without written permission of GOUDSMIT Magnetic Systems BV	Product key: RHP-F204A06-040-FSD-BA
Description: HEADROLLER Ferrite - D204 - W450		Part number: RHAFF20040000
		Rev: B