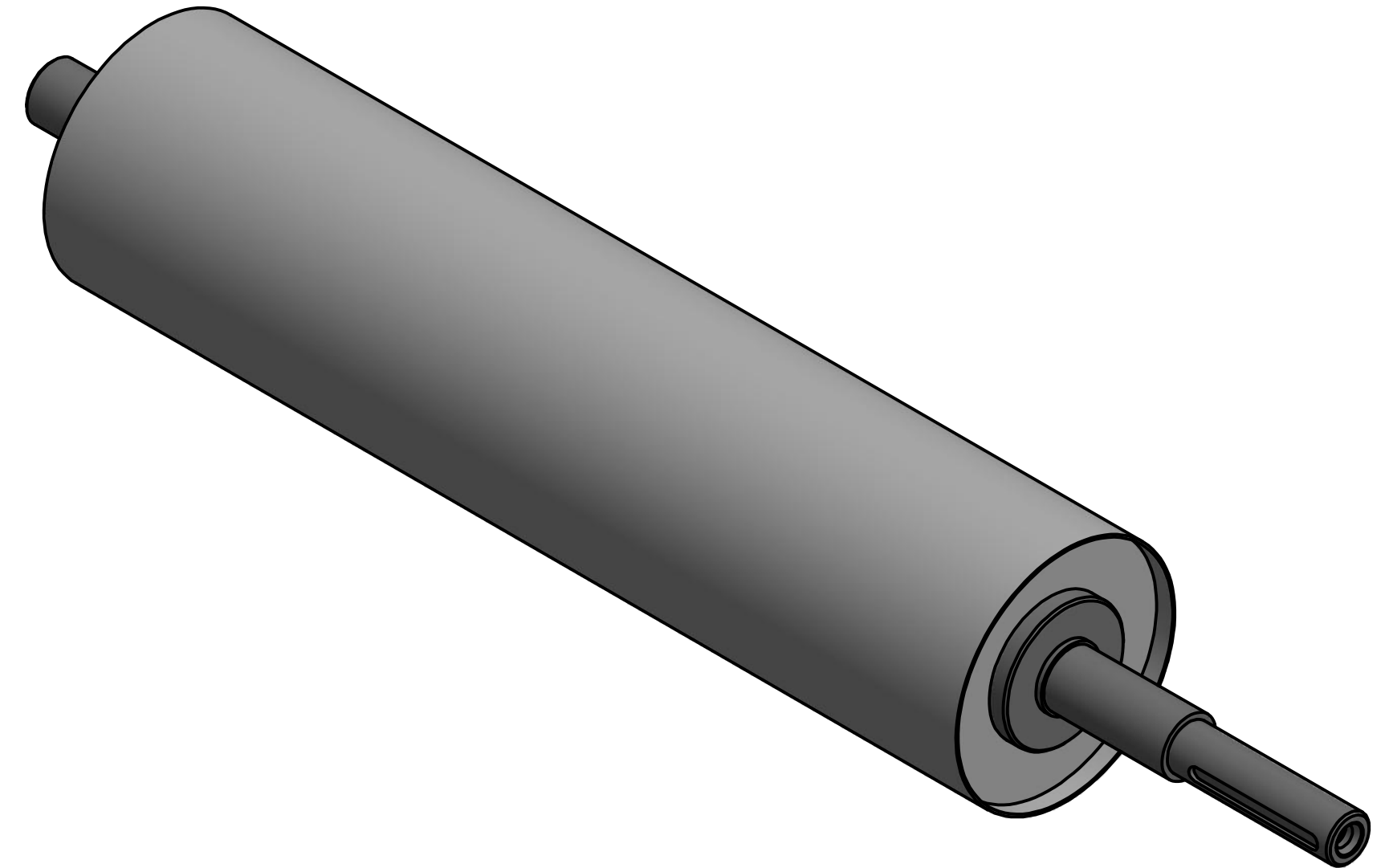
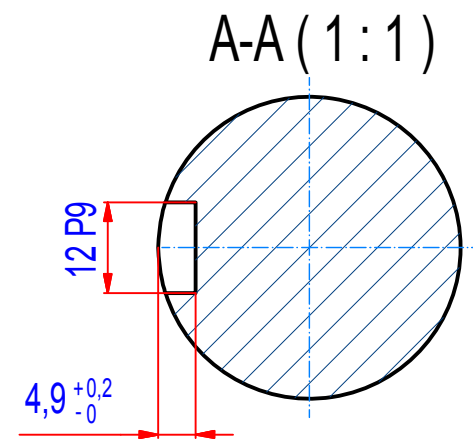
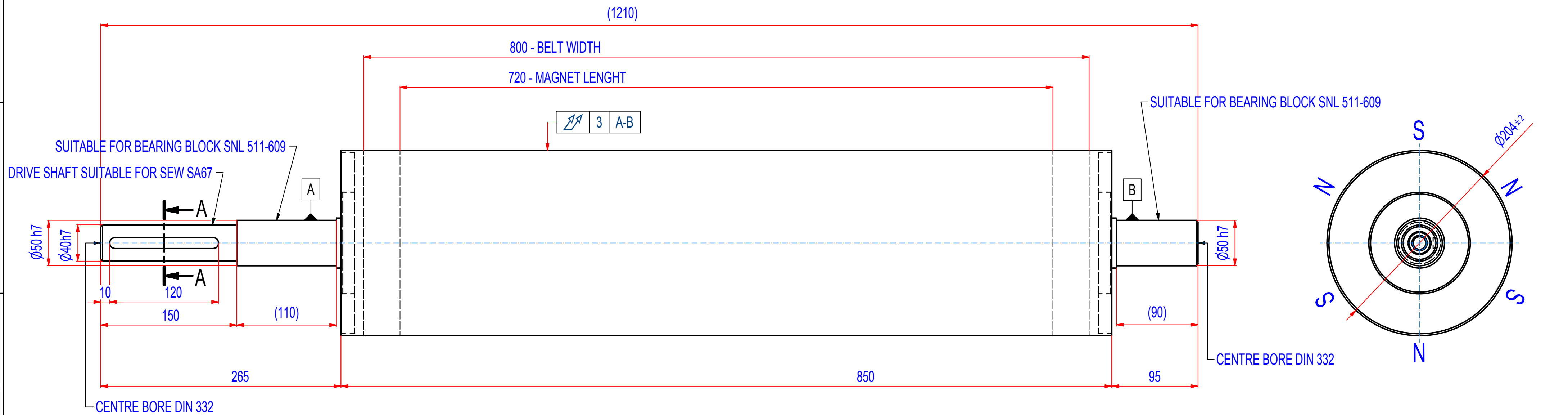


REV	BY	DATE	DESCRIPTION
A	JDL	20.2.2013	ORIGINAL DRAWING
B	MS	9.6.2015	CHANGE LENGHT - 850mm
C	PH	14.9.2016	NEW STANDARD LENGHT (850mm)



SPECIFICATIONS

- SUITABLE FOR BELT WIDTH: 800 mm
- MAGNET TYPE: Ferrite
- NUMBER OF POLES: 6
- SURFACE MAG. INTENSITY: 1800 Gauss
- SHAFT TYPE: NON REMOVABLE
- OVERALL WEIGHT: 138 kg
- CROWNING: NO
- RUBBER LAYER: NO

IF NOT SPECIFIED ON DRAWING, LINEAR DIMENSION TOLERANCES PER ISO 2768-1 CLASS C, GEOMETRICAL TOLERANCES PER ISO 2768-1 CLASS L

Sheet: A2	Extra info:	General tolerance: ISO 2768 - cL
Drawn: PH	Weight (kg): 138,0 kg	Drawn according: ISO268; ISO1101; ISO2553
Date: 15.9.2016		Status:
Scale: 1:3		Customer reference number:
Quick search: XRHR	© All rights reserved. Reproduction is not permitted without written permission of GOUDSMIT Magnetic Systems BV	Product key: RHP-F204A06-080-FSD-BA
Description: HEADROLLER Ferrite - D204 - W850		Part number: RHAf20080000
		Rev: C