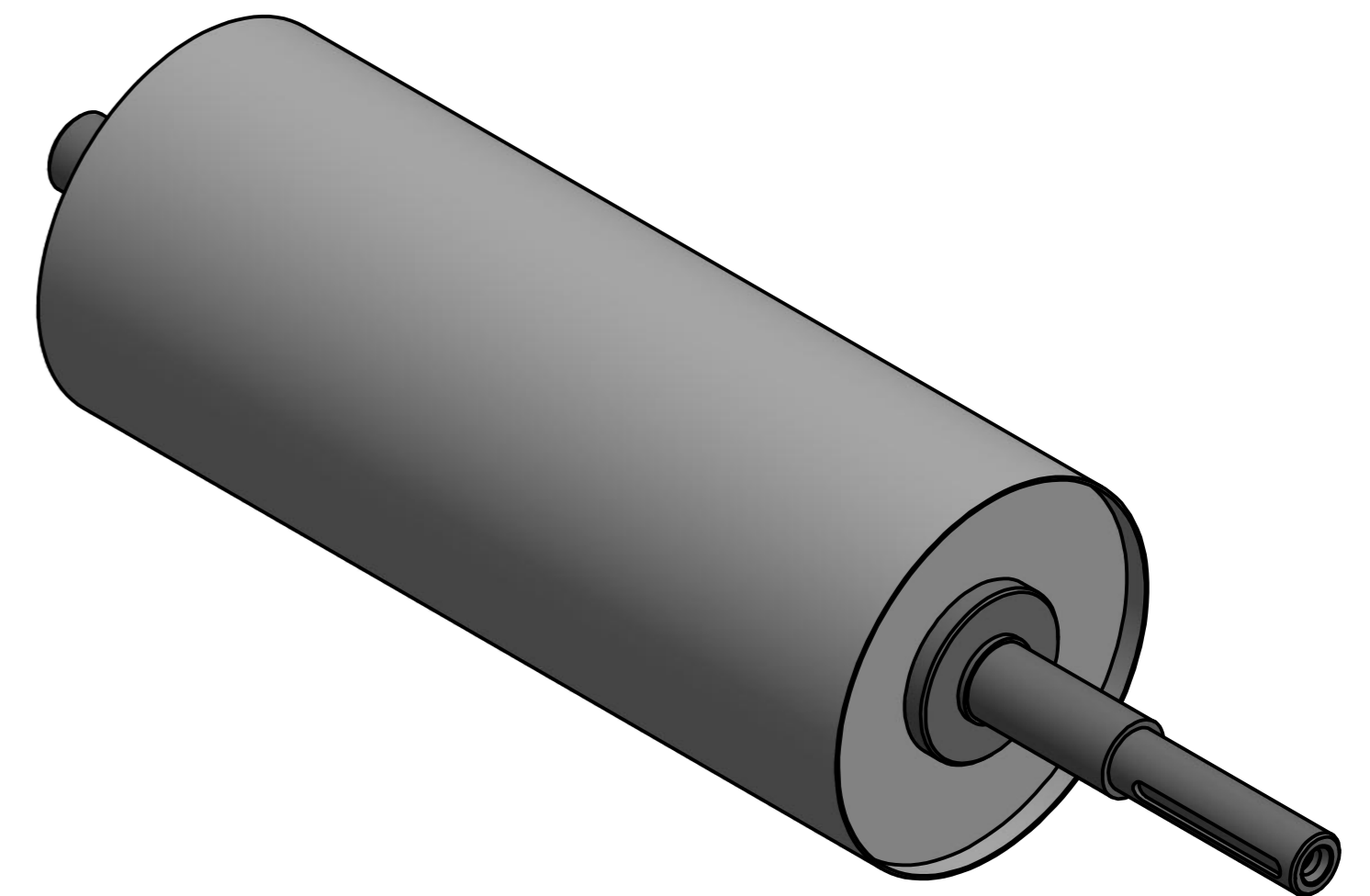
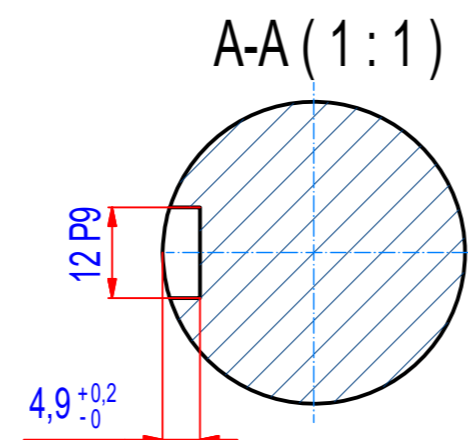
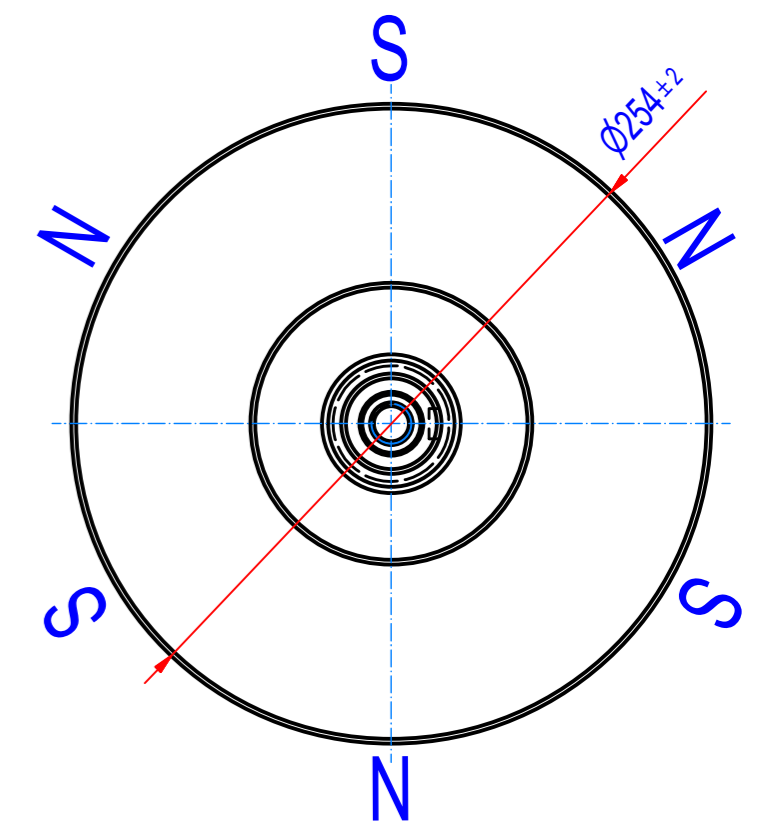
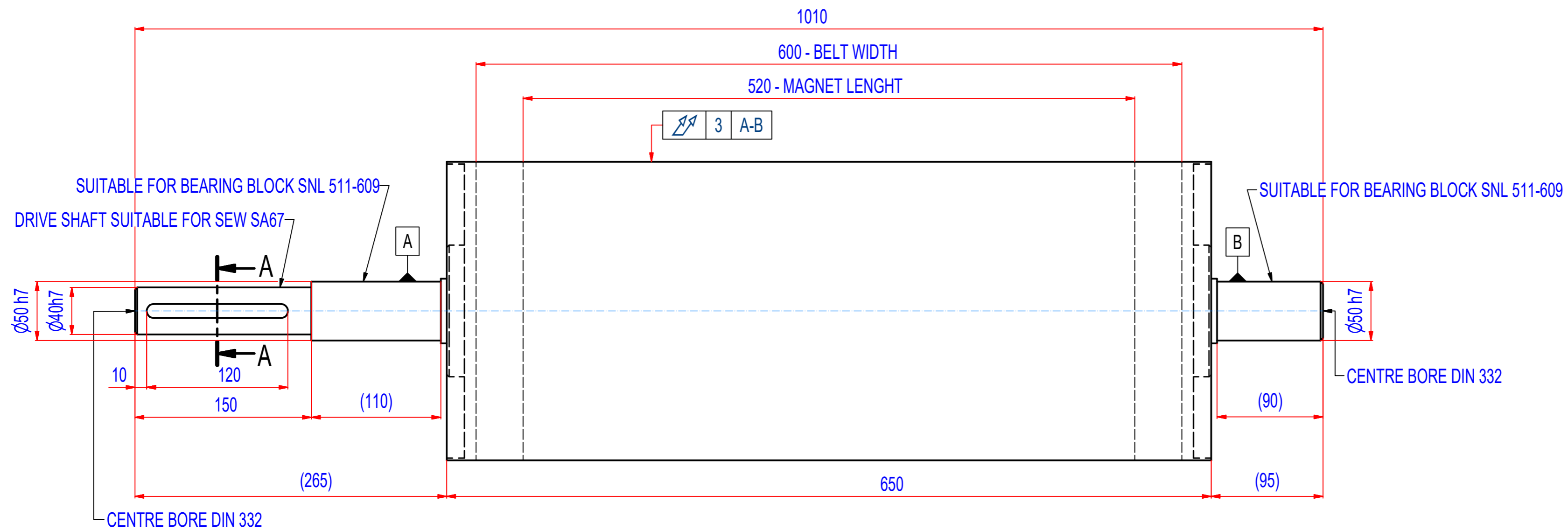


REV	DATE	BY	DESCRIPTION
A	11.2.2013	JDL	ORIGINAL DRAWING
B	9.11.2016	PH	CHANGE LENGHT - NEW STANDARD(650mm)



SPECIFICATIONS

- SUITABLE FOR BELT WIDTH: 600 mm
- MAGNET TYPE: Ferrite
- NUMBER OF POLES: 6
- SURFACE MAG. INTENSITY: 1800 Gauss
- SHAFT TYPE: REMOVABLE,EQUIPPED WITH CLAMP BUSHINGS
- OVERALL WEIGHT: 134 kg
- CROWNING: NO
- RUBBER LAYER: NO

IF NOT SPECIFIED ON DRAWING, LINEAR DIMENSION TOLERANCES PER ISO 2768-1 CLASS C , GEOMETRICAL TOLERANCES PER ISO 2768-1 CLASS L

Sheet: A2	Extra info:	Počet listů 1/1	General tolerance: ISO 2768 - cL
Drawn: PH	Weight (kg): 134		Drawn according: ISO268; ISO1101; ISO2553
Date: 25.02.2019			Status:
Predecessor:			Customer reference number:
Quick search: XRHR D254			Product key: RHP-F254A06-060-RSD-BA
Description: Magnetický válec, Ferit, D254 - W650			Part number: RHAf25060000
			Rev: B



© All rights reserved. Reproduction is not permitted without written permission of WAMAG, spol. s r.o.