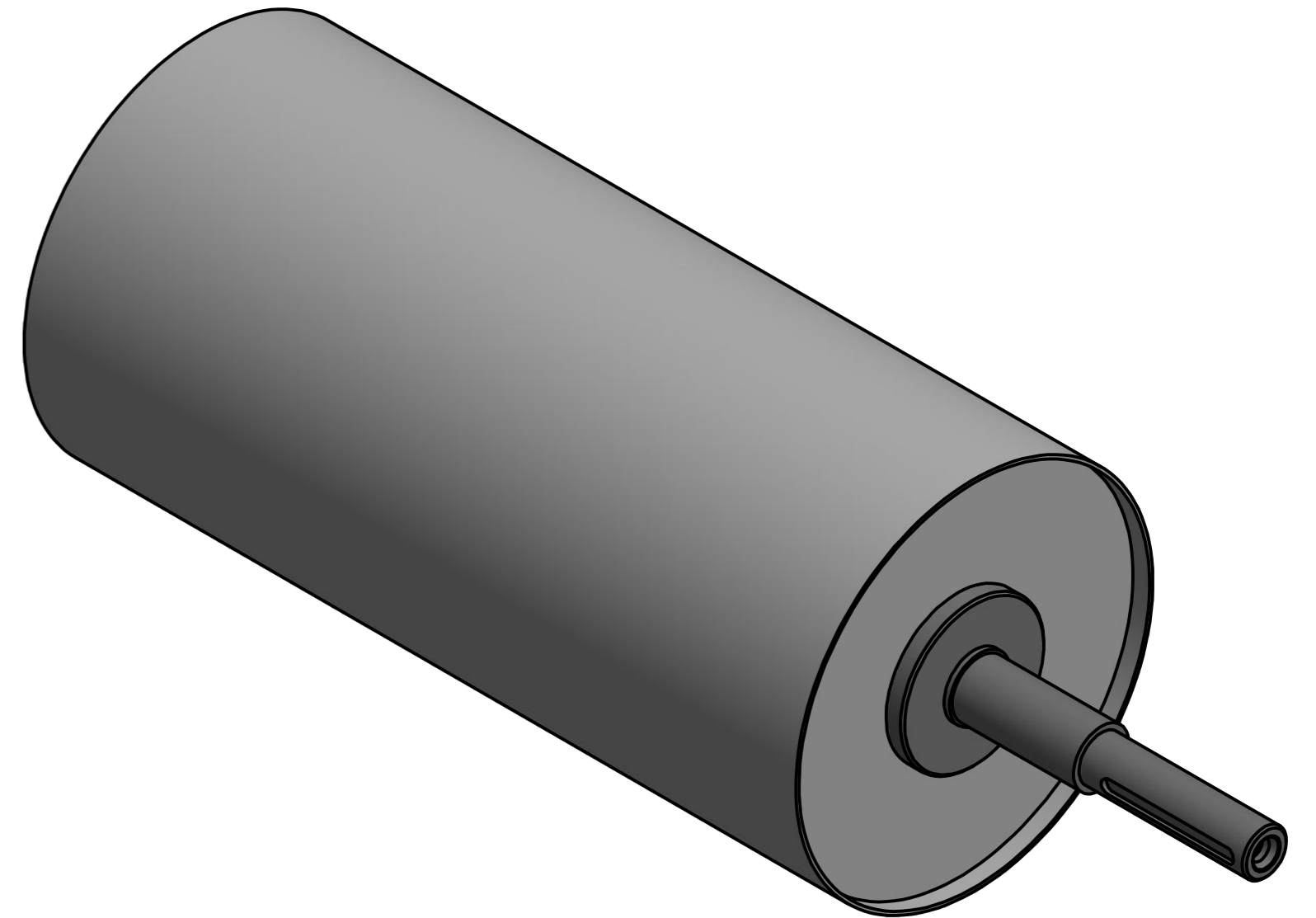
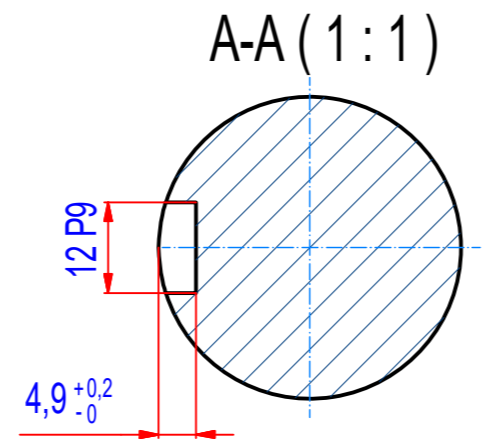
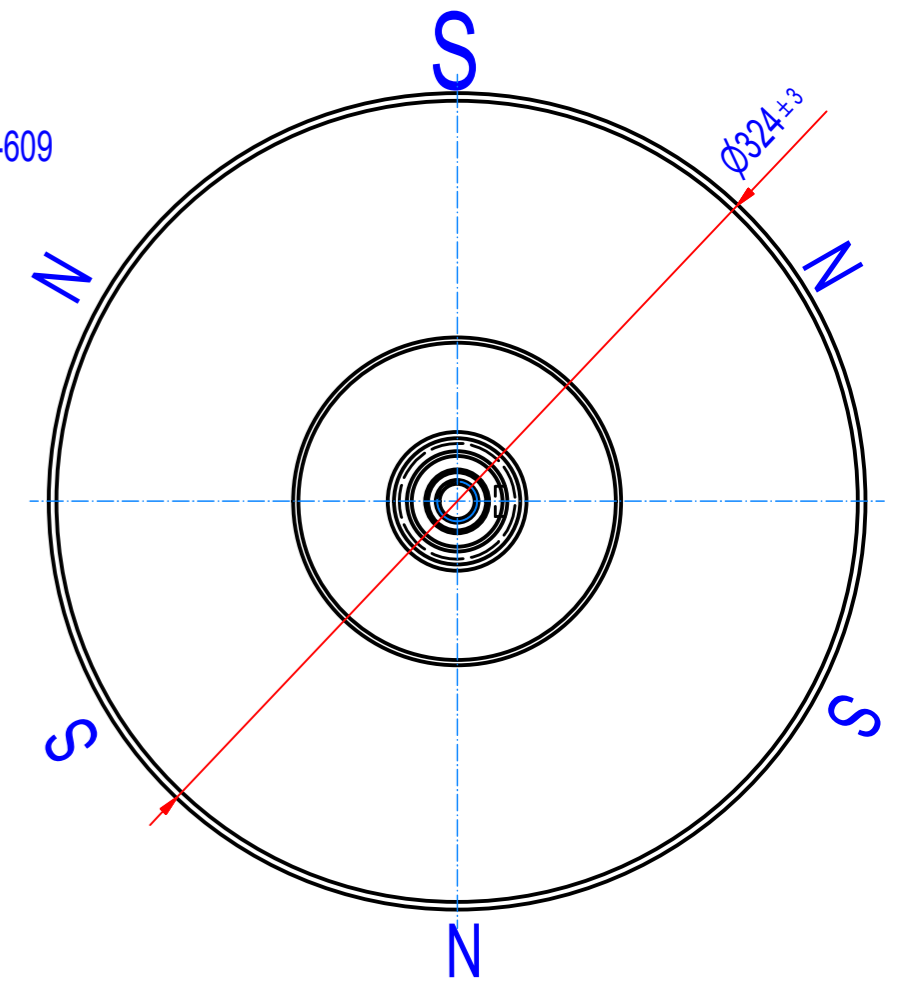
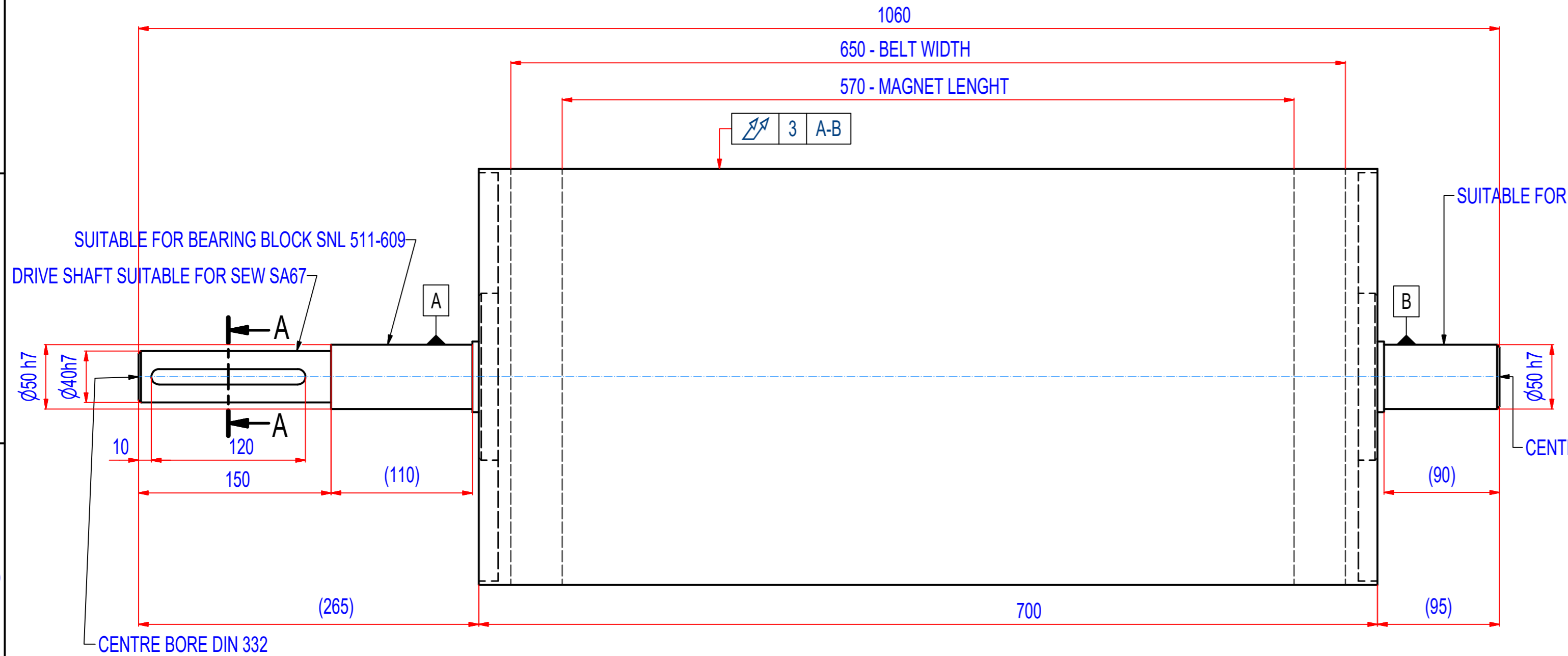


REV	DATE	BY	DESCRIPTION
A	7.2.2013	JDL	ORIGINAL DRAWING
B	9.11.2016	PH	CHANGE LENGTH - NEW STANDARD(700mm)



SPECIFICATIONS

- SUITABLE FOR BELT WIDTH: 650 mm
- MAGNET TYPE: Ferrite
- NUMBER OF POLES: 6
- SURFACE MAG. INTENSITY: 1800 Gauss
- SHAFT TYPE: REMOVABLE, EQUIPPED WITH CLAMP BUSHINGS
- OVERALL WEIGHT: 219 kg
- CROWNING: NO
- RUBBER LAYER: NO

IF NOT SPECIFIED ON DRAWING, LINEAR DIMENSION TOLERANCES PER ISO 2768-1 CLASS C, GEOMETRICAL TOLERANCES PER ISO 2768-1 CLASS L

Sheet: A2	Extra info:	General tolerance: ISO 2768 - cL
Drawn: PH	Weight (kg): 219	Drawn according: ISO268; ISO1101; ISO2553
Date: 25.02.2019	<p>© All rights reserved. Reproduction is not permitted without written permission of GOUDSMIT Magnetic Systems BV</p>	Status:
Predecessor:		Customer reference number:
Quick search: XRHR D324	Product key: RHP-F324A08-065-RSD-BA	Part number: RHAf32065000
Description: Magnetic headroller, Ferrite, D324 - W700		Rev: B