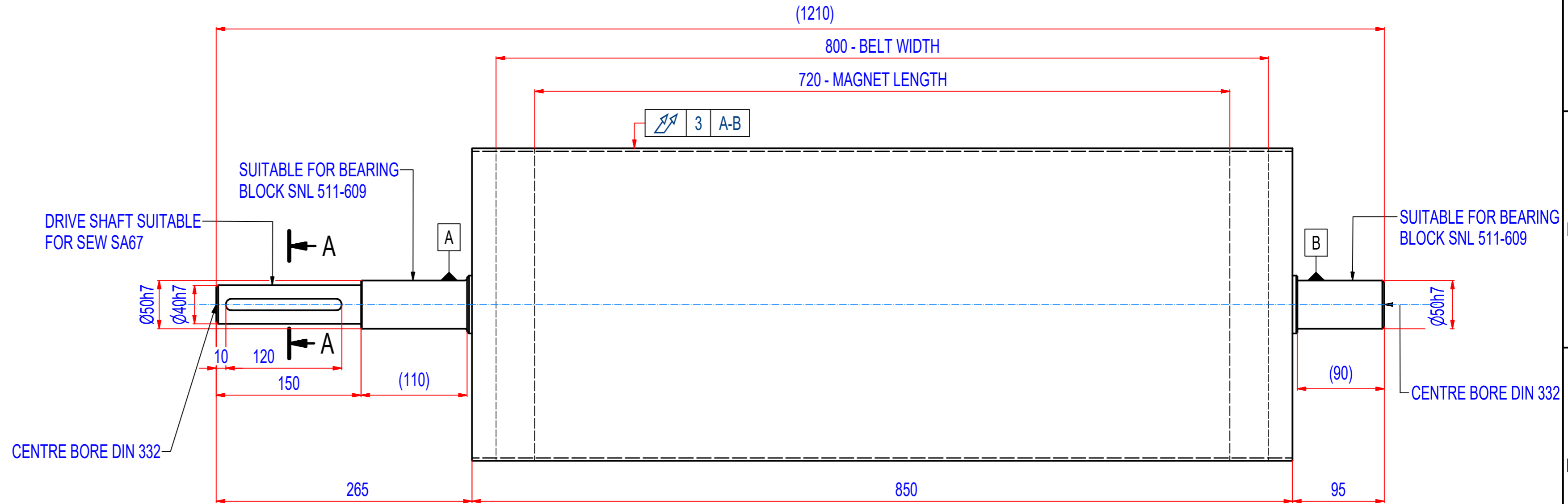
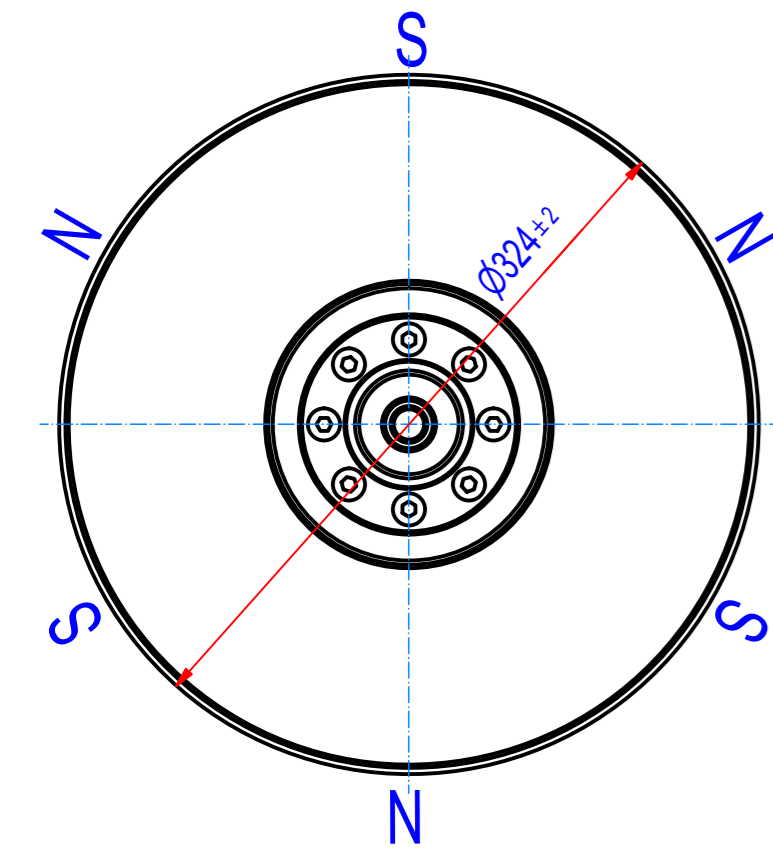
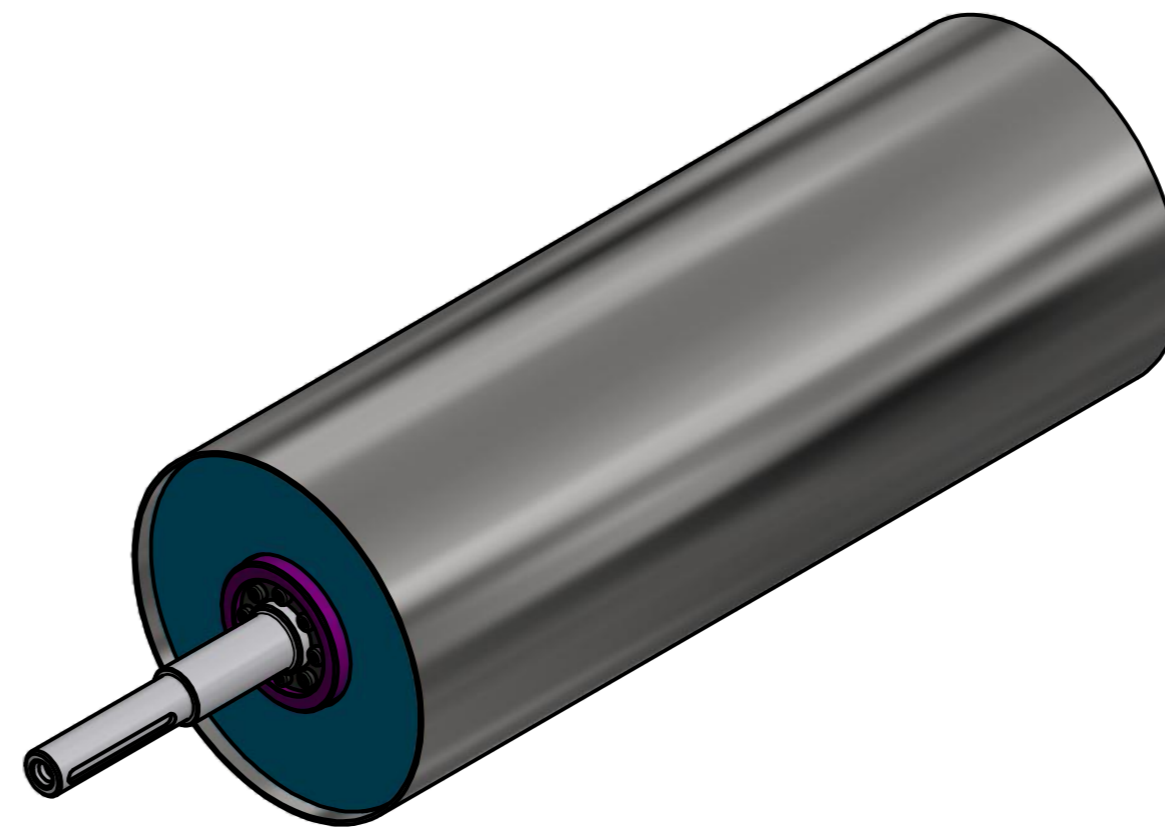
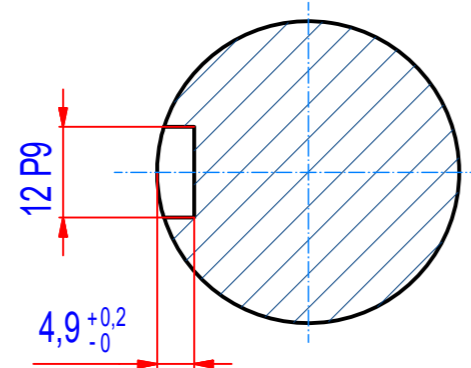


REV	BY	DATE	DESCRIPTION
A	JDL	7.2.2013	ORIGINAL DRAWING
B	LF	2.12.2013	MAX. TORQUE 650 Nm
C	PH	9.11.2016	NEW STANDARD LENGTH (850 mm)



A-A (1:1)



SPECIFICATIONS

SUITABLE FOR BELT WIDTH: 800 mm

MAGNET TYPE: Ferrite

NUMBER OF POLES: 6

SURFACE MAG. INTENSITY: 1800 Gauss

SHAFT TYPE: REMOVABLE SHAFT, WITH CLAMPING BUSHES

OVERALL WEIGHT: 270 kg

CROWNING: NO

RUBBER LAYER: NO

-CLAMPING BUSHES RCK16 60x90
TIGHTENING TORQUE 41 Nm

POZ./POS.	Č. SOUČÁSTI/ PART NUMBER	POPIS / DESCRIPTION	HMOT./ WEIGHT
1	A166_000000	Magnetický válec, Ferit, D324 - W850	270,4
Sheet: A2 Drawn: EN Date: 14.06.2017 Predecessor:		Extra info: GOUDSMIT MAGNETIC SYSTEMS <small>© All rights reserved. Reproduction is not permitted without written permission of GOUDSMIT Magnetic Systems BV</small>	General tolerance: ISO 2768 - cL Drawn according: ISO268; ISO1101; ISO2553 Status: Customer reference number: Product key: RHP-F324A06-080-RSD-BA Part number: RHA32080000 Rev: C
Quick search: XRHR Description: Magnetic headroller, Ferrite, D324 - W850			

IF NOT SPECIFIED ON DRAWING, LINEAR DIMENSION TOLERANCES PER ISO 2768-1 CLASS C, GEOMETRICAL TOLERANCES PER ISO 2768-1 CLASS L