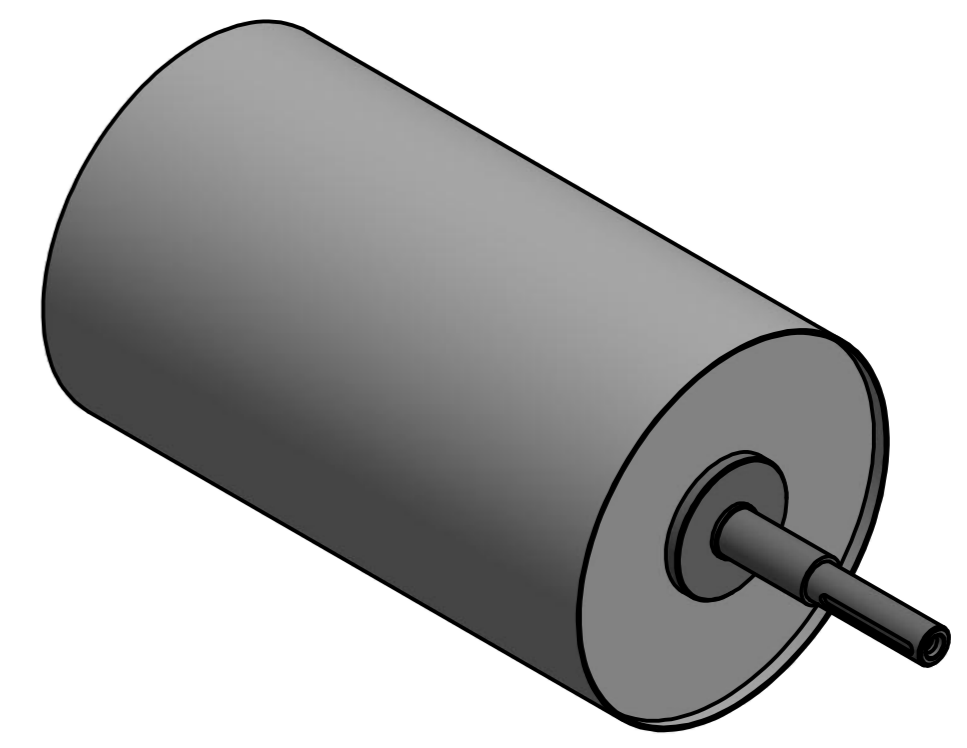
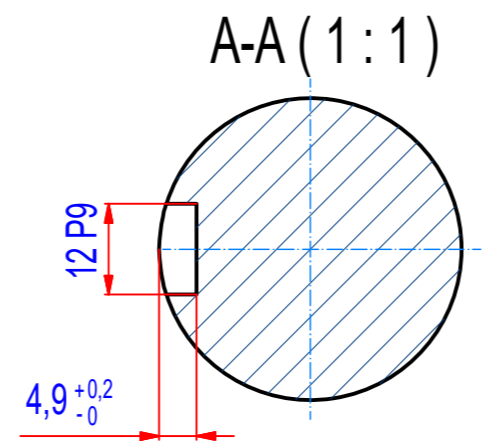
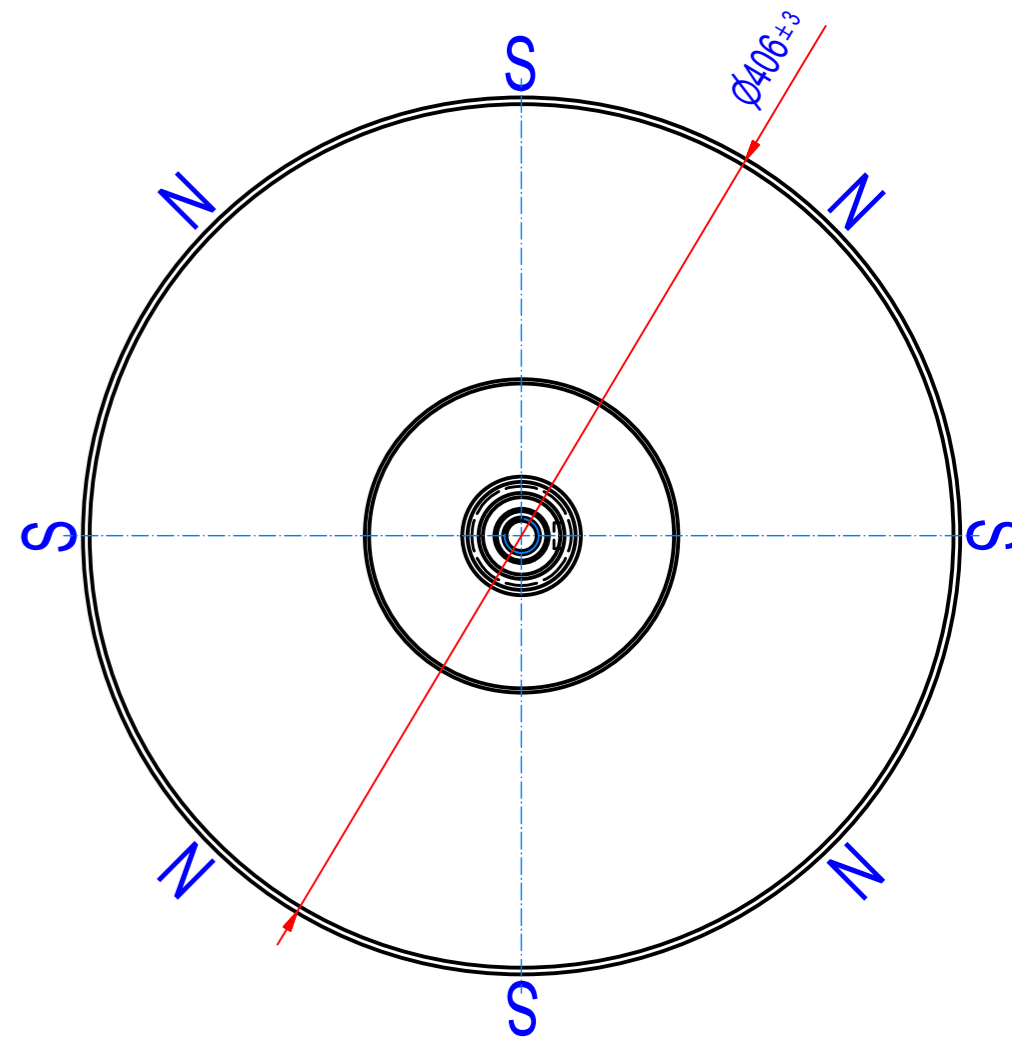
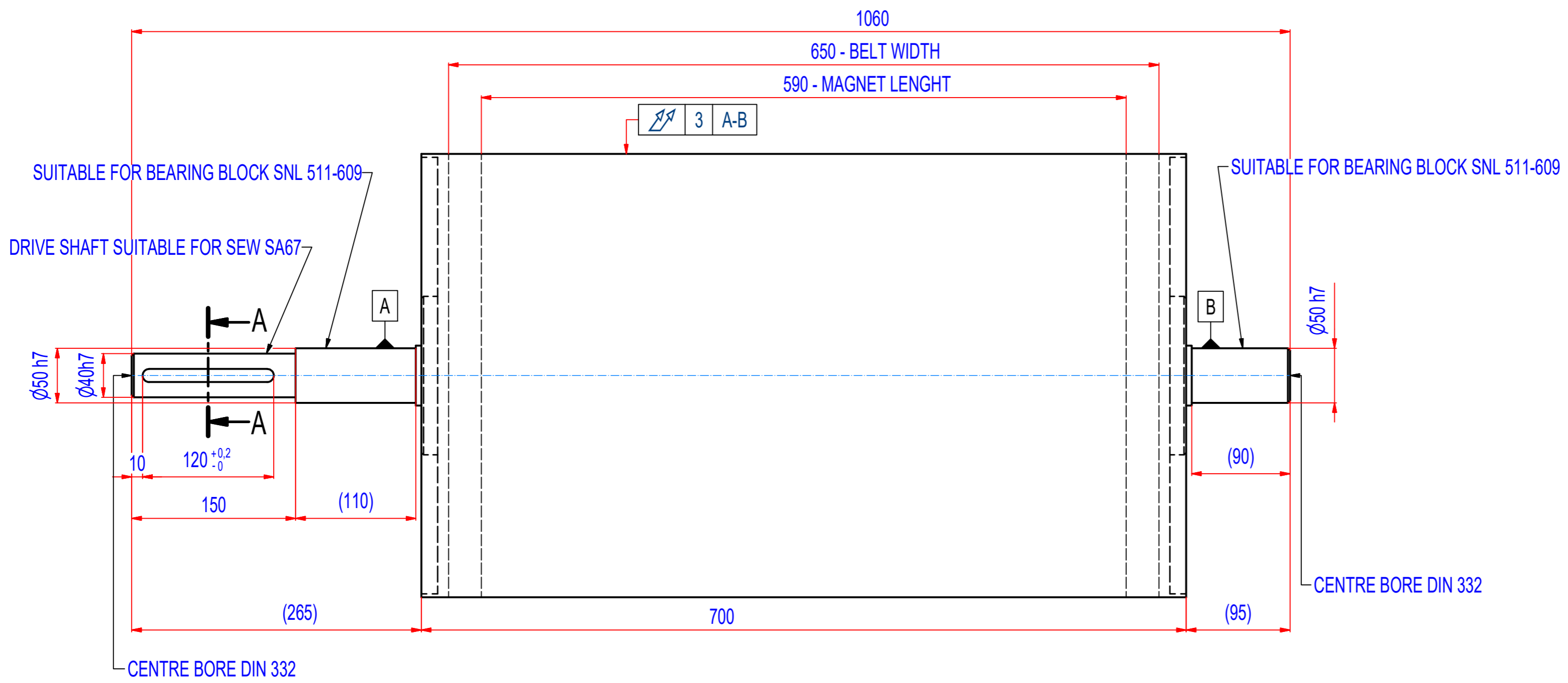


REV	DATE	BY	DESCRIPTION
-	22.02.2019	PH	ORIGINAL DRAWING; REF: RHAF40080000



SPECIFICATIONS

- SUITABLE FOR BELT WIDTH: 650 mm
- MAGNET TYPE: Ferrite
- NUMBER OF POLES: 8
- SURFACE MAG. INTENSITY: 1800 Gauss
- SHAFT TYPE: REMOVABLE, EQUIPPED WITH CLAMP BUSHINGS
- OVERALL WEIGHT: 345 kg
- CROWNING: NO
- RUBBER LAYER: NO

IF NOT SPECIFIED ON DRAWING, LINEAR DIMENSION TOLERANCES PER ISO 2768-1 CLASS C, GEOMETRICAL TOLERANCES PER ISO 2768-1 CLASS L

Sheet: A2	Extra info:	General tolerance: ISO 2768 - cL
Drawn: PH	Weight (kg): 345	Drawn according: ISO268; ISO1101; ISO2553
Date: 22.02.2019	<p>© All rights reserved. Reproduction is not permitted without written permission of GOUDSMIT Magnetic Systems BV</p>	Status:
Predecessor:		Customer reference number:
Quick search: XRHR D406	<p>Magnetic headroller, Ferrite, D406 - W1150</p>	Product key: RHP-F406A08-065-RSD-BA
Description: Magnetic headroller, Ferrite, D406 - W1150		Part number: RHAF40065000