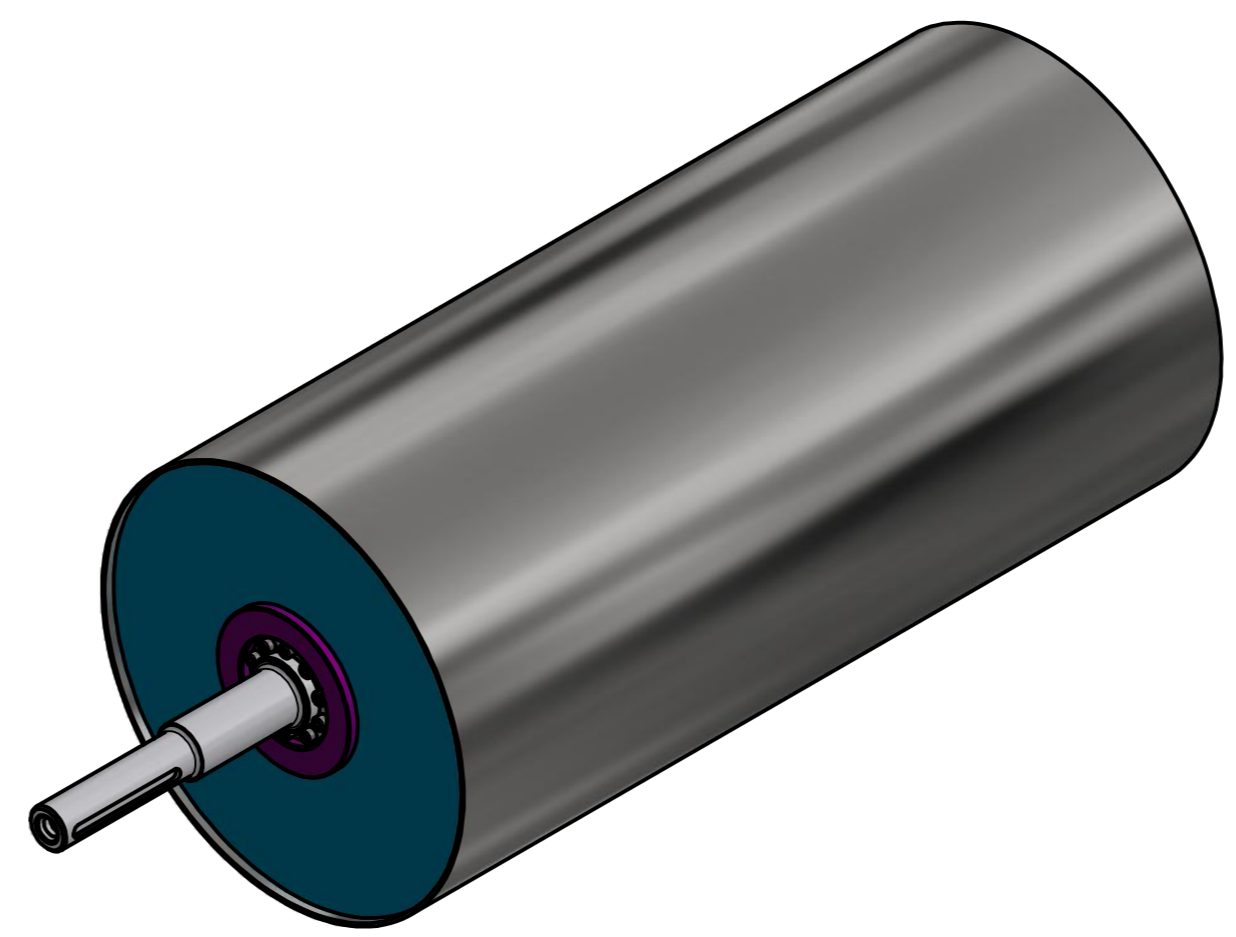
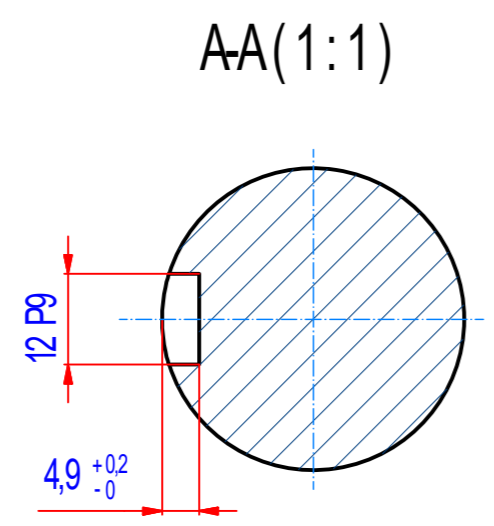
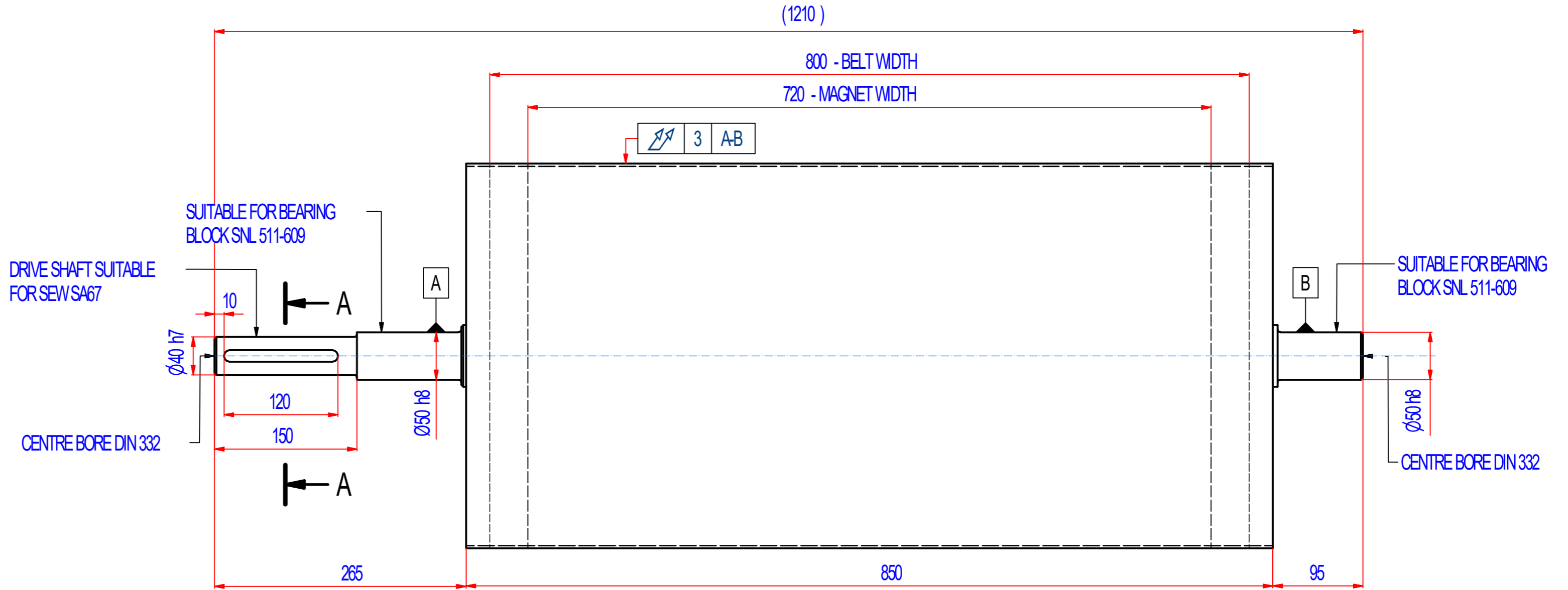
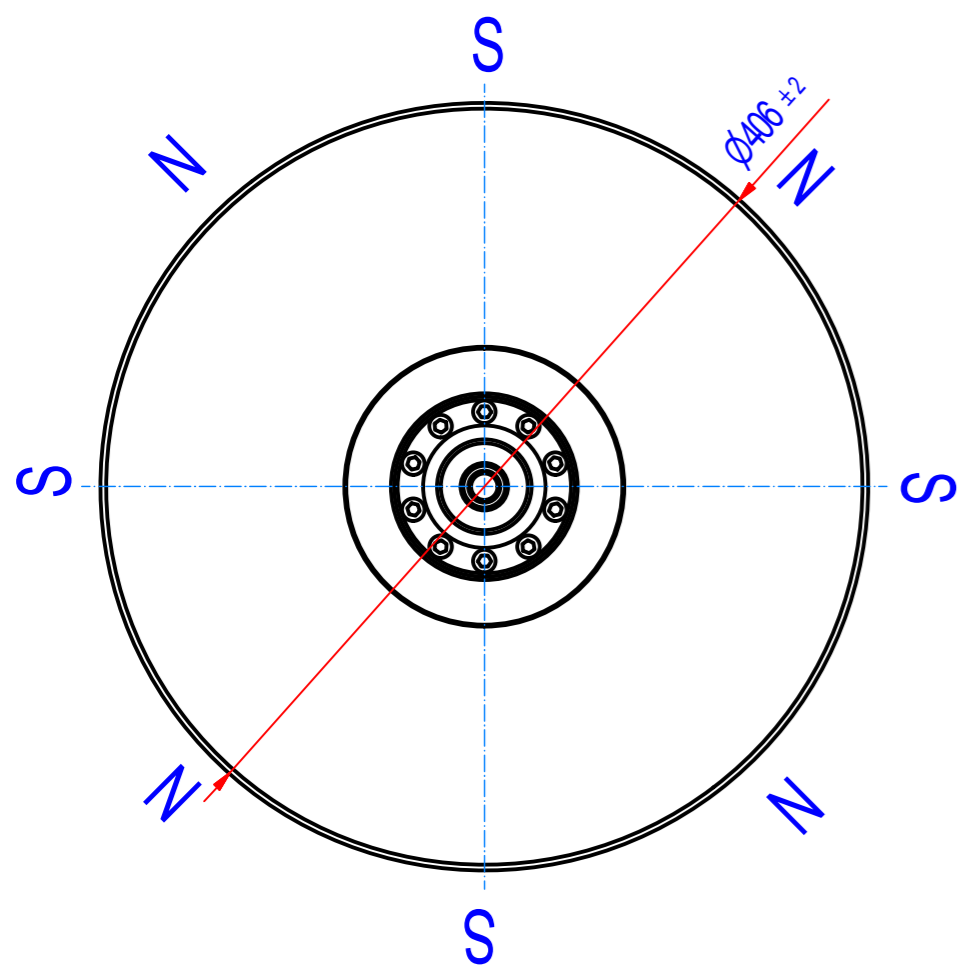


REV	BY	DATE	DESCRIPTION
A	JDL	22.02.2013	Original drawing
B	EN	25.10.2017	New Vault, new standard



SPECIFICATIONS

- SUITABLE FOR BELT WIDTH: 800 mm
- MAGNET TYPE: Ferrite
- NUMBER OF POLES: 8
- SURFACE MAG. INTENSITY: 1900 Gauss
- SHAFT TYPE: REMOVABLE SHAFT, WITH CLAMPING BUSHES
- OVERALL WEIGHT: 409 kg
- CROWNING: NO
- RUBBER LAYER: NO

IF NOT SPECIFIED ON DRAWING, LINEAR DIMENSION TOLERANCES PER ISO 2768-1 CLASS C, GEOMETRICAL TOLERANCES PER ISO 2768-1 CLASS L

POZ./POS.	Č. SOUČÁSTI/ PART NUMBER	POPIS / DESCRIPTION	H/MOT./ WEIGHT
1	A165_000000	Magnetický válec, Ferit, D406 - W850	408,5
Sheet: A2 Drawn: EN Date: 25.10.2017 Predecessor: RHAF40080000 Quick search: XRHR Description: Magnetic headroller, Ferit, D406 - W850		Extra info: © All rights reserved. Reproduction is not permitted without written permission of GOUDSMIT Magnetic Systems BV	General tolerance: ISO 2768 - cL Drawn according: ISO268; ISO1101; ISO2553 Status: Customer reference number: Product key: RH-P-F406A08-080-RSD-BA Part number: RHAF40080000 Rev: B