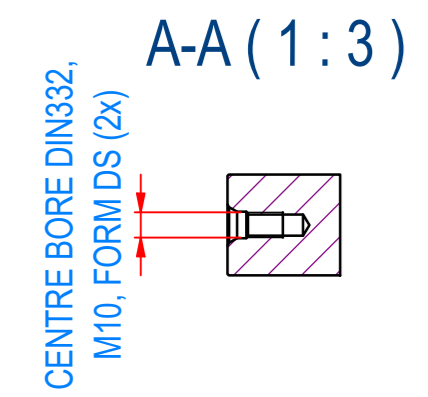
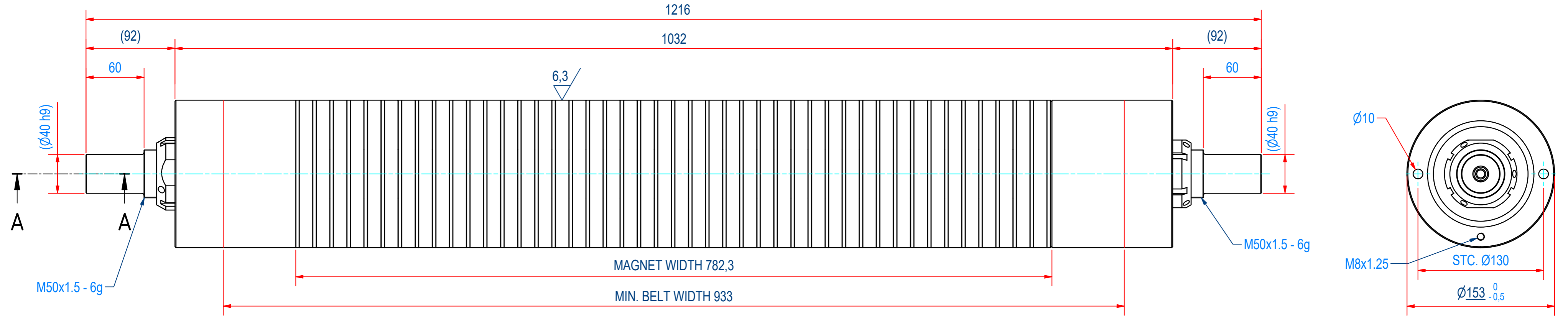
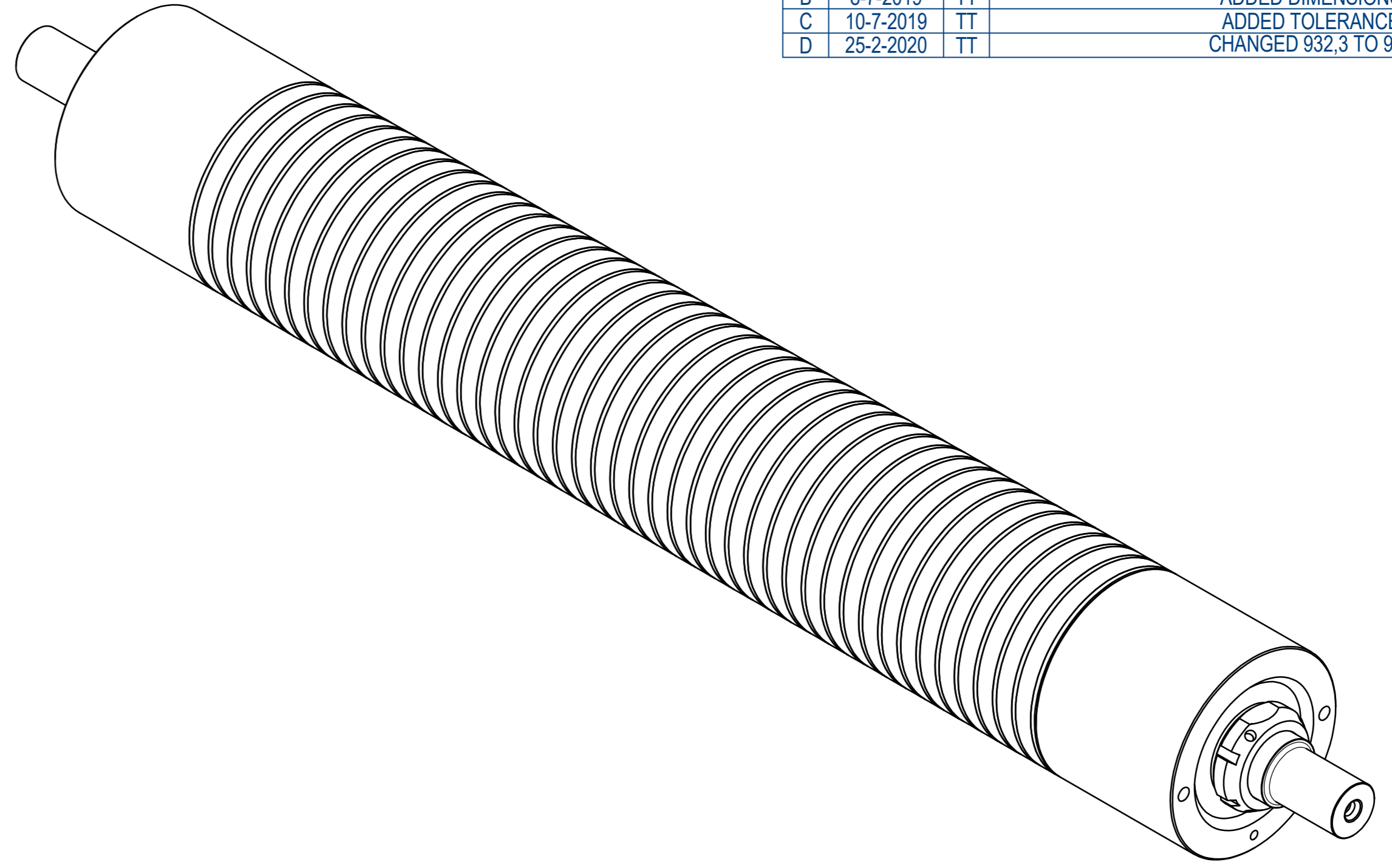


REV	DATE	BY	DESCRIPTION
B	8-7-2019	TT	ADDED DIMENSIONS
C	10-7-2019	TT	ADDED TOLERANCE
D	25-2-2020	TT	CHANGED 932,3 TO 933



ITEM	QTY	PART NUMBER	DESCRIPTION	Dimensions
1	1	E0007319	HEADROLLER RHAH1508	
RAW MAT.	1			Length (mm) Width (mm)
Quantity		Material Number	Material Description	
Sheet:	A2	Extra info:	General tolerance:	ISO 2768- mK
Drawn:	TT	Weight (kg):	144,8	Drawn according:
Date:	10-7-2019			ISO268; ISO1101; ISO2553
Spare part:	False	Source:		Status:
Quick search:	RHAH15			Released
Description:	RHP-H153R18-080-RSB-BA			Customer reference number:
				Document number:
				RHAH15080000
				Doc.Rev:
				D
				Part number:
				RHAH15080000
				Rev:
				B

© All rights reserved. Reproduction is not permitted without written permission of GOUDSMIT Magnetic Systems BV