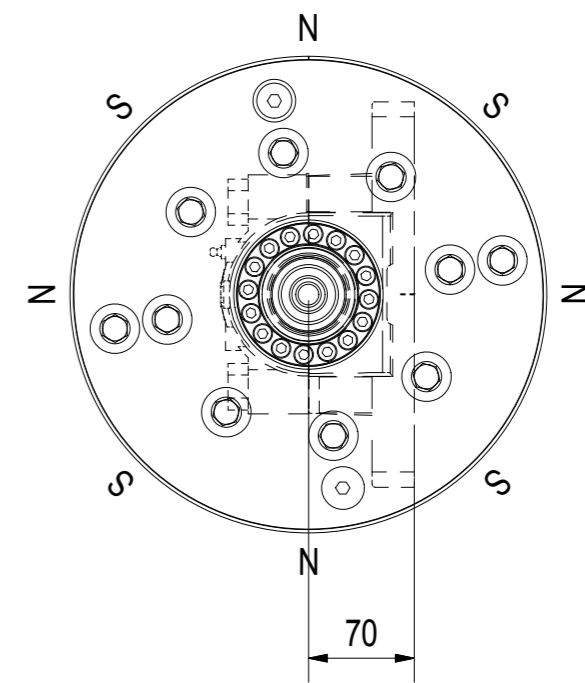
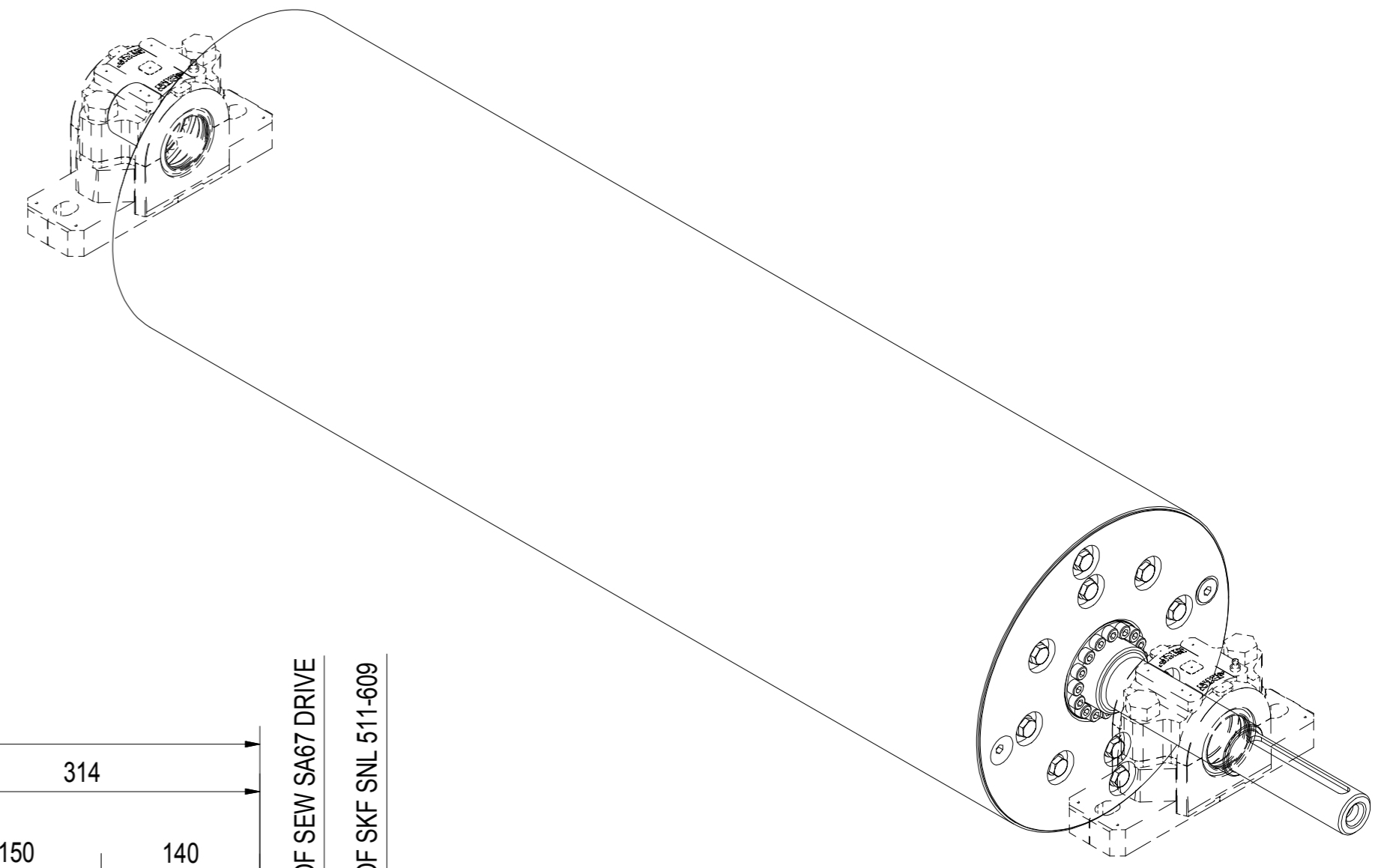
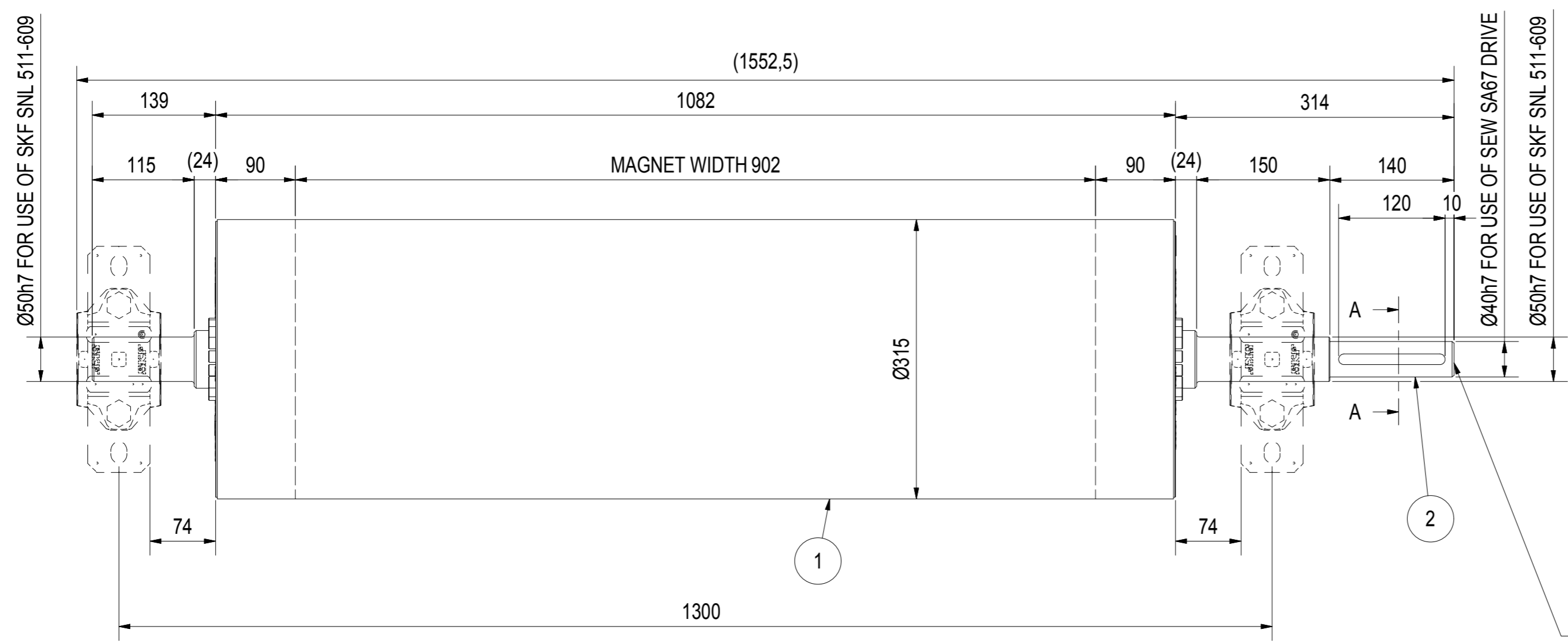
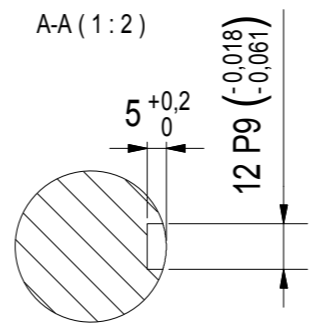


REV	DATE	BY	DESCRIPTION
A	18-10-2012	EK	REFERENCE DRAWING RHAM321000



CENTRE BORE DIN 332, M16, FORM DS (2x)



REMOVABLE SHAFT

3	2	1002.10096	CLAMP BUSH ALK210 65x95	
2	1	P200184	RHAM32100000 SHAFT	
1	1	RHBM32100000	MAG ROL D320 W1080 8PA	
ITEM	QTY	PART NUMBER	DESCRIPTION	DIMENSIONS
Scale: 1:5 Sheet: A2			General tolerance: ISO 2768 cL	
Date: 17-10-2012			Drawn according to: ISO268 ISO1101 ISO2553	
Drawn: EK Unit: st			GOUDSMIT MAGNETIC SYSTEMS	
<small>© All rights reserved. Reproduction is not permitted without written permission of GOUDSMIT Magnetic Systems BV</small>				
Description: MAG ROL D315 W1080 8PA			Lookup: RHAM32	Rev: A
			Artnr: RHAM32100000	