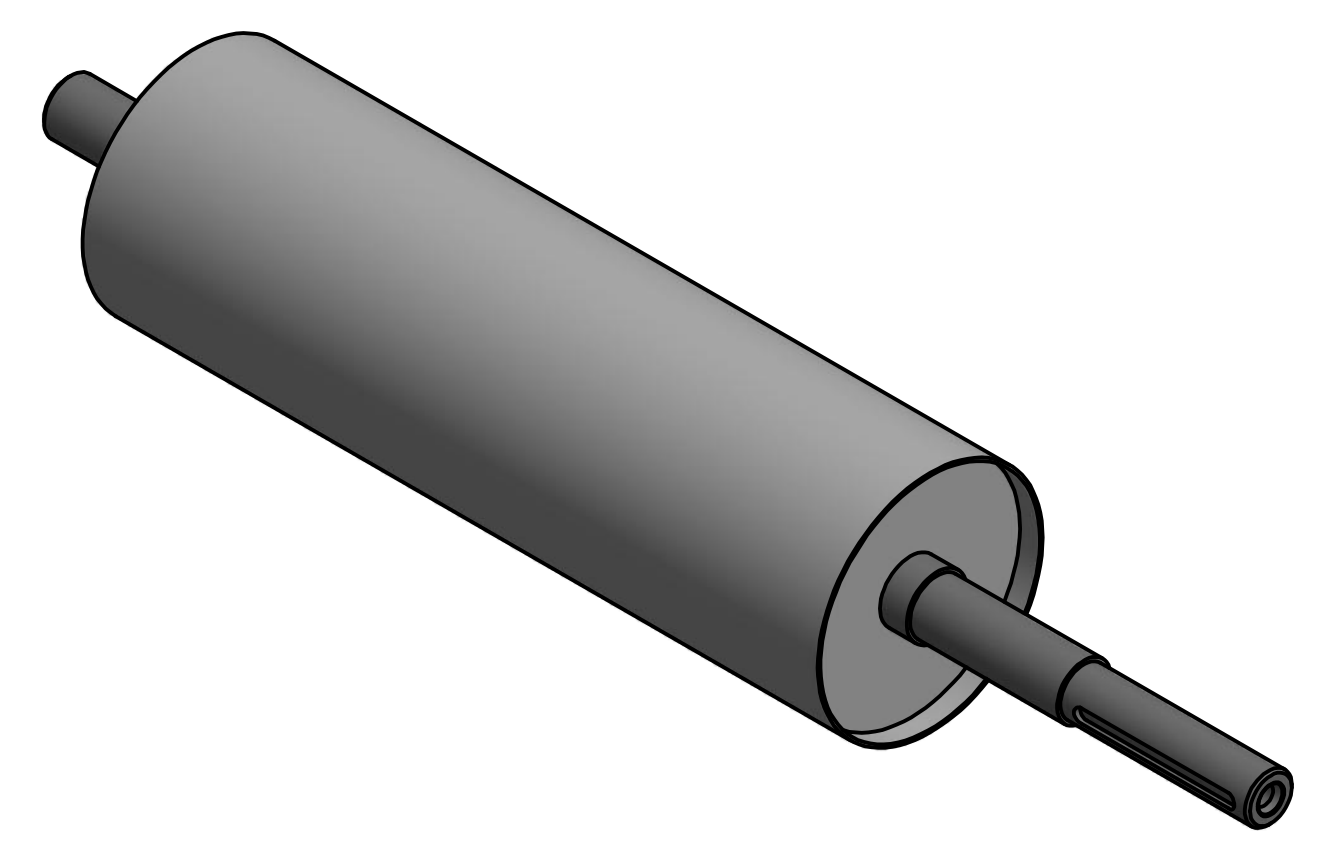
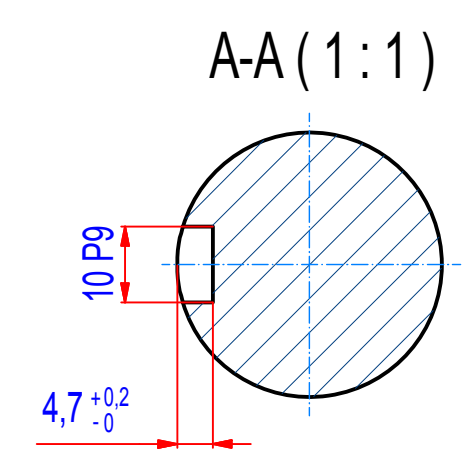
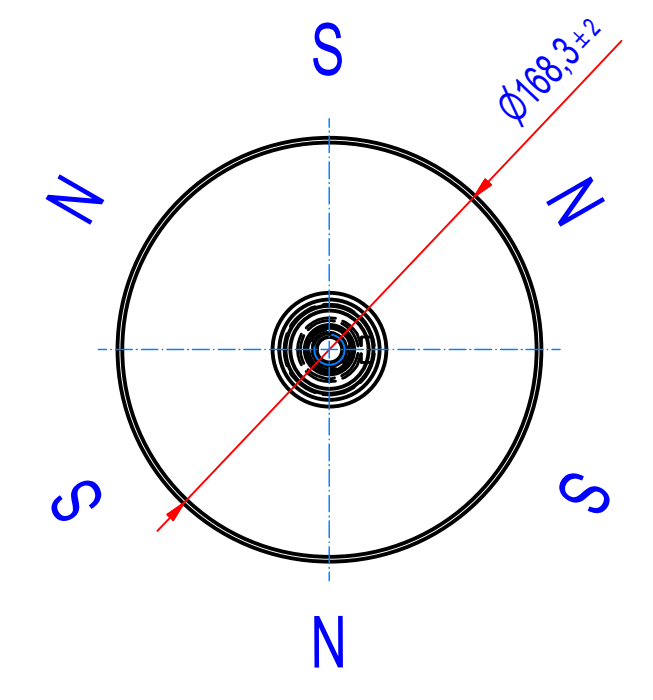
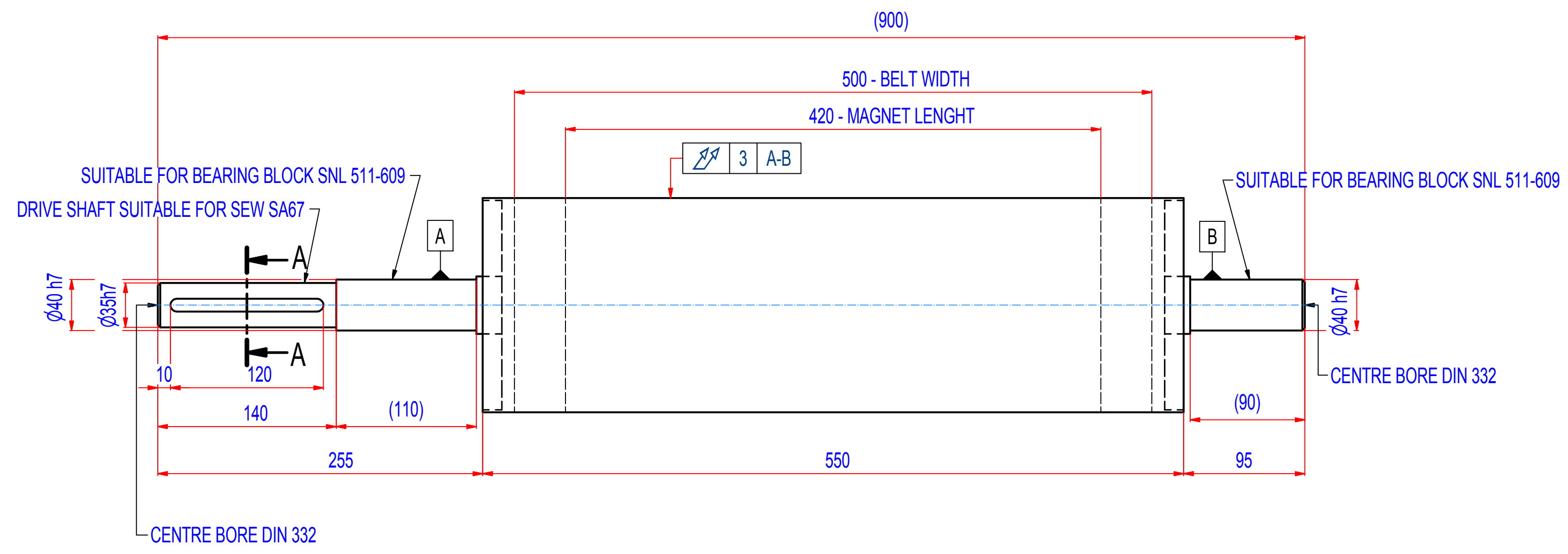


REV	BY	DATE	DESCRIPTION
-	PH	21.11.2016	ORIGINAL DRAWING



SPECIFICATIONS

- SUITABLE FOR BELT WIDTH: 500 mm
- MAGNET TYPE: NdFeB
- NUMBER OF POLES: 6
- SURFACE MAG. INTENSITY: 3000 Gauss
- SHAFT TYPE: NON REMOVABLE
- OVERALL WEIGHT: 54 kg
- CROWNING: NO
- RUBBER LAYER: NO

IF NOT SPECIFIED ON DRAWING, LINEAR DIMENSION TOLERANCES PER ISO 2768-1 CLASS C, GEOMETRICAL TOLERANCES PER ISO 2768-1 CLASS L

Sheet: A2	Extra info:	General tolerance: ISO 2768 - cL
Drawn: PH	Weight (kg): 54,0 kg	Drawn according: ISO268; ISO1101; ISO2553
Date: 21.11.2016		Status:
Scale: 1:3		Customer reference number:
Quick search: XRHR	© All rights reserved. Reproduction is not permitted without written permission of GOUDSMIT Magnetic Systems BV	Product key: RHP-B168A06-050-FSD-BA
Description: HEADROLLER NdFeB - D168 - W550		Part number: RHAN16050000