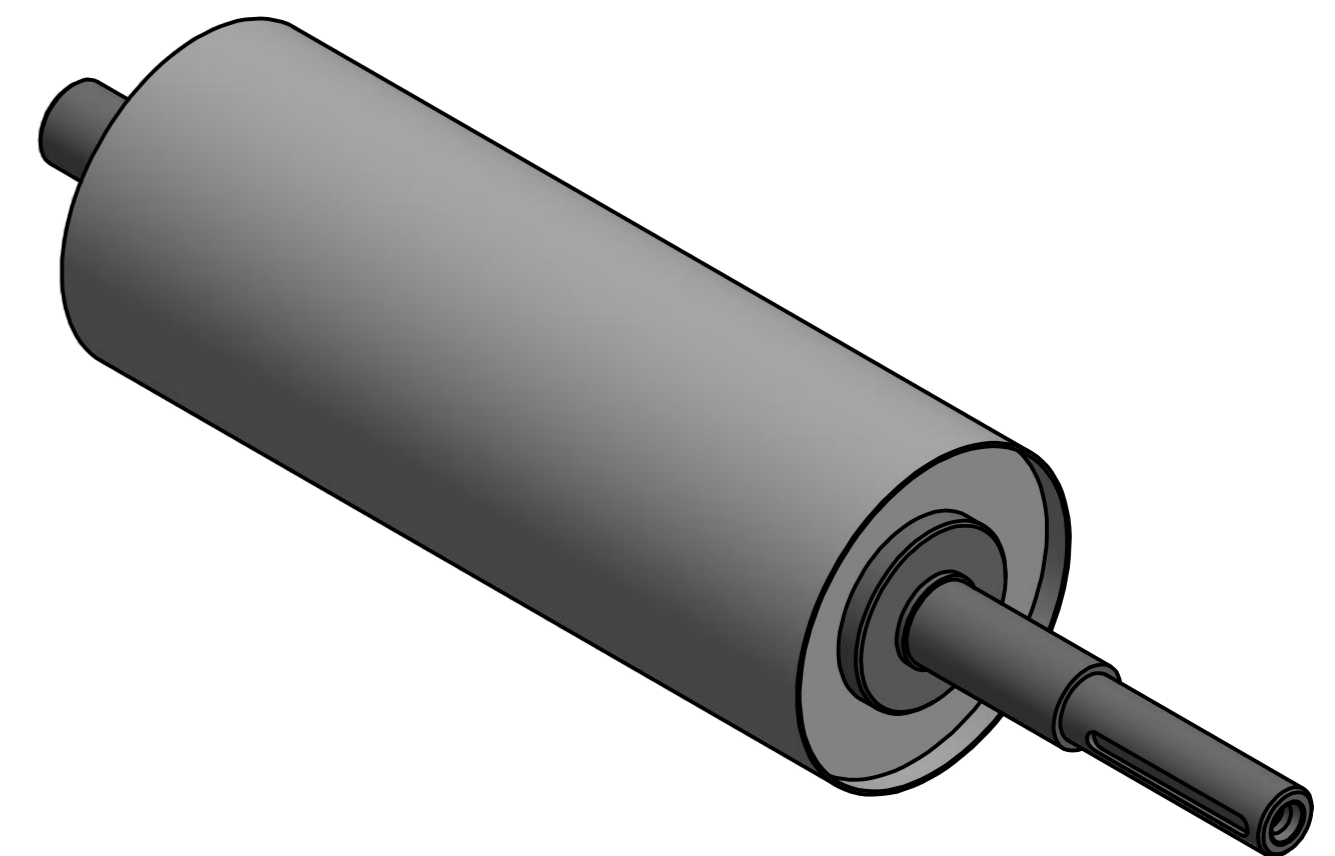
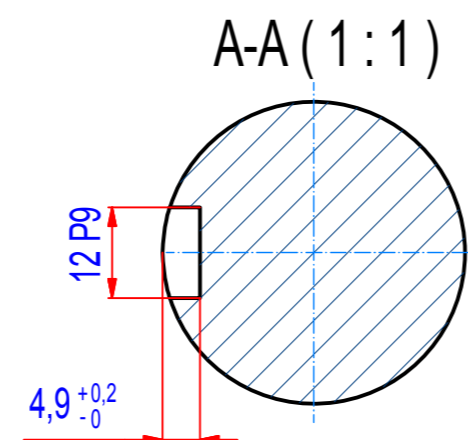
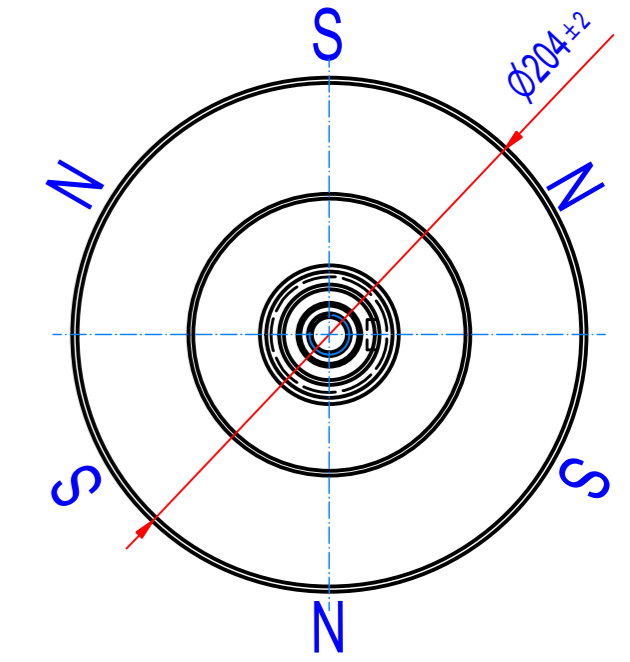
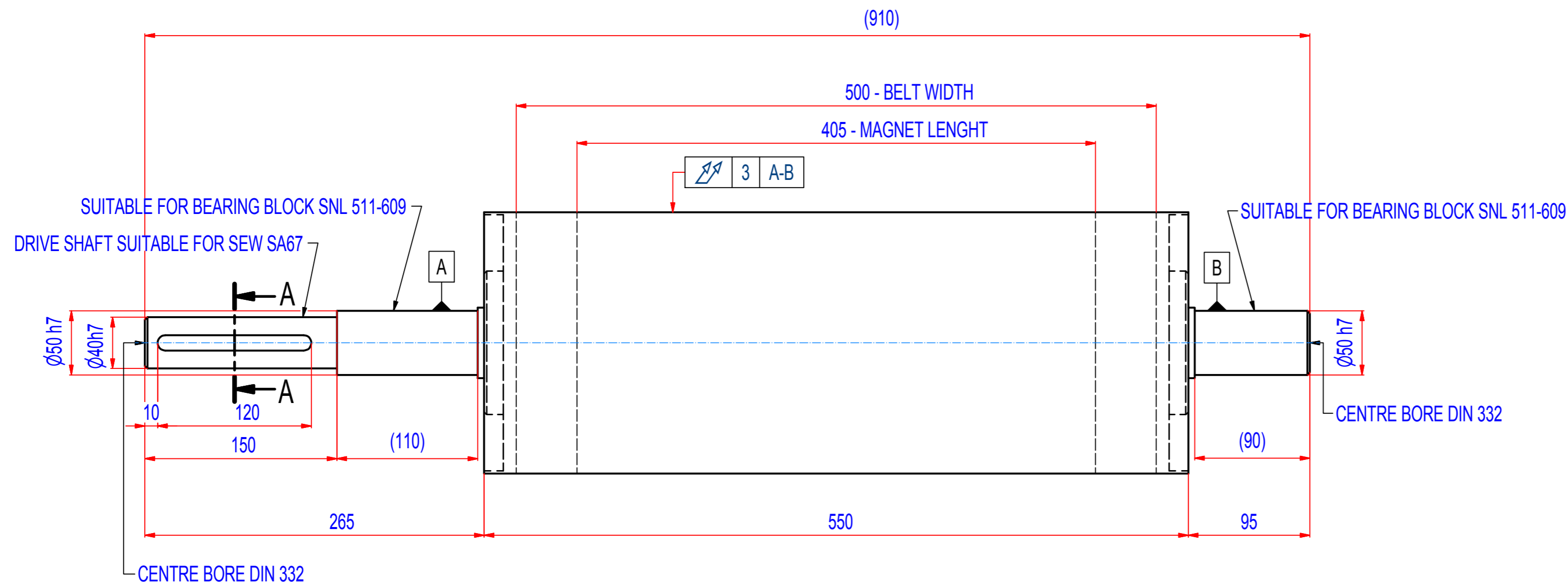


REV	BY	DATE	DESCRIPTION
A	JDL	22.2.2013	ORIGINAL DRAWING
B	PH	21.11.2016	CHANGE LENGHT - NEW STANDARD(550mm)



SPECIFICATIONS

- SUITABLE FOR BELT WIDTH: 500 mm
- MAGNET TYPE: NdFeB
- NUMBER OF POLES: 6
- SURFACE MAG. INTENSITY: 3000 Gauss
- SHAFT TYPE: REMOVABLE, EQUIPPED WITH CLAMP BUSHINGS
- OVERALL WEIGHT: 77 kg
- CROWNING: NO
- RUBBER LAYER: NO

IF NOT SPECIFIED ON DRAWING, LINEAR DIMENSION TOLERANCES PER ISO 2768-1 CLASS C, GEOMETRICAL TOLERANCES PER ISO 2768-1 CLASS L

Sheet: A2	Extra info:	General tolerance: ISO 2768 - cL
Drawn: PH	Weight (kg): 77.0 kg	Drawn according: ISO268; ISO1101; ISO2553
Date: 21.11.2016		Status:
Scale: 1:3		Customer reference number:
Quick search: XRHR	© All rights reserved. Reproduction is not permitted without written permission of GOUDSMIT Magnetic Systems BV	Product key: RHP-B204A06-050-RSD-BA
Description: HEADROLLER NdFeb - D204 - W550	Part number: RHAN20050000	Rev: B