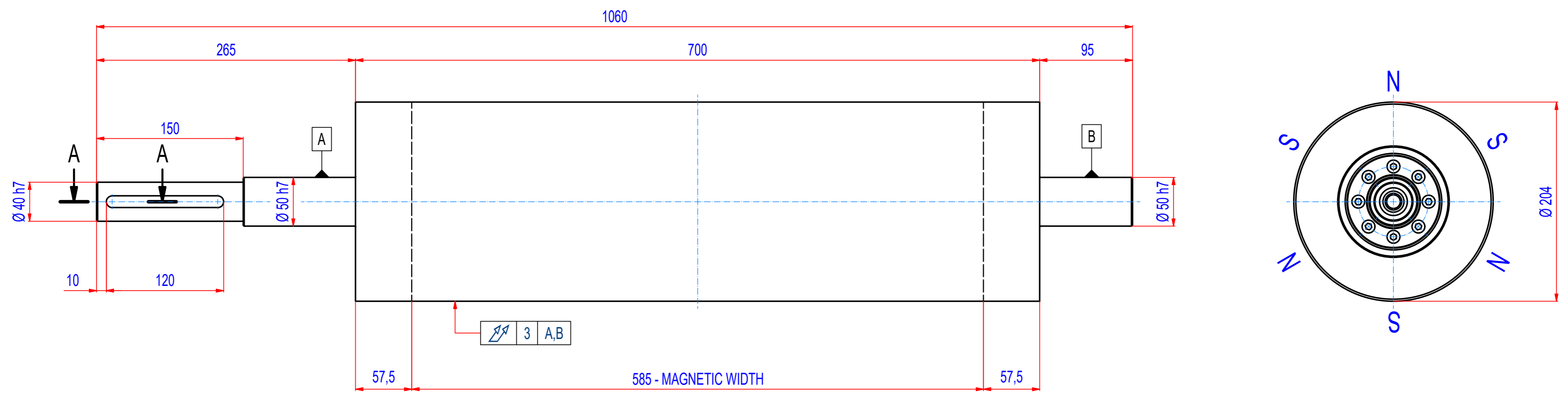
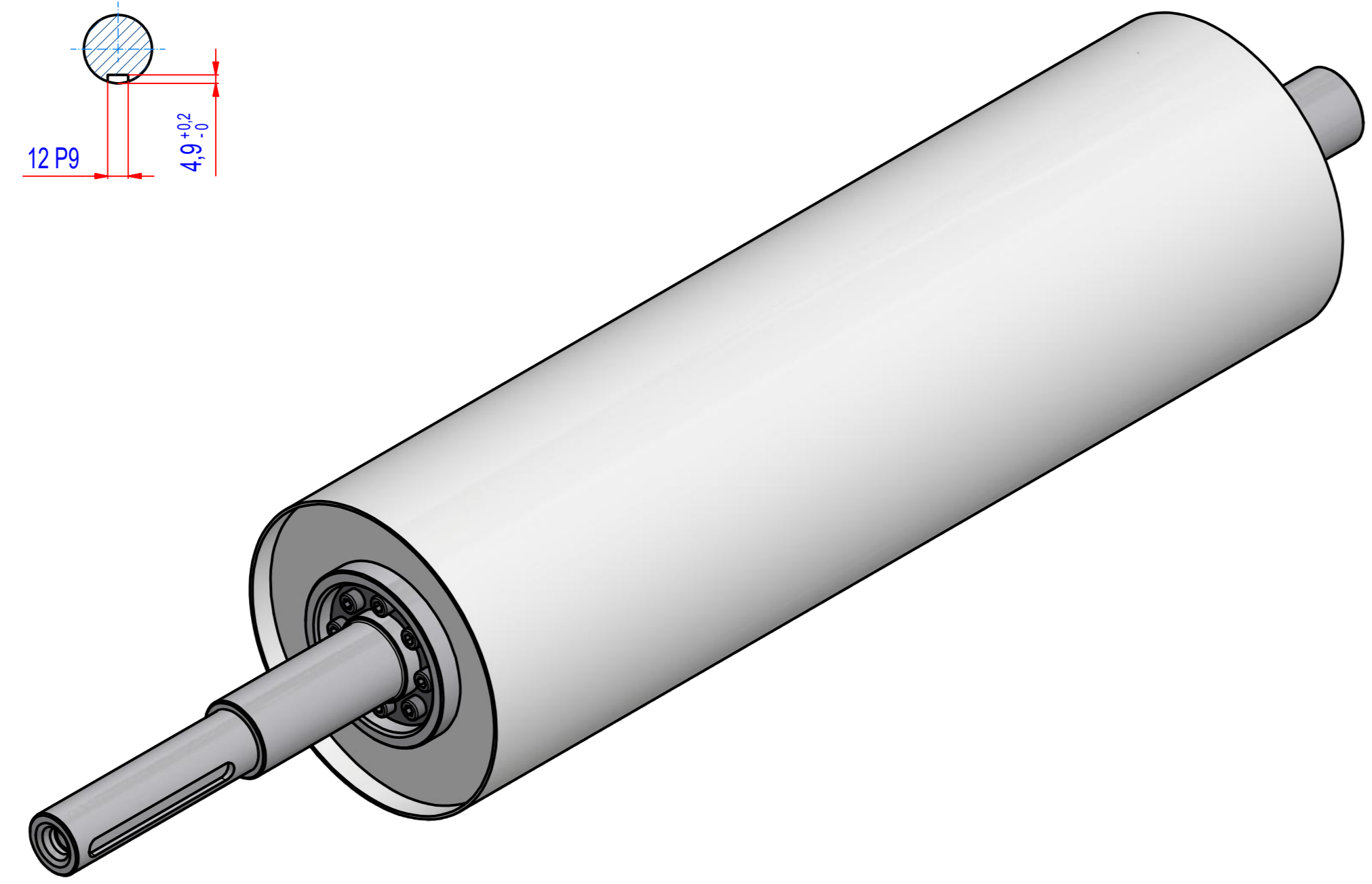
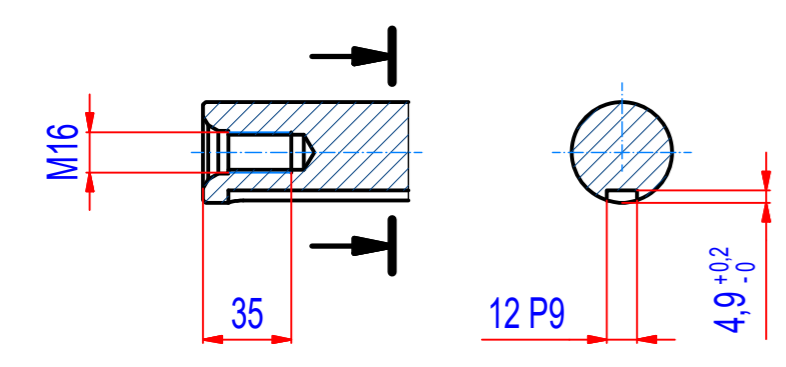


REV	DATE	BY	DESCRIPTION
	31.07.2018	LF	NEW VAULT, OLD FEF. RHAN20065000_B



SECTION A-A



SPECIFICATIONS

- SUITABLE FOR BELT WIDTH: 650 mm
- MAGNET TYPE: NdFeB
- NUMBER OF POLES: 6
- SURFACE MAG. INTENSITY: 3000 Gauss
- SHAFT TYPE: REMOVABLE, WITH CLAMPING BUSHES
- CROWNING: NO
- RUBBER LAYER: NO

1	A533_000000	RHAN20065000		101,6	1
POZ.	Č. SOUČÁSTI	POPIS	MATERIÁL	HMOT.	MN.
Sheet: A2 Drawn: LF Date: 31.07.2018 Predecessor:		Extra info: © All rights reserved. Reproduction is not permitted without written permission of GOUDSMIT Magnetic Systems BV	General tolerance: ISO 2768 - cL Drawn according: ISO268; ISO1101; ISO2553 Status: Customer reference number: Product key: RHP-B204A06-065-RSD-BA Part number: RHAN20065000 Rev:		
Quick search: XRHR D204 Description: Magnetic headroller permanent, D200, L650, Nd, 6P					