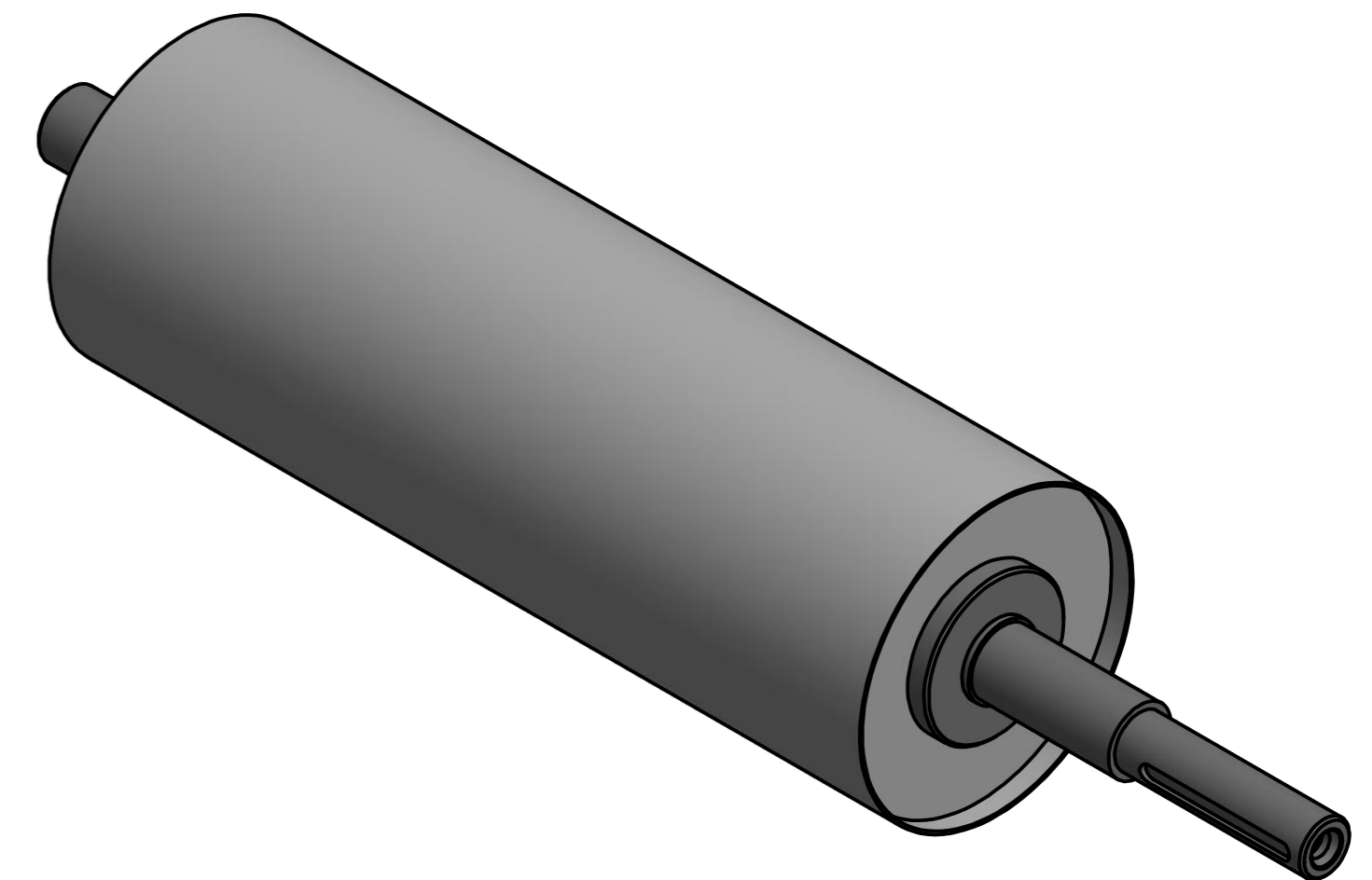
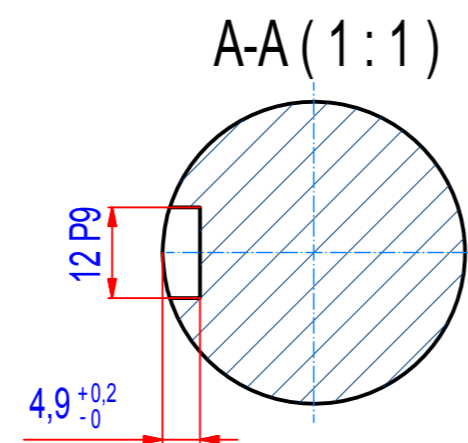
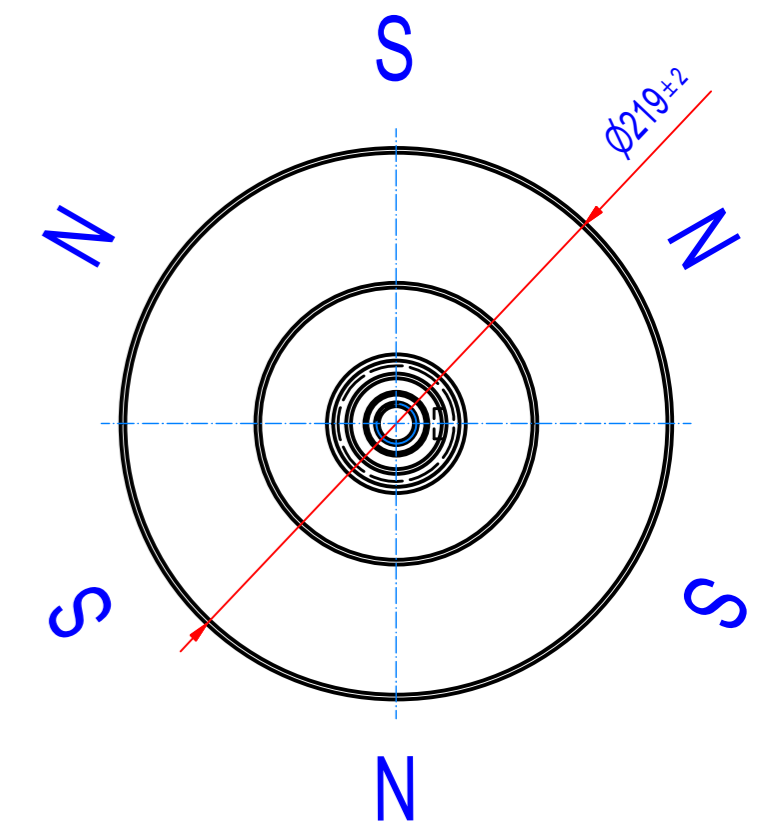
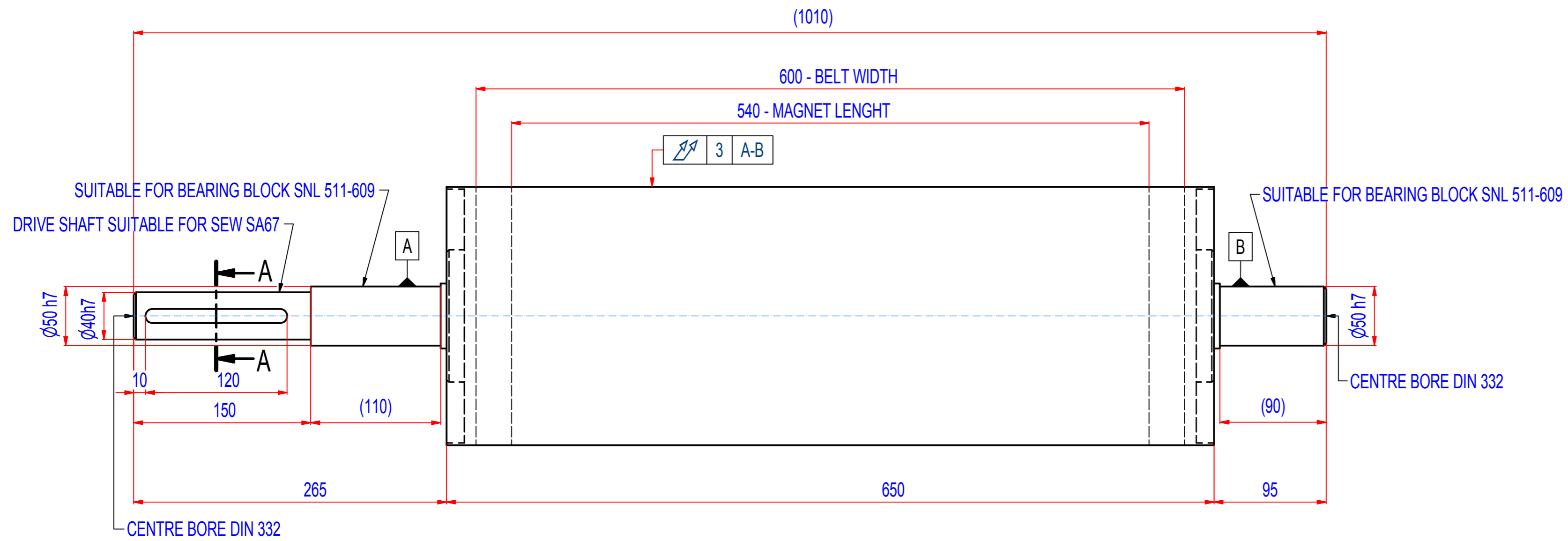


REV	BY	DATE	DESCRIPTION
A	JDL	22.2.2013	ORIGINAL DRAWING
B	PH	9.11.2016	CHANGE LENGHT - NEW STANDARD(650mm)



SPECIFICATIONS

- SUITABLE FOR BELT WIDTH: 600 mm
- MAGNET TYPE: NdFeB
- NUMBER OF POLES: 6
- SURFACE MAG. INTENSITY: 3200 Gauss
- SHAFT TYPE: REMOVABLE, EQUIPPED WITH CLAMP BUSHINGS
- OVERALL WEIGHT: 93 kg
- CROWNING: NO
- RUBBER LAYER: NO

IF NOT SPECIFIED ON DRAWING, LINEAR DIMENSION TOLERANCES PER ISO 2768-1 CLASS C, GEOMETRICAL TOLERANCES PER ISO 2768-1 CLASS L

Sheet: A2	Extra info:	General tolerance: ISO 2768 - cL
Drawn: PH	Weight (kg): 93,0 kg	Drawn according: ISO268; ISO1101; ISO2553
Date: 15.9.2016		Status:
Scale: 1:3		Customer reference number:
Quick search: XRHR	© All rights reserved. Reproduction is not permitted without written permission of GOUDSMIT Magnetic Systems BV	Product key: RHP-B219A06-060-RSD-BA
Description: HEADROLLER NdFeB - D219 - W650		Part number: RHAN22060000
		Rev: B