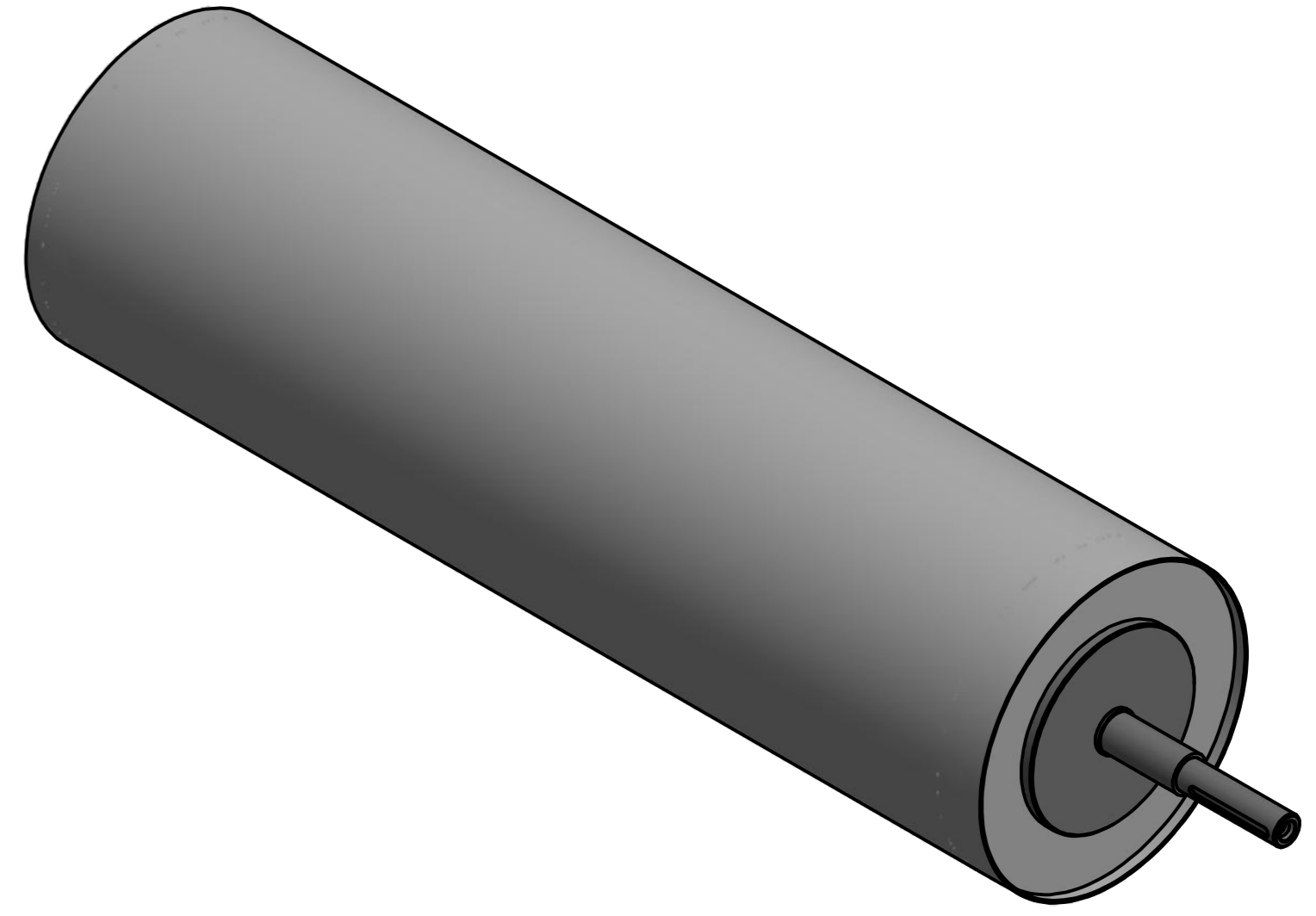
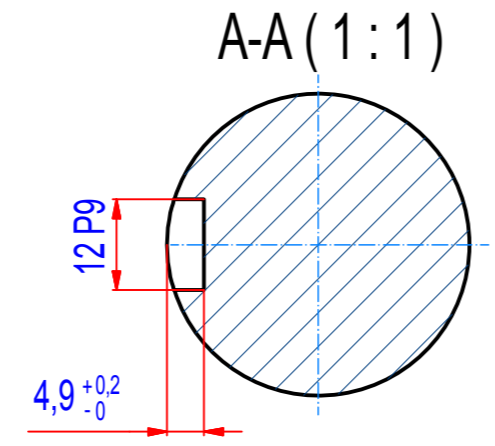
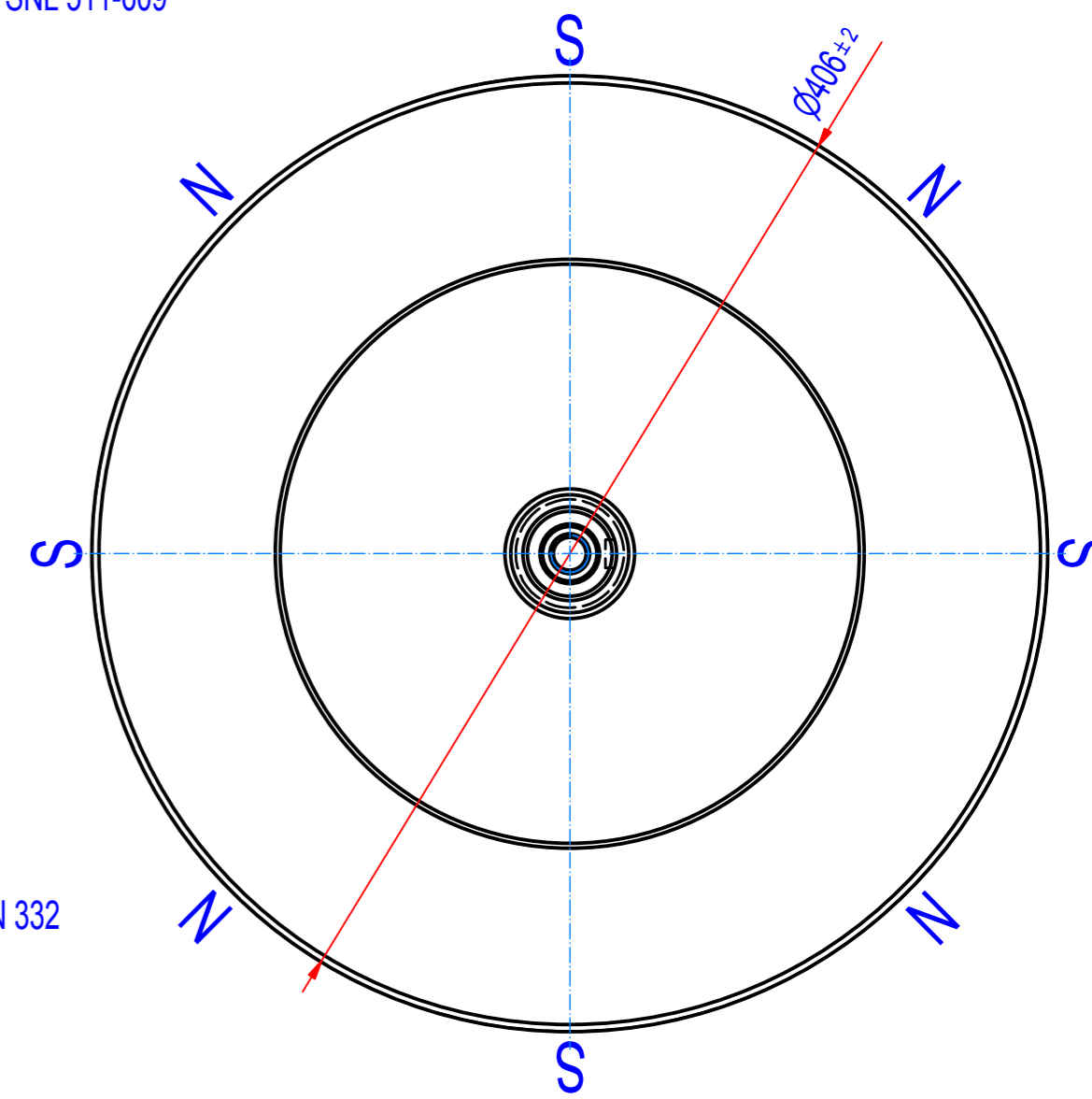
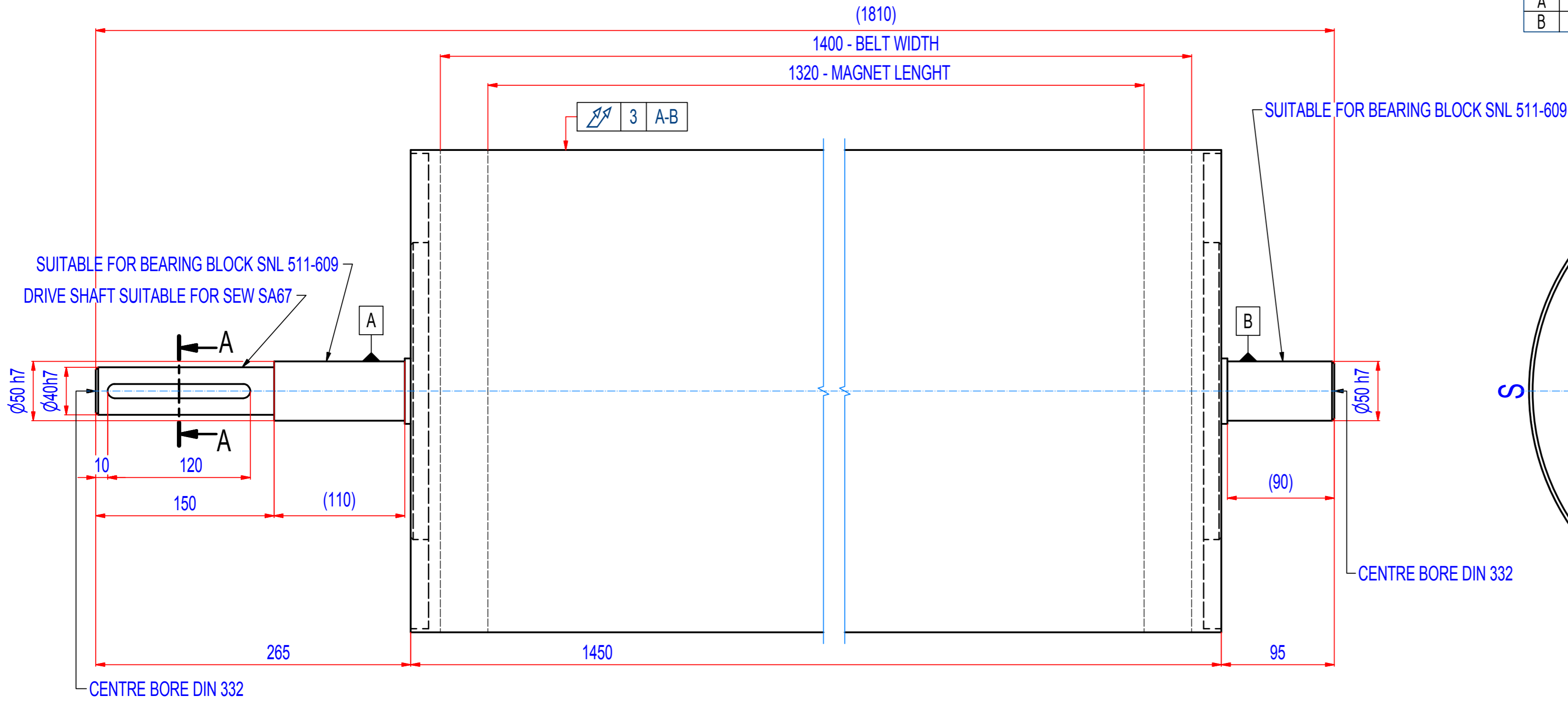


REV	BY	DATE	DESCRIPTION
A	JDL	22.2.2013	ORIGINAL DRAWING
B	PH	10.11.2016	NEW STANDARD LENGHT (1450mm)



SPECIFICATIONS

- SUITABLE FOR BELT WIDTH: 1400 mm
- MAGNET TYPE: NdFeB
- NUMBER OF POLES: 8
- SURFACE MAG. INTENSITY: 3400 Gauss
- SHAFT TYPE: REMOVABLE, EQUIPPED WITH CLAMP BUSHINGS
- OVERALL WEIGHT: 546 kg
- CROWNING: NO
- RUBBER LAYER: NO

IF NOT SPECIFIED ON DRAWING, LINEAR DIMENSION TOLERANCES PER ISO 2768-1 CLASS C, GEOMETRICAL TOLERANCES PER ISO 2768-1 CLASS L

Sheet: A2	Extra info:	General tolerance: ISO 2768 - cL
Drawn: PH	Weight (kg): 546,0 kg	Drawn according: ISO268; ISO1101; ISO2553
Date: 9.11.2016	<p>GOUDSMIT MAGNETIC SYSTEMS</p> <p><small>© All rights reserved. Reproduction is not permitted without written permission of GOUDSMIT Magnetic Systems BV</small></p>	Status:
Scale: 1:3		Customer reference number:
Quick search: XRHR	Description: HEADROLLER NdFeB - D406 - W1450	Product key: RHP-B406A08-140-RSD-BA
		Part number: RHAN40140000
		Rev: B