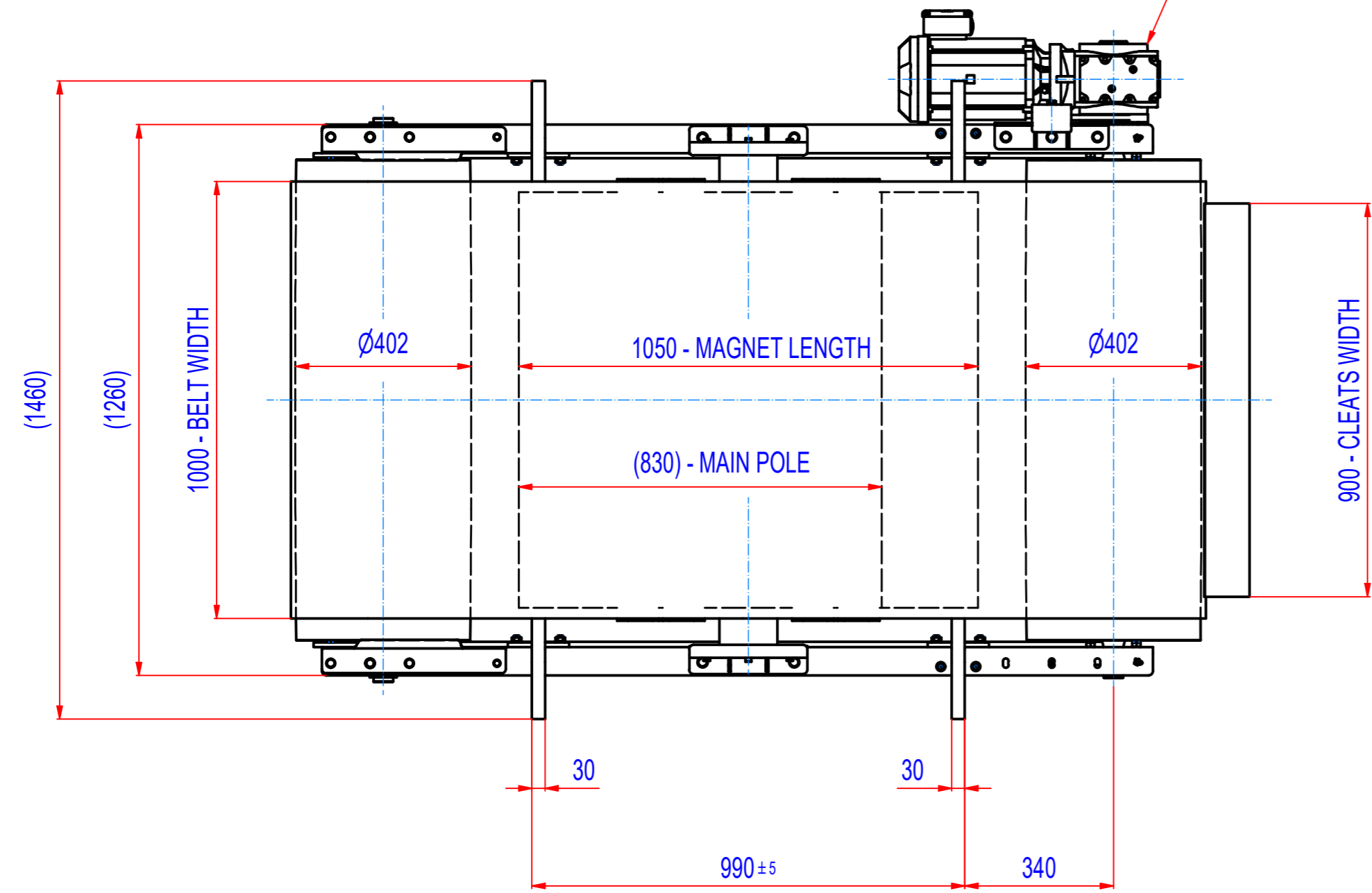
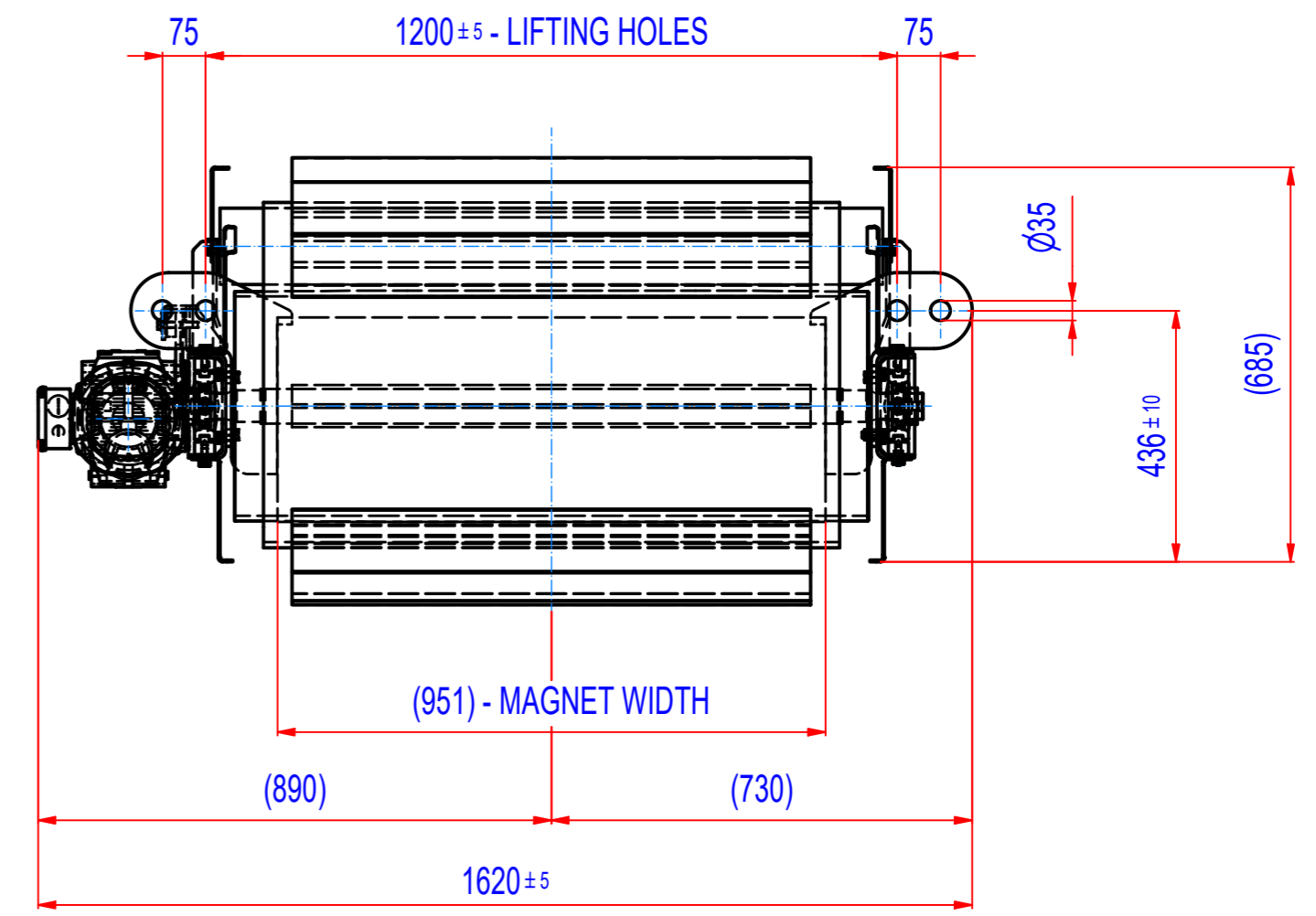
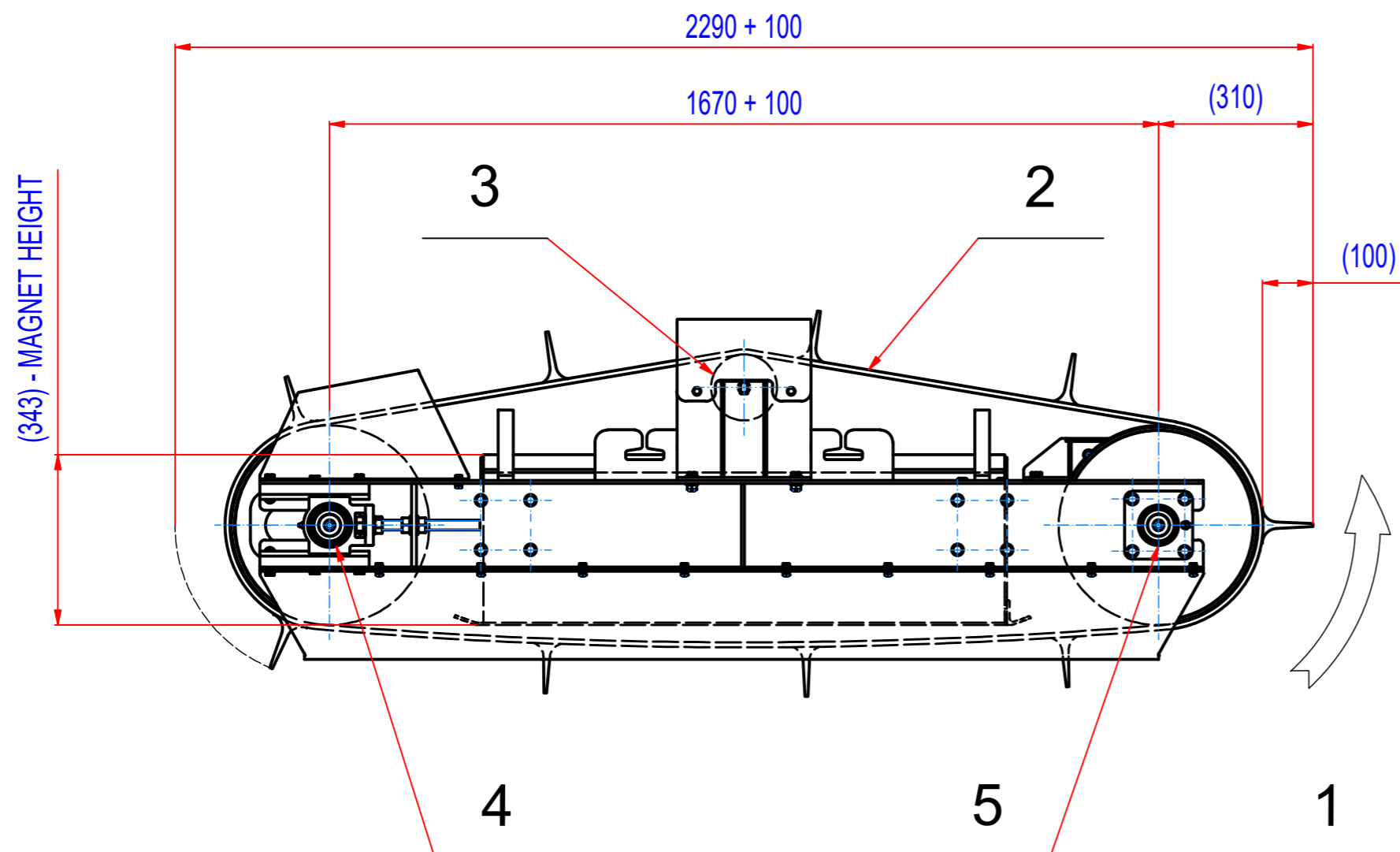


REV	DATE	BY	DESCRIPTION
-	12.04.2018	EN	New Vault, old revision was B
A	16.12.2019	PW	MOTOR IP55 (WAS IP54)
B	19.03.2023	LF	ACCORDING TO ROFC080350, REV.B 21.03.2023 - REDUCTION IN THE NUMBER OF SPARE PARTS



- GEARED BOX SEW SA67/TDRN100L4, i=20,37 (71RPM), MOTOR 230/400V, 3kW, 50Hz, IP55
- DRUM SPEED 71/min
- BELT SPEED 1,5m/s
- BELT EP500/4 5+2, LENGTH 4650, WIDTH 1000, 9 CLEATS T100/10, WIDTH 900

POZ.	Č. SOUČÁSTI	POPIS	MATERIÁL	HMOT.	MN.
5	15_8700045	BEARINGS ASSEMBLY INA PCJ 45		2,5	2
4	15_8600045	BEARINGS ASSEMBLY INA PTUE 45		2,7	2
3	1510_00009	PLAIN ROLLER 133x1150/6306		23,9	1
2	45_4100004	BELT EP 500/4 5+2, W=1000, L=4650	RUBBER	75	1
1	MO30007116	SEW SA67/TDRN100L4, 3kW, i=20,37 (71 RPM)		64	1

Sheet: A2 Drawn: EN Date: 12.4.2018 Predecessor: SEPB080035 Quick search: XSPB 5 Description: SPARE PARTS FOR ROFC080350	Extra info: <small>© All rights reserved. Reproduction is not permitted without written permission of GOUDSMIT Magnetic Systems BV</small>	General tolerance: ISO 2768 - cL Drawn according: ISO268; ISO1101; ISO2553 Status: Customer reference number: Product key: ROP-F5-C-080-W-G-L-B-B-NA Part number: ROFC080350_SP Rev: -
---	---	--