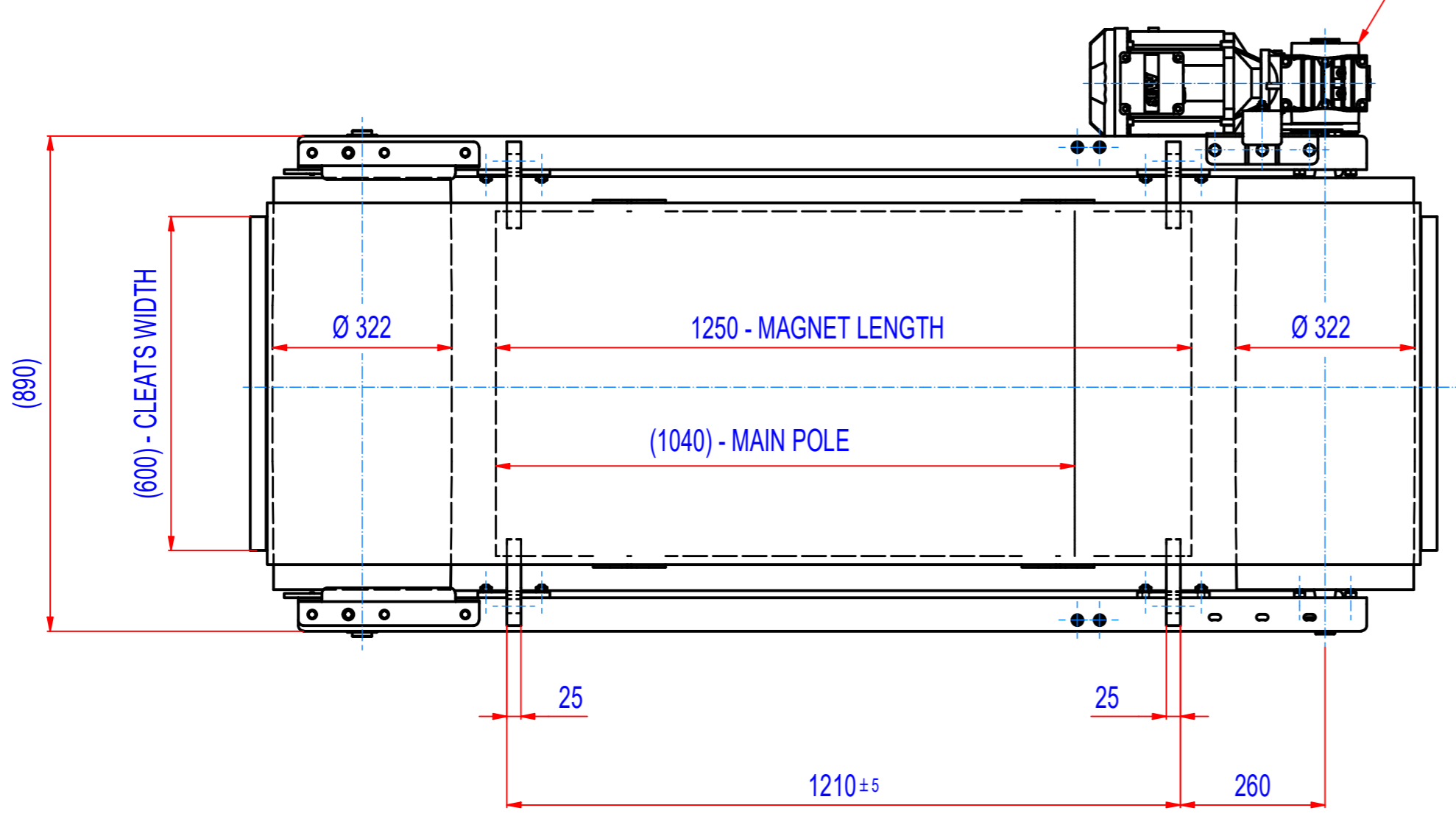
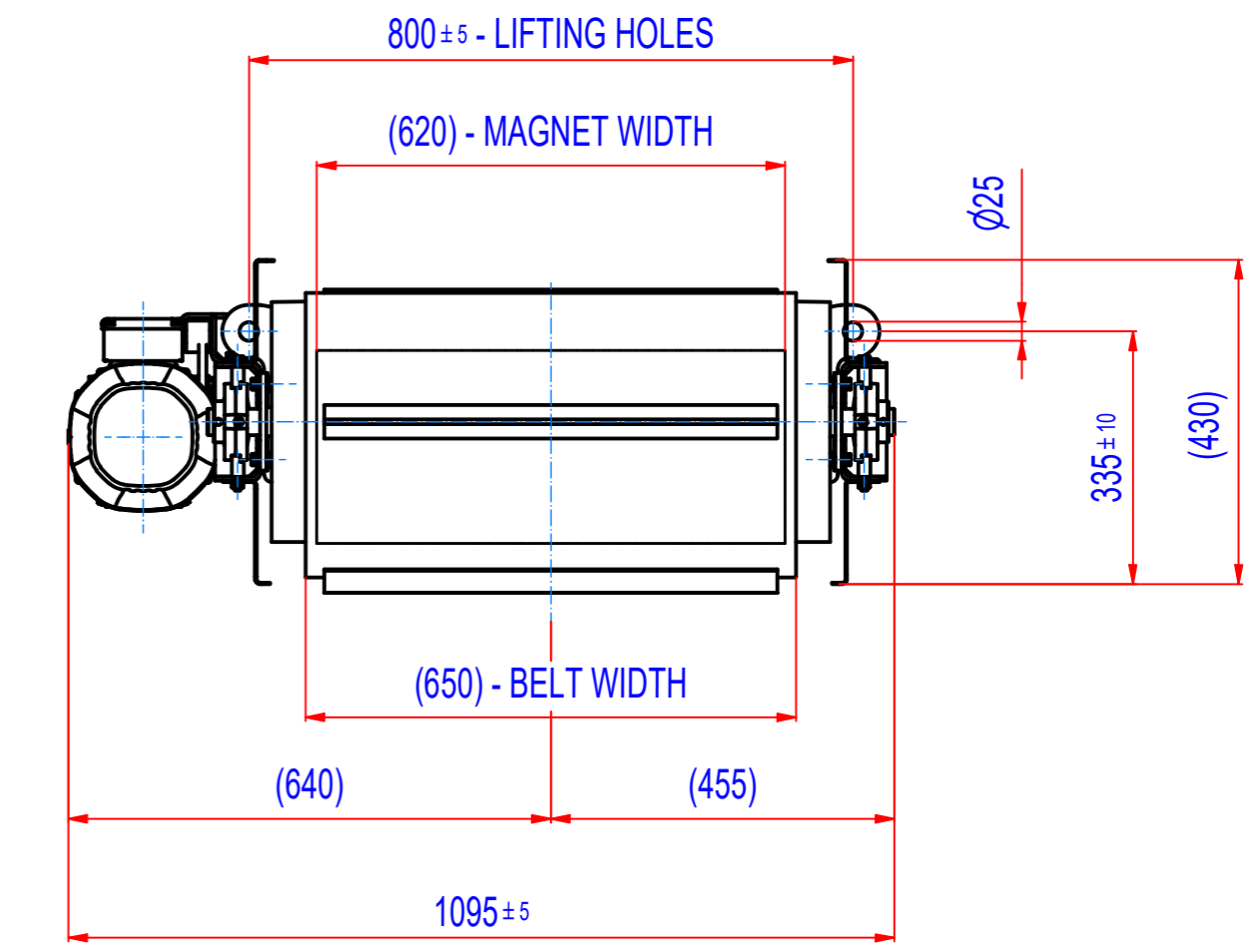
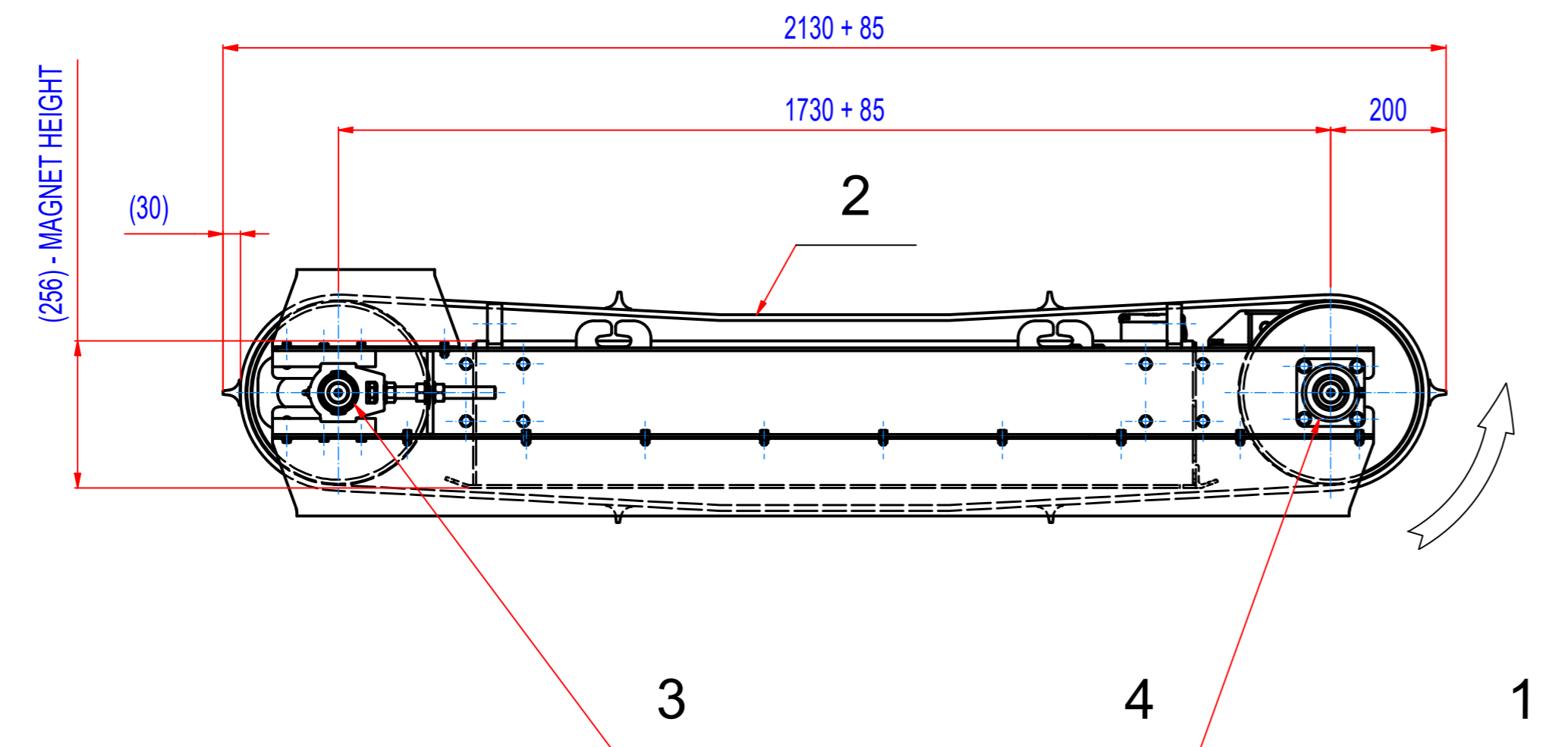


REV	BY	DATE	DESCRIPTION
-	PW	05.01.2018	ORIGINAL DRAWING
			11.03.2023 - REDUCTION IN THE NUMBER OF SPARE PARTS



- GEARED BOX SEW SA57/TDRN100LS4, i=14,24 (102RPM),  
 MOTOR 230/400V, 2,2kW, 50Hz, IP55  
 - ROLLER SPEED 102/min  
 - BELT SPEED 1,7 m/s  
 - BELT EB400, WIDTH 650, LENGTH 4510,  
 6 CLEATS T30/10, WIDTH 600

POZ.	Č. SOUČÁSTI	POPIS	MATERIÁL	HMOT.	MN.
4	15_8700035	BEARINGS ASSEMBLY INA PCJ 35		1,5	2
3	15_8600035	BEARINGS ASSEMBLY INA PTUE 35		1,7	2
2	45_4065003	BELT EP 400/3 4+2, W=650, L=4510	RUBBER	31	1
1	M022010003	SEW SA57/TDRN100LS4, 2,2kW, i=14,24 (102RPM)		42	1

Sheet: A2 Drawn: PW Date: 5.1.2018 Predecessor: SEPB100033 Quick search: XSPB 3 Description: SPARE PARTS FOR ROFC100330	Weight (kg): 1032,4  <small>© All rights reserved. Reproduction is not permitted without written permission of GOUDSMIT Magnetic Systems BV</small>	General tolerance: ISO 2768 - cL Drawn according: ISO268; ISO1101; ISO2553 Status: Customer reference number: Product key: ROP-F3-C-100-W-G-L-B-B-NA Part number: ROFC100330_SP Rev: -
--	---	--