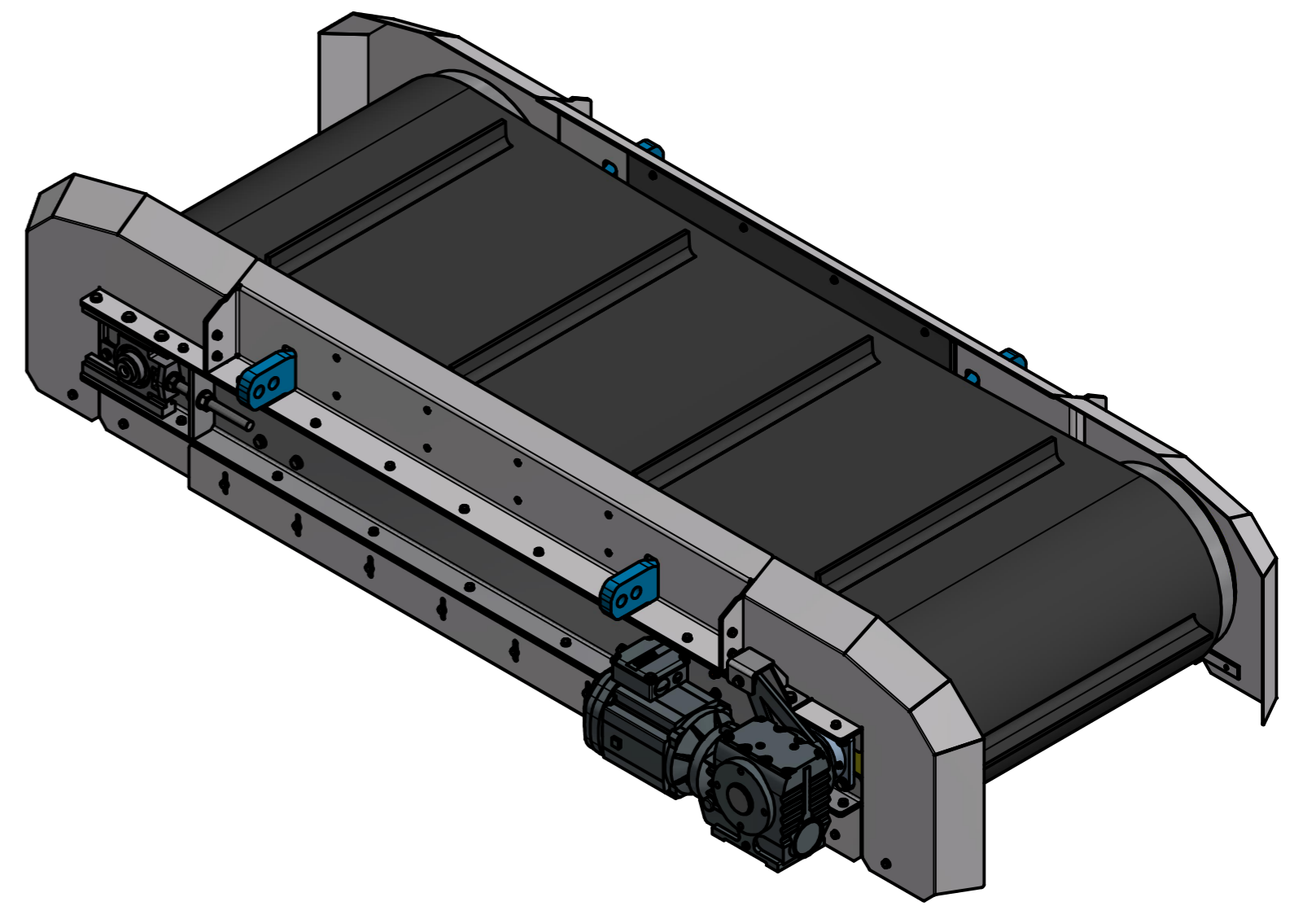
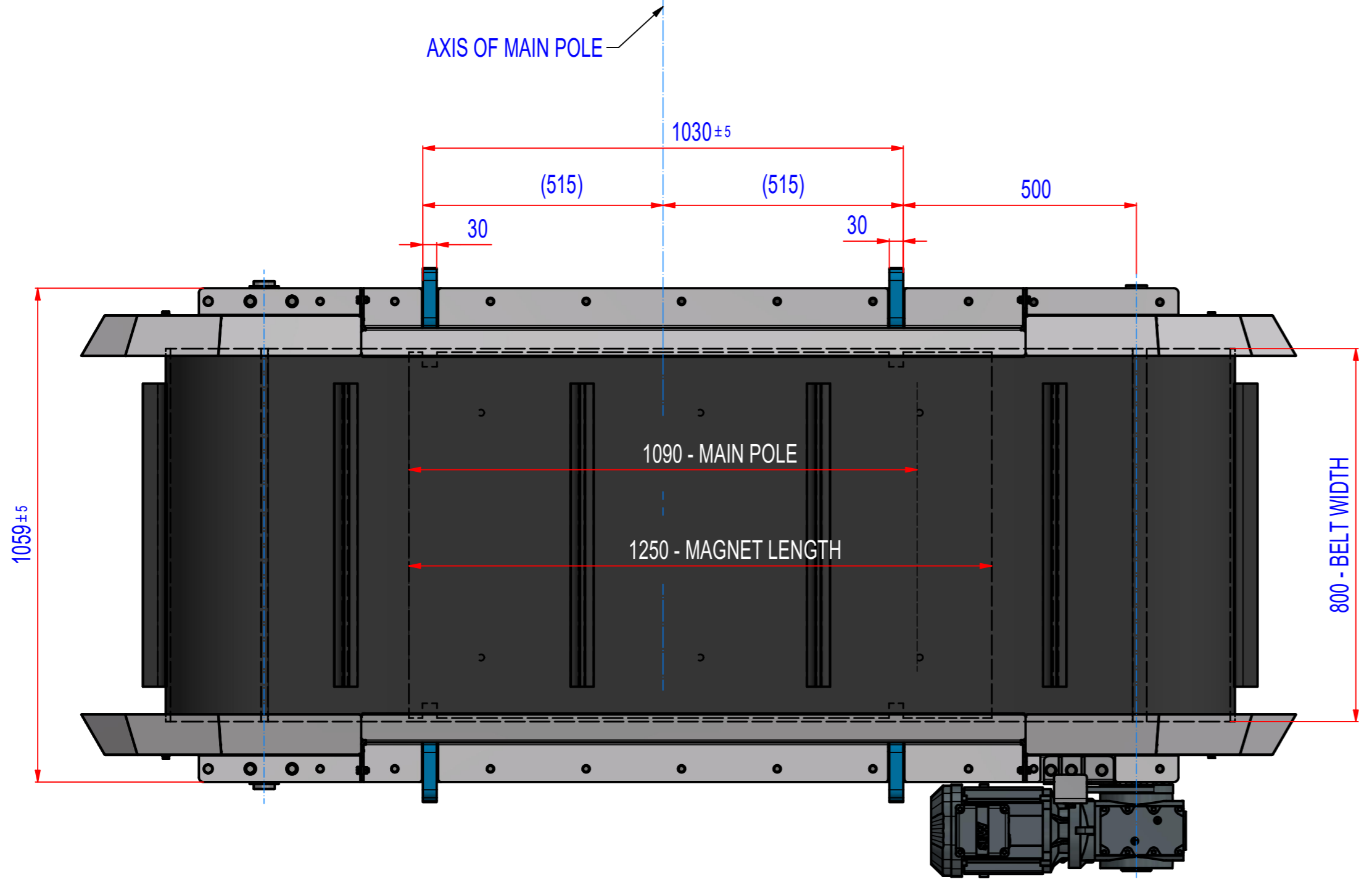
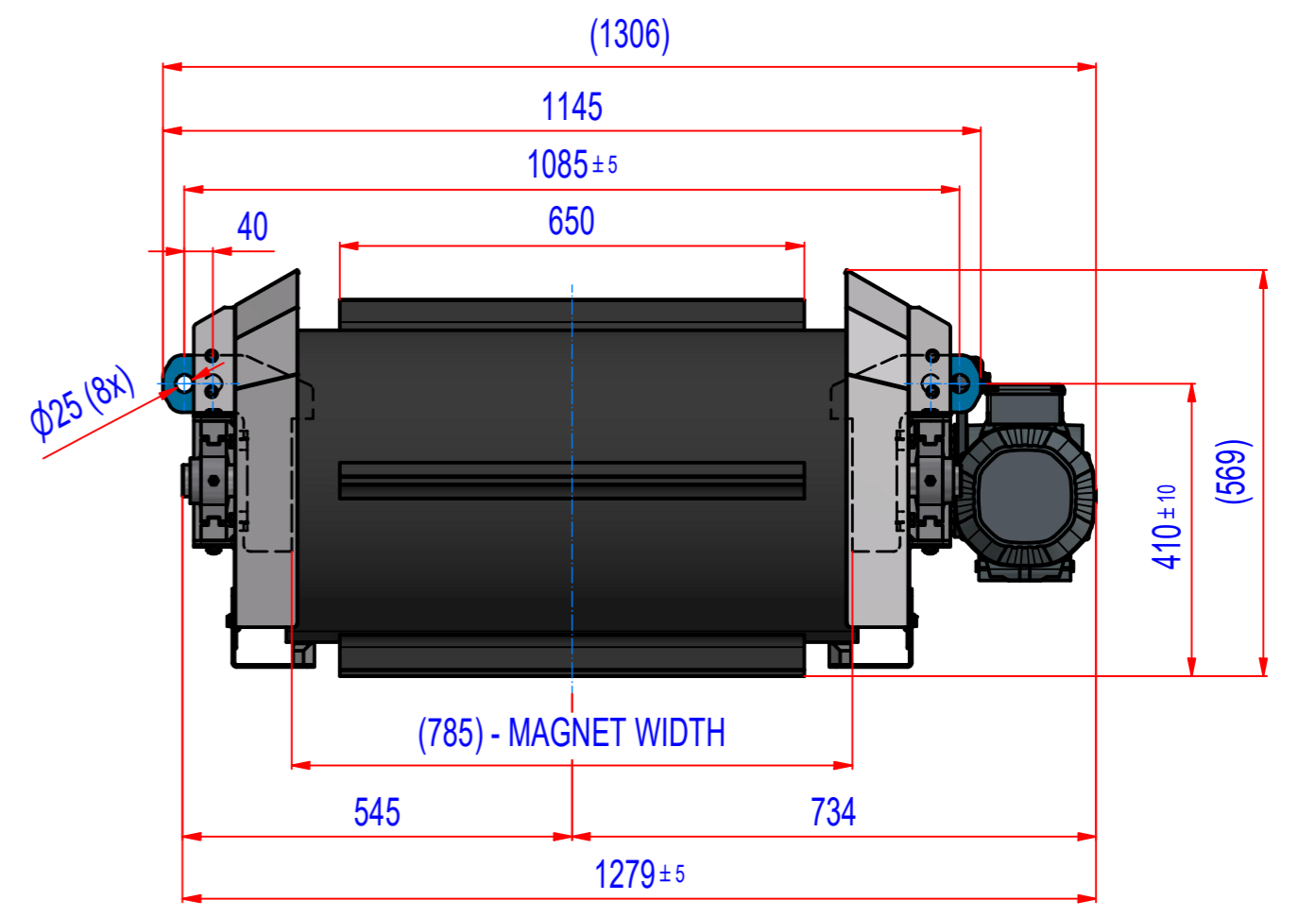
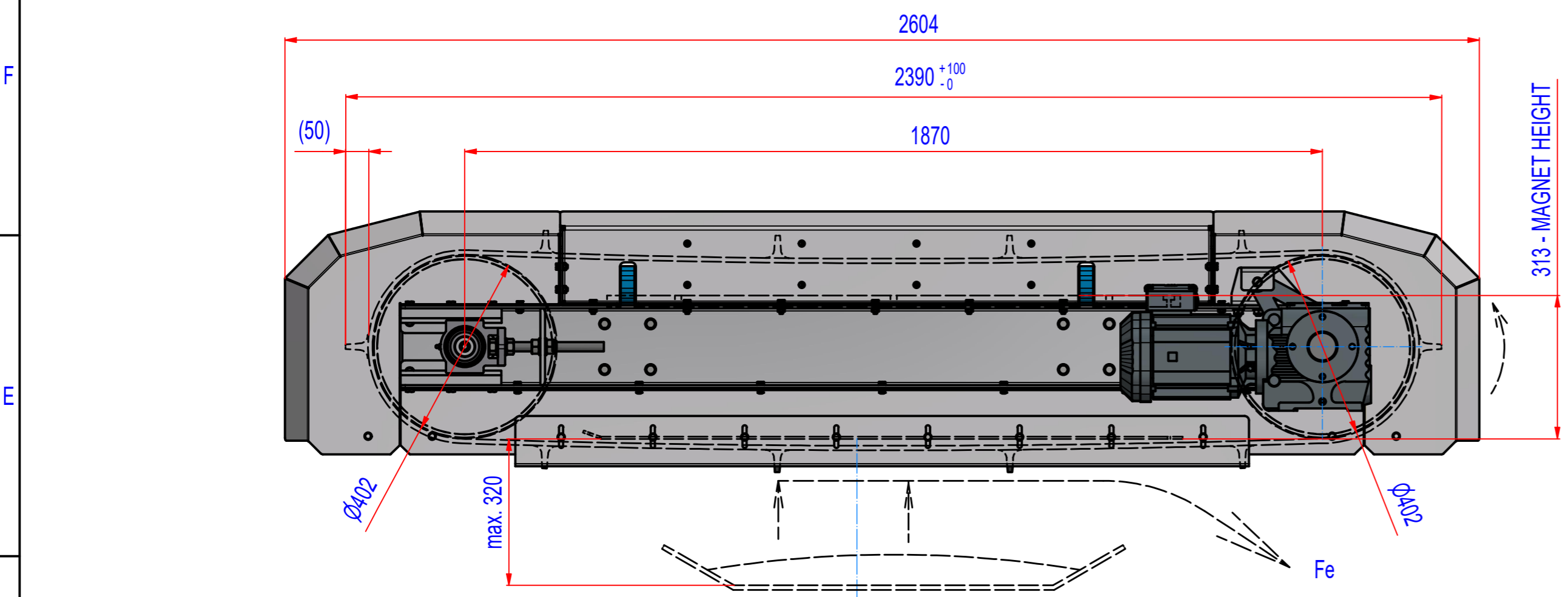


REV	DATE	BY	DESCRIPTION
-	04.05.2022	PH	Source ROFC100340, covering according size 3 for mobile unit



POZ./POS.	Č. SOUČÁSTI/ PART NUMBER	POPIS / DESCRIPTION	HMOT./ WEIGHT
1	B582_000000	ROFC100341	1789,3
Sheet: A2 Drawn: PH Date: 04.05.2022 Predecessor: ROFC100340 Quick search:		Extra info: GOUDSMIT MAGNETICS <small>© All rights reserved. Reproduction is not permitted without written permission of GOUDSMIT Magnetic Systems BV</small>	General tolerance: ISO 2768 - cL Drawn according: ISO268; ISO1101; ISO2553 Status: Customer reference number: Product key: ROP-F4-C-100-W-G-R-B-B-M-NA Part number: ROFC100341 Rev: -
Description: Overbelt separator, Ferrite, size 4, W1000, spec for mobile			