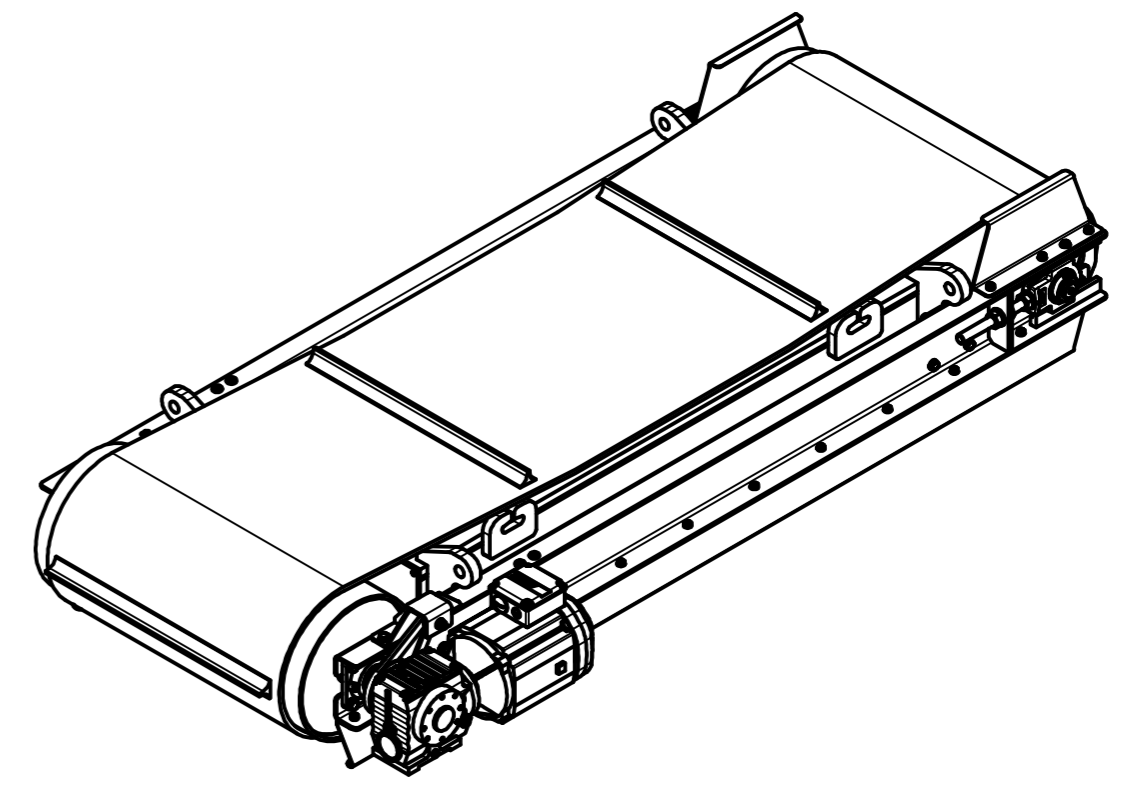
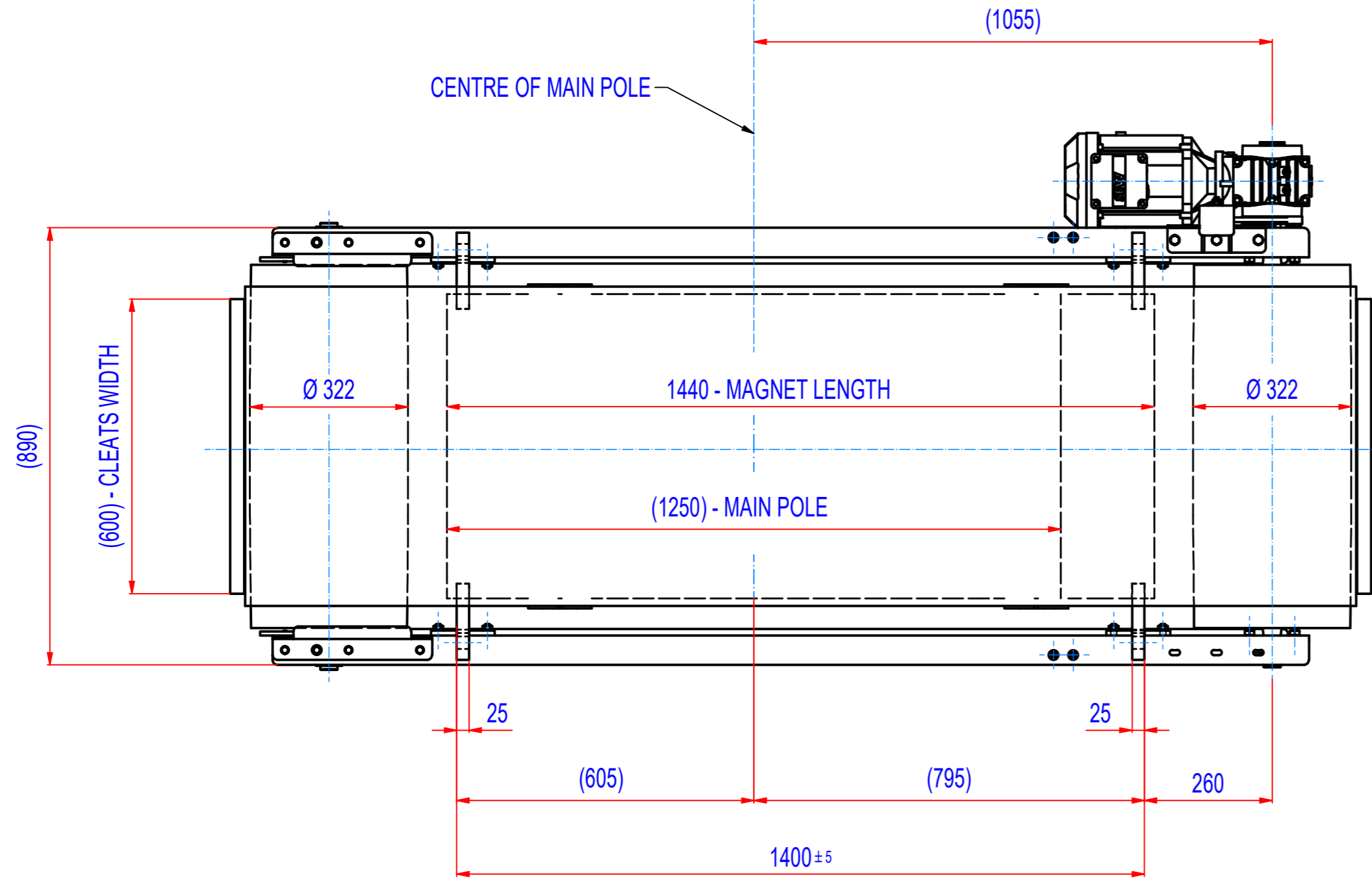
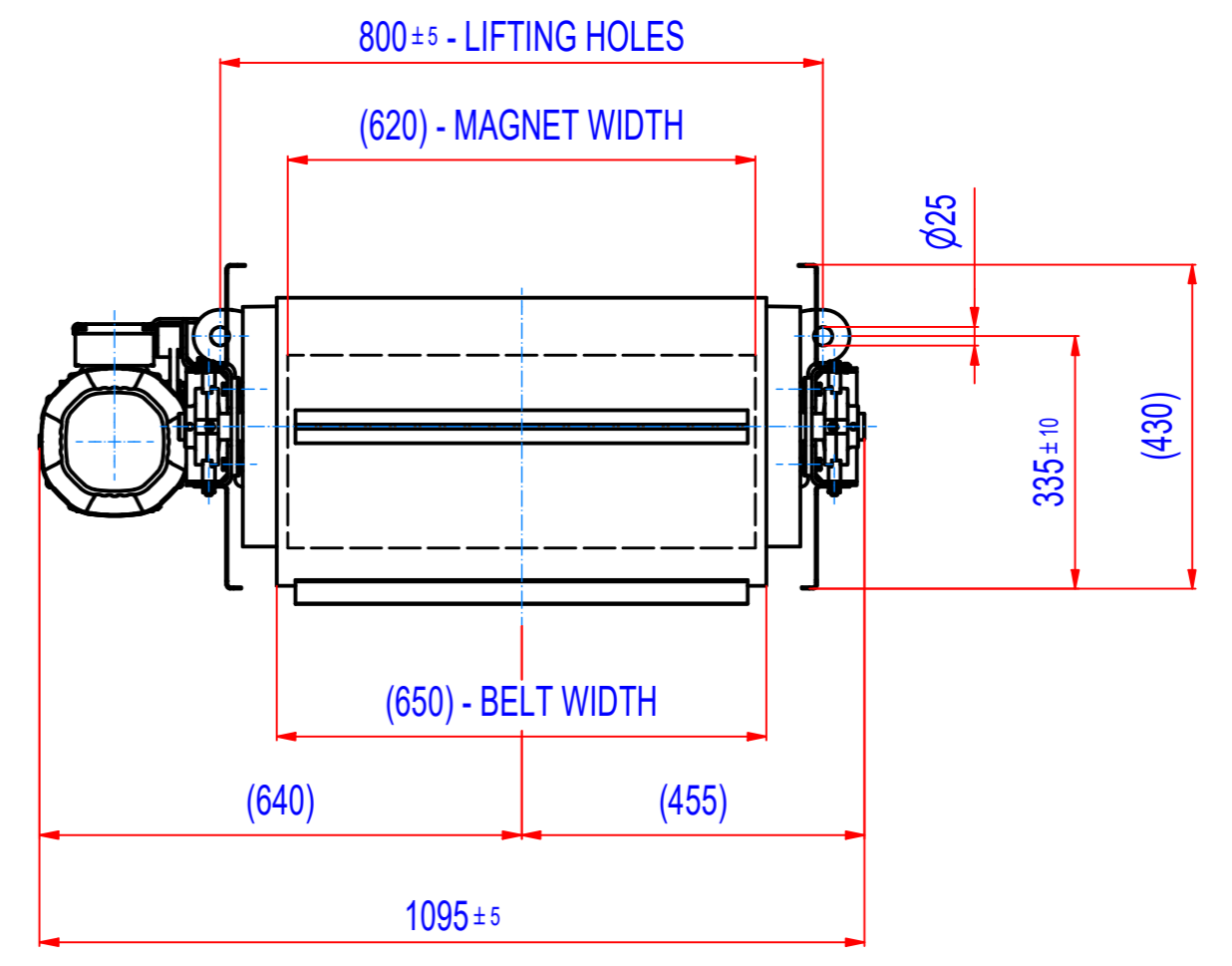
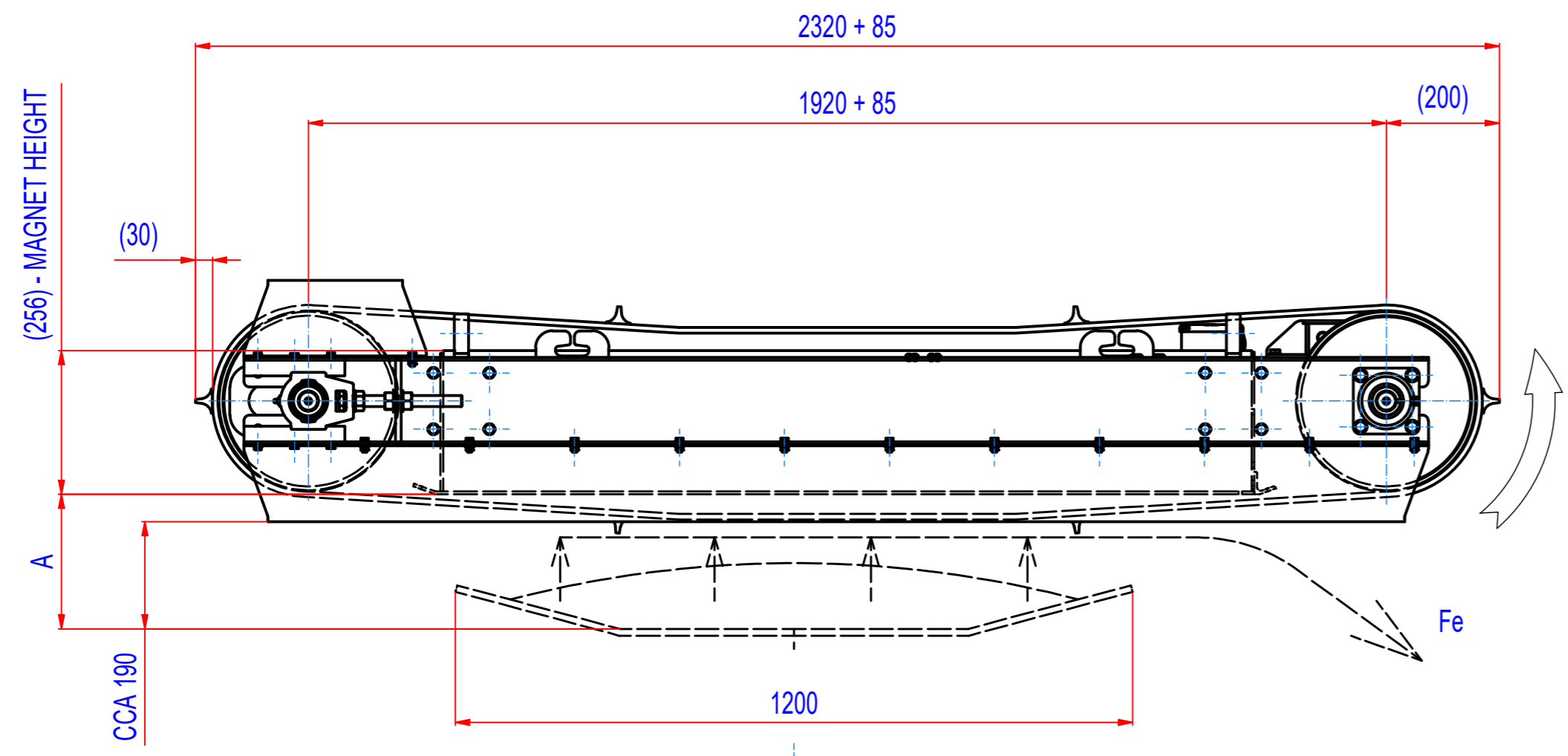


REV	DATE	BY	DESCRIPTION
-	02.04.2019	PW	NEW VAULT, OLD REV.C



A = 320 mm - max. catch distance for rod Ø15, L=75 mm (VDE)
A = 240 mm - 400 Gs

- GEARED BOX SEW SA57/TDRN100LS4, i=14,24 (102RPM), MOTOR 230/400V, 2,2kW, 50Hz, IP55
- DRUM SPEED 102/min
- BELT SPEED 1,7 m/s
- BELT EB400, WIDTH 650, LENGTH 4900, 6 CLEATS T30/10, WIDTH 600

Sheet: A2	Extra info:	General tolerance: ISO 2768 - cL
Drawn: PW	Weight (kg): 1156,4 kg	Drawn according: ISO268; ISO1101; ISO2553
Date: 02.04.2019		Status:
Predecessor: SEPB120033		Customer reference number:
Quick search: XSPB 3	© All rights reserved. Reproduction is not permitted without written permission of GOUDSMIT Magnetic Systems BV	Product key: ROP-F3-C-120-W-G-L-B-B-NA
Description: Overband separator, Ferrite, Size 3, W1200, Cross		Part number: ROFC120330