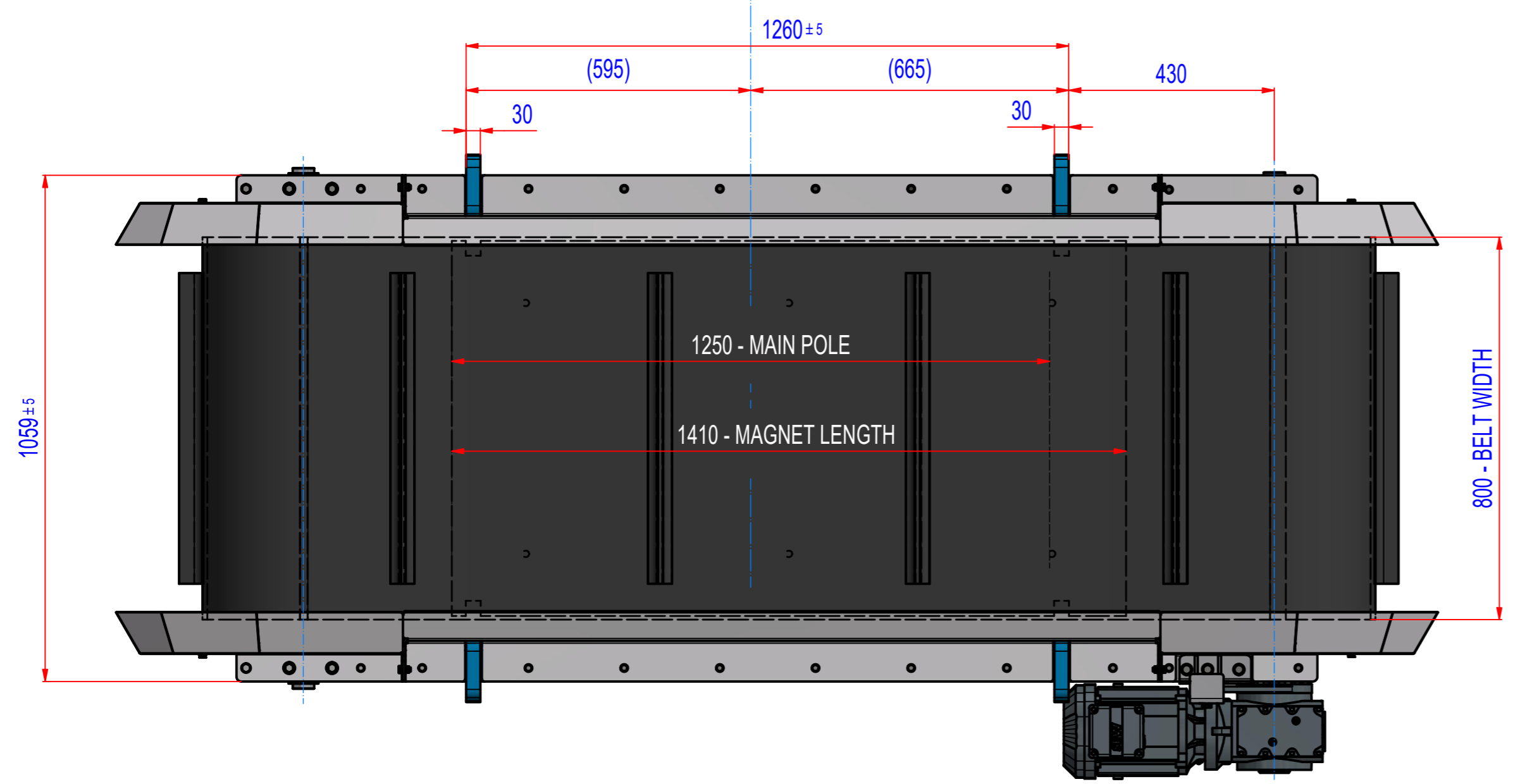
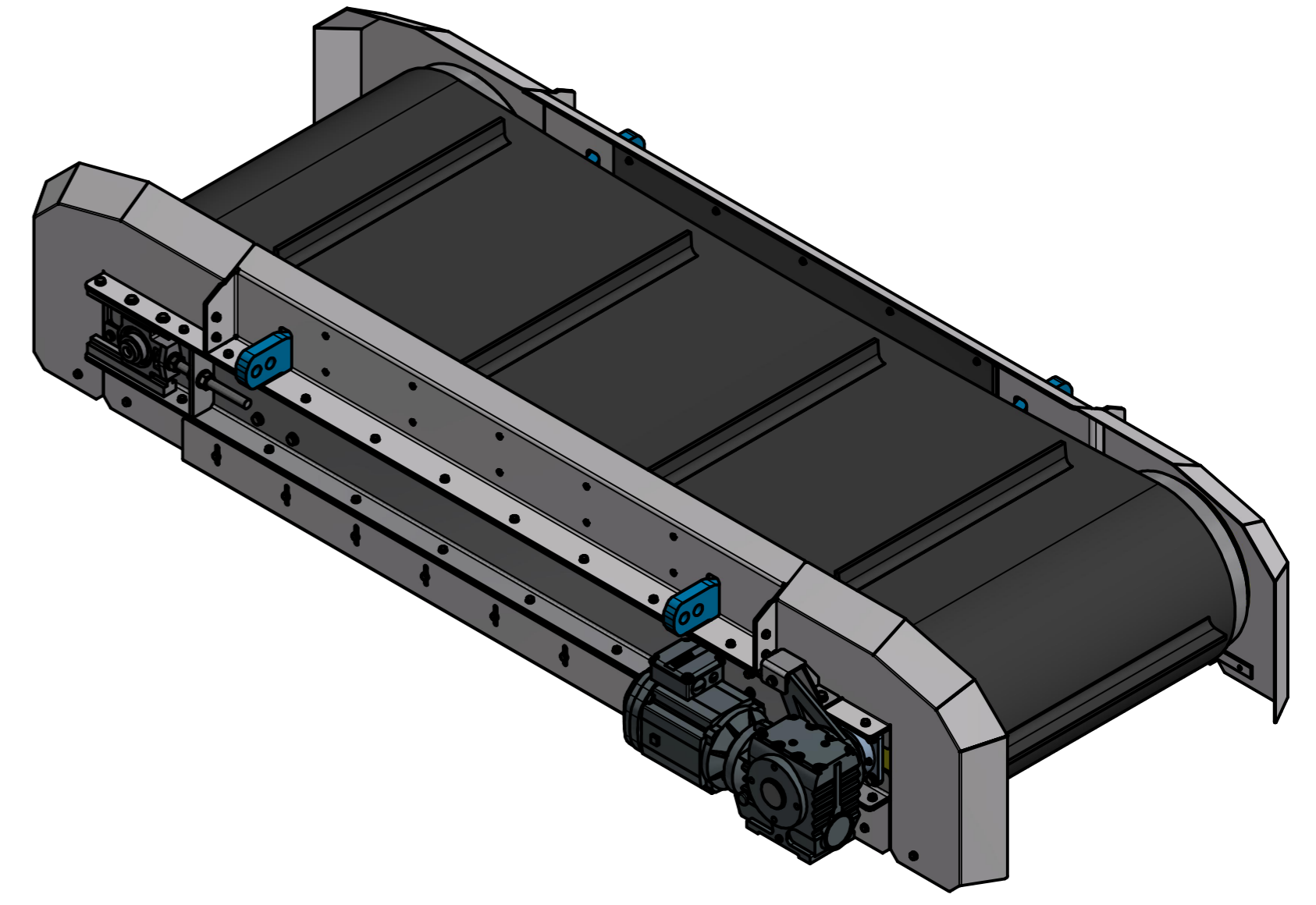
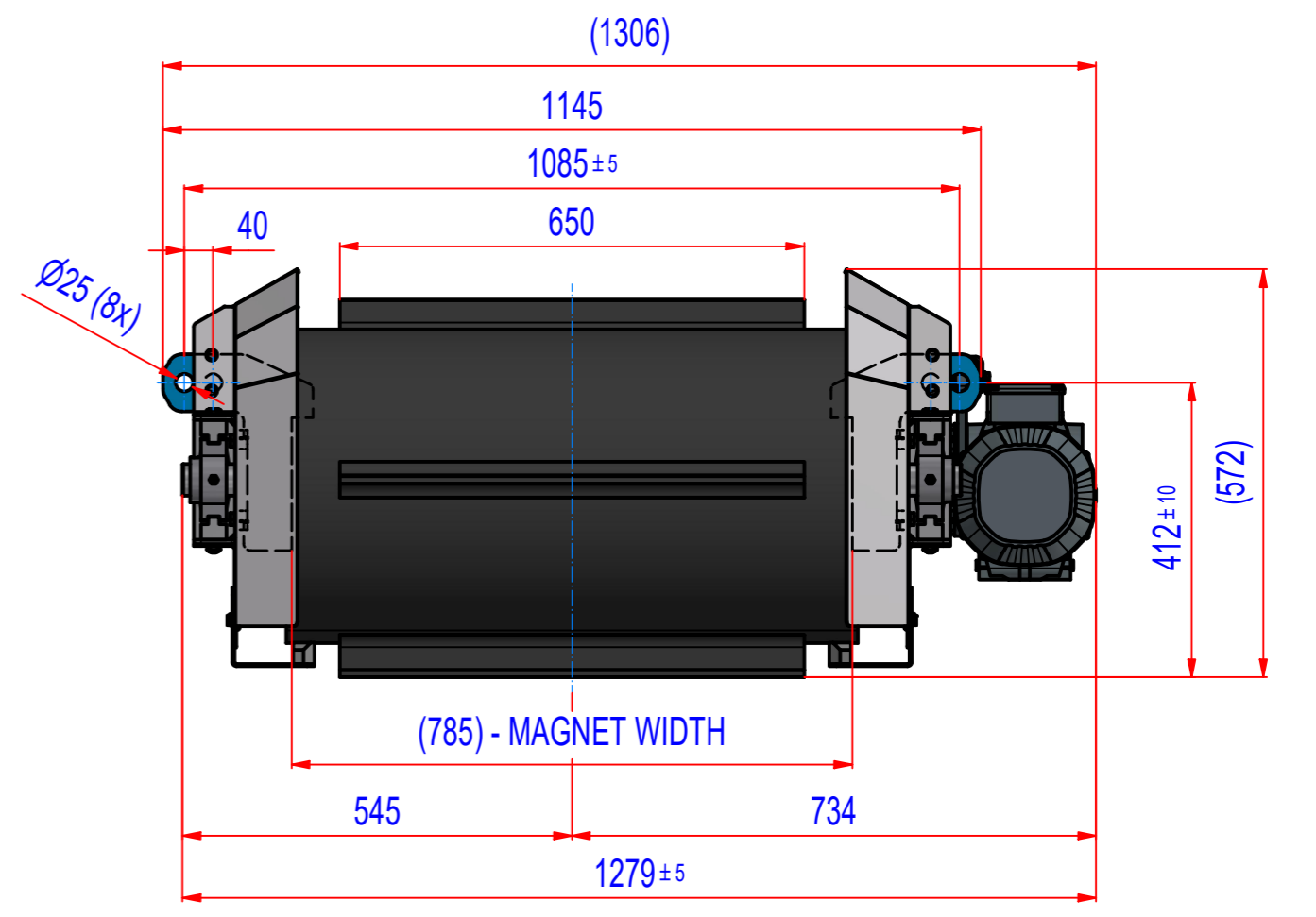
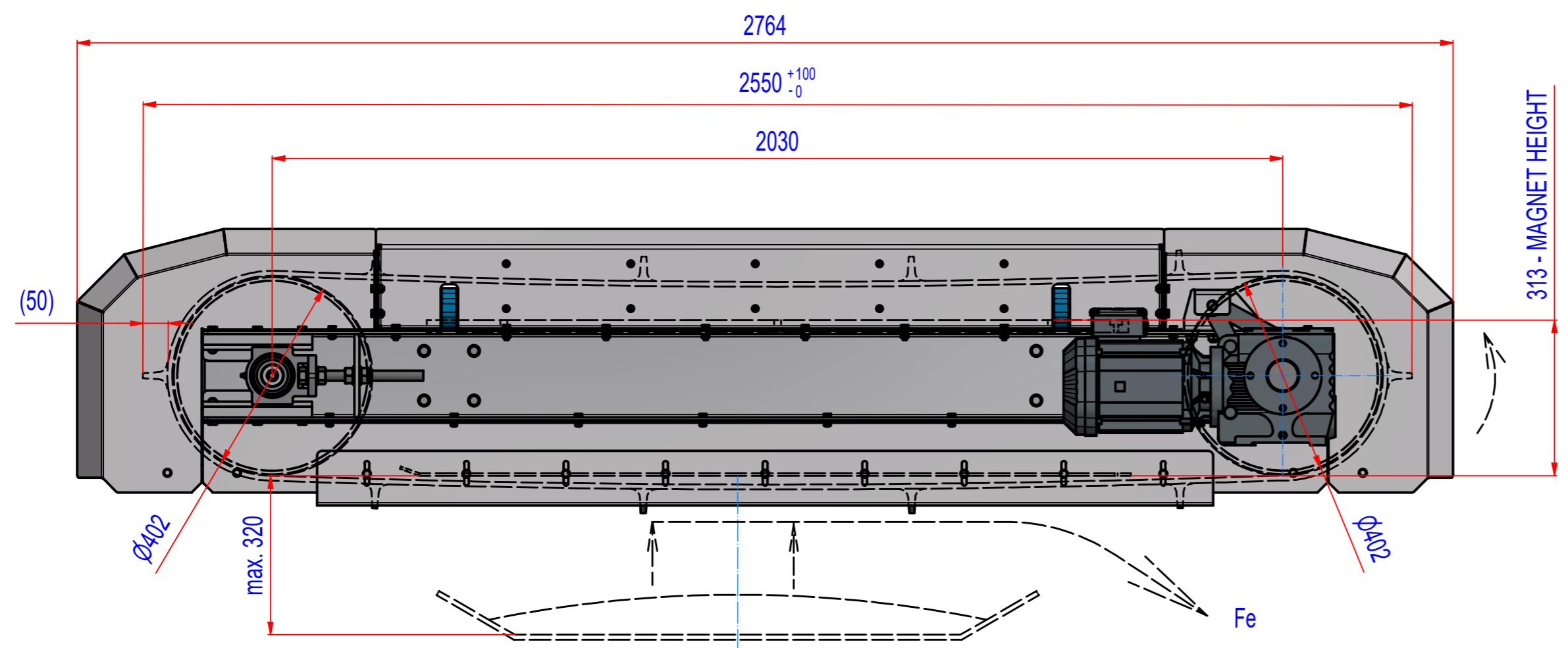


REV	DATE	BY	DESCRIPTION
-	14.03.2022	PW	Source ROFC120340, covering according size 3 for mobile unit



POZ./POS.	Č. SOUČÁSTI/ PART NUMBER	POPIS / DESCRIPTION	HMOT./ WEIGHT
1	B487_000000	ROFC120341	1945,6
Sheet: A2 Drawn: PW Date: 14.03.2022 Predecessor: ROFC120340 Quick search:		Extra info: GOUDSMIT MAGNETICS <small>© All rights reserved. Reproduction is not permitted without written permission of GOUDSMIT Magnetic Systems BV</small>	General tolerance: ISO 2768 - cL Drawn according: ISO268; ISO1101; ISO2553 Status: Customer reference number: Product key: ROP-F4-C-120-W-G-R-B-B-M-NA Part number: ROFC120341 Rev: -
Description: Overband separator, Ferrite, size 4, W1200, spec for mobile			