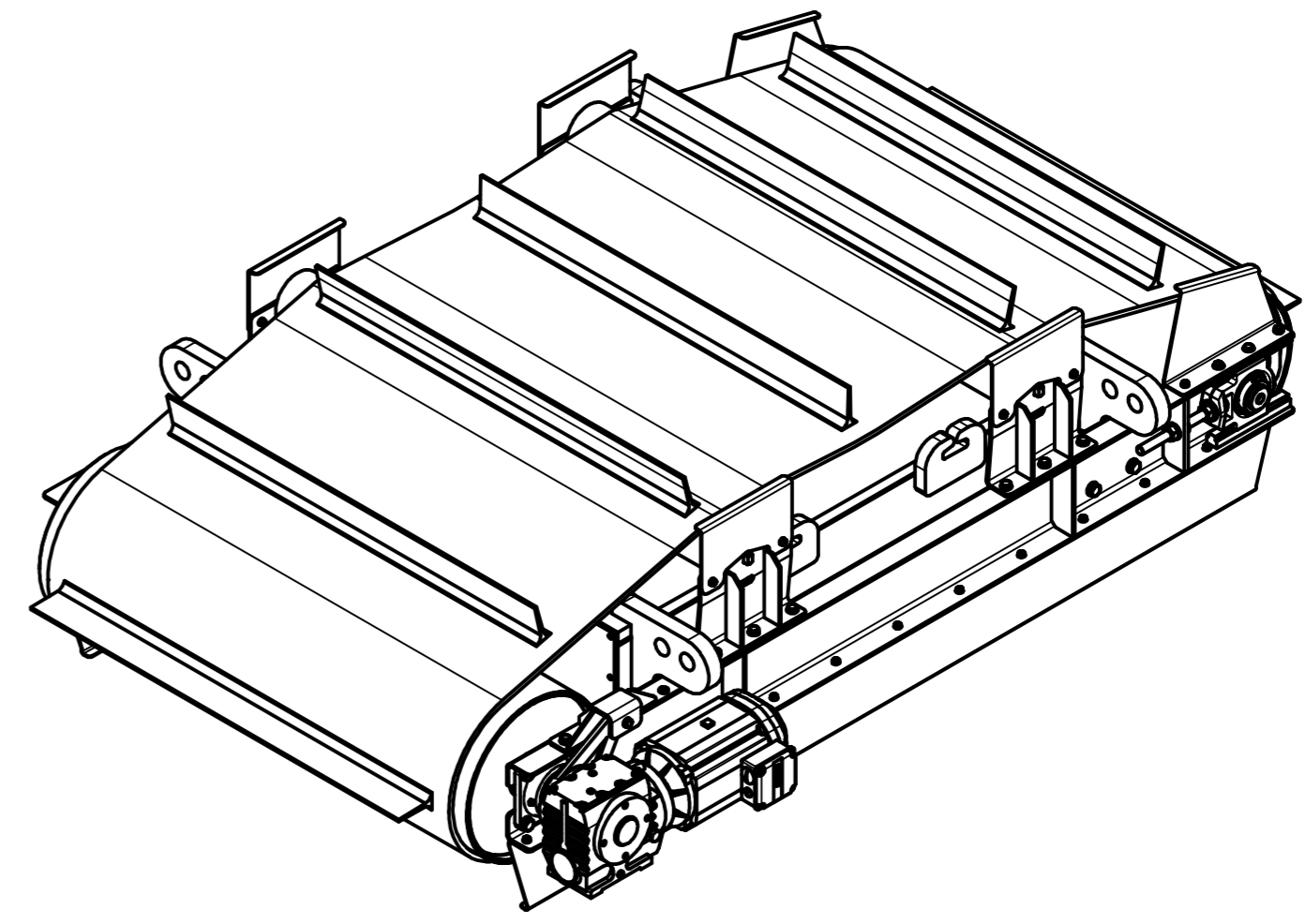
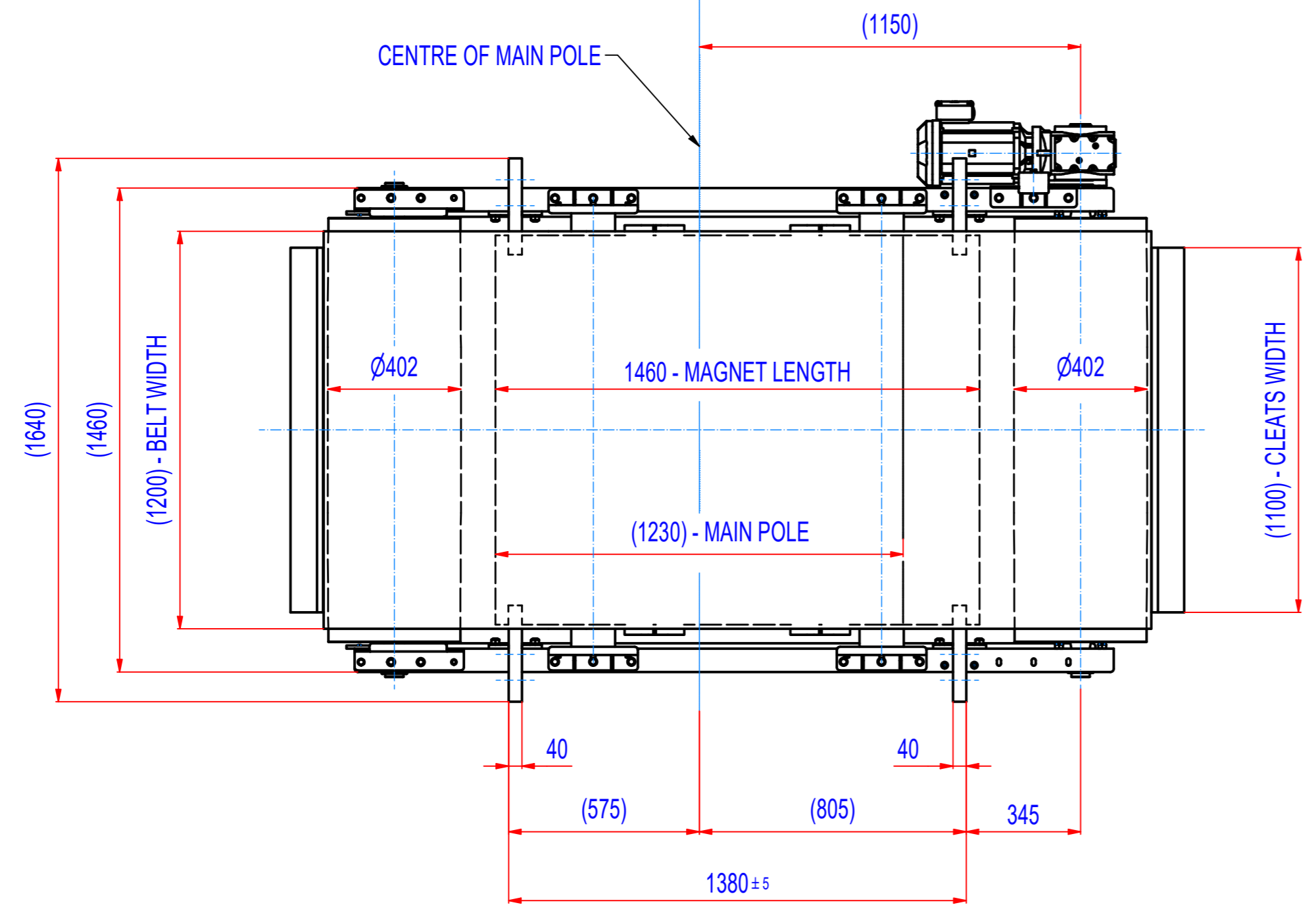
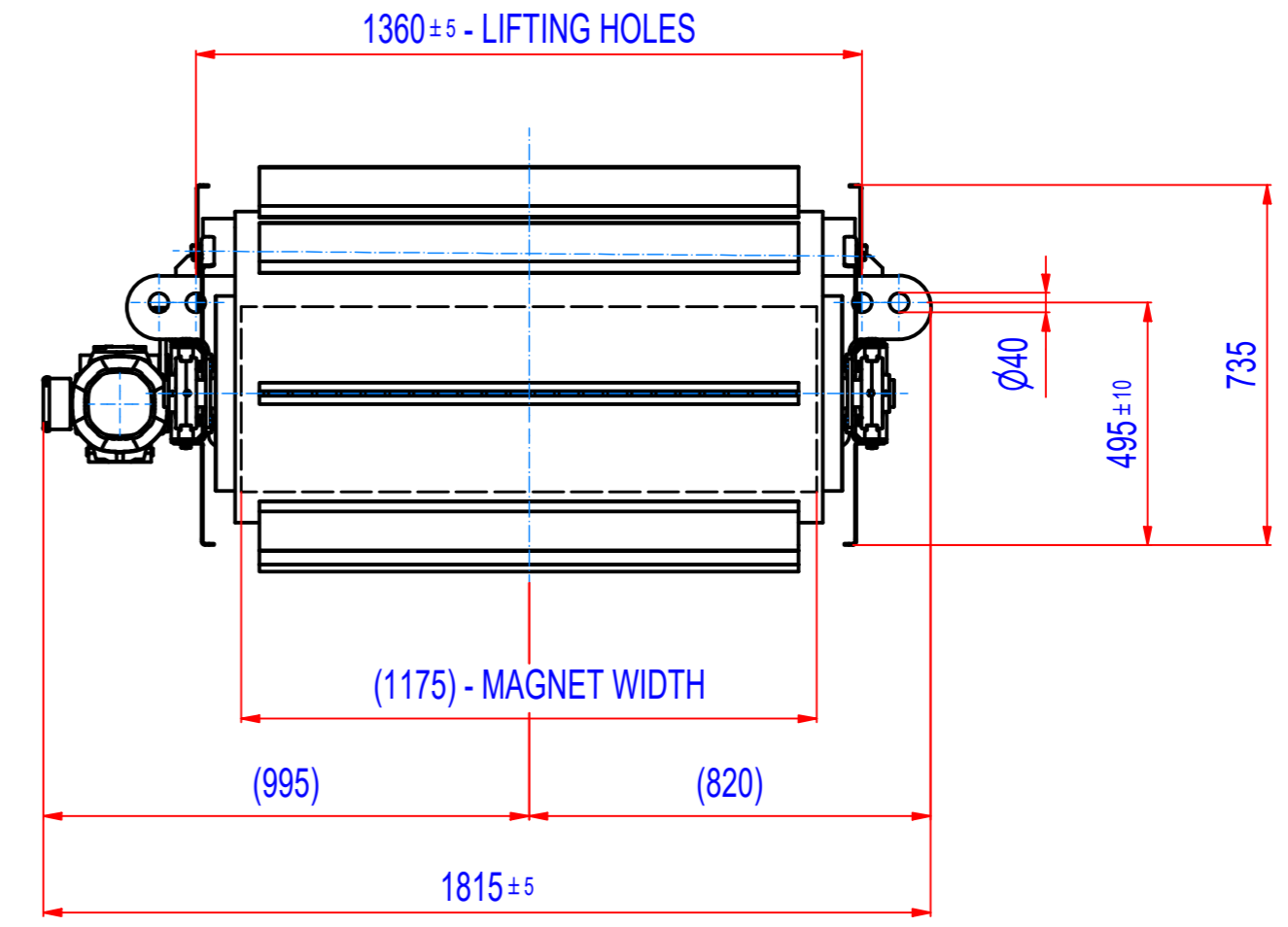
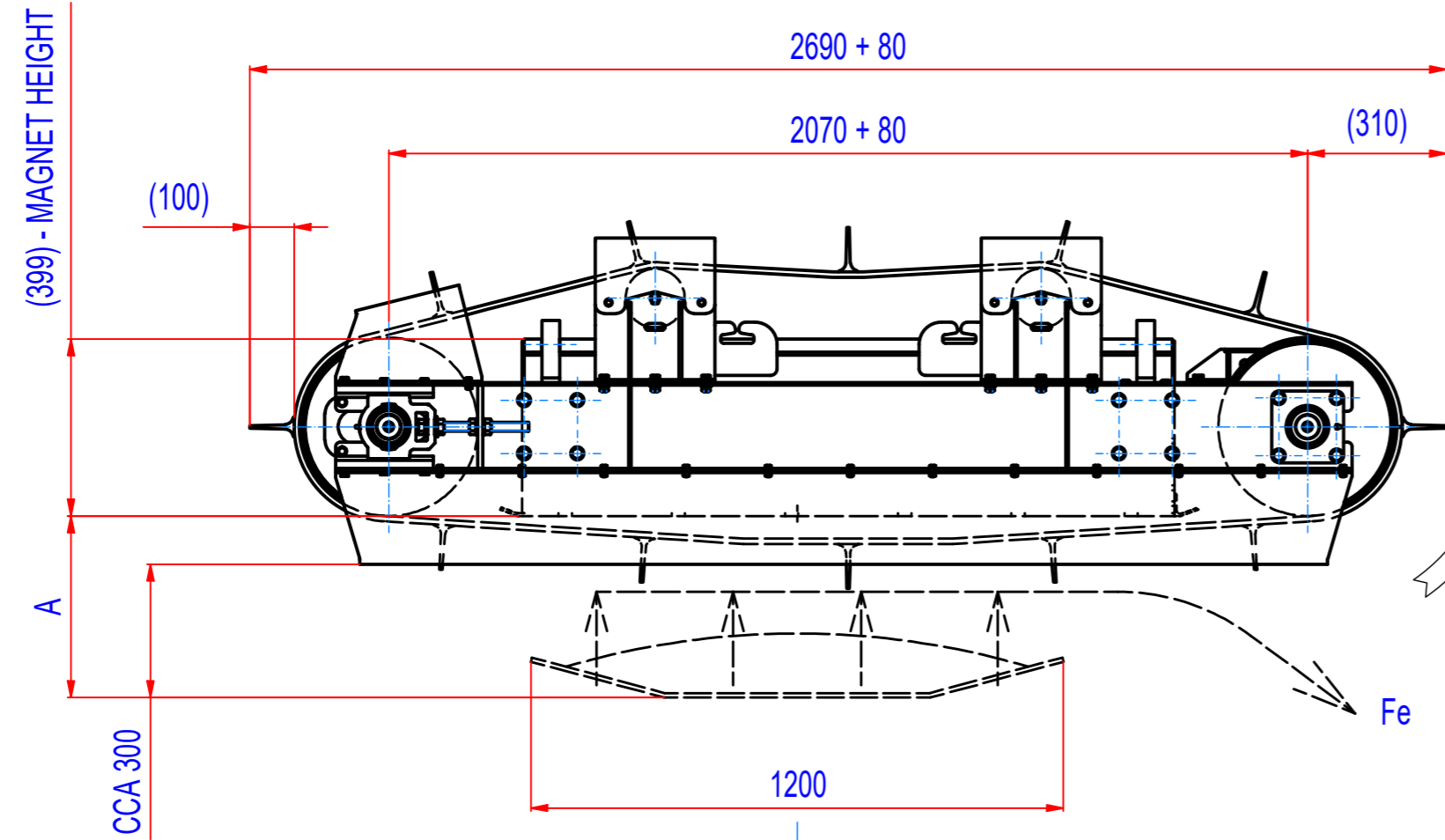


REV	BY	DATE	DESCRIPTION
-	LF	15.07.2019	ORIGINAL DRAWING



A = 460 mm - max. catch distance for rod Ø15, L=75 mm (VDE)
A = 410 mm - 400 Gs

- GEARED BOX SEW SA67/T DRN100L4, i=20,37 (71RPM),
MOTOR 230/400V, 3kW, 50Hz, IP55
- DRUM SPEED 71/min
- BELT SPEED 1,5 m/s
- BELT EP500/4 5+2, LENGTH 5500, WIDTH 1200,
12 CLEATS T100/10, WIDTH 1100

Sheet: A2	Extra info:	General tolerance: ISO 2768 - cL
Drawn: LF	Weight (kg): 3513.2	Drawn according to: ISO268; ISO1101; ISO2553
Date: 15.7.2019	Predecessor: SEPB120036	Status:
Quick search: XSPB 6	<p>© All rights reserved. Reproduction is not permitted without written permission of GOUDSMIT Magnetic Systems BV</p>	Customer reference number:
Description: Overband separator, Ferrite, Size 6, W1200, Cross		Product key: ROP-F6-C-120-W-G-L-B-B-NA
		Part number: ROFC120360