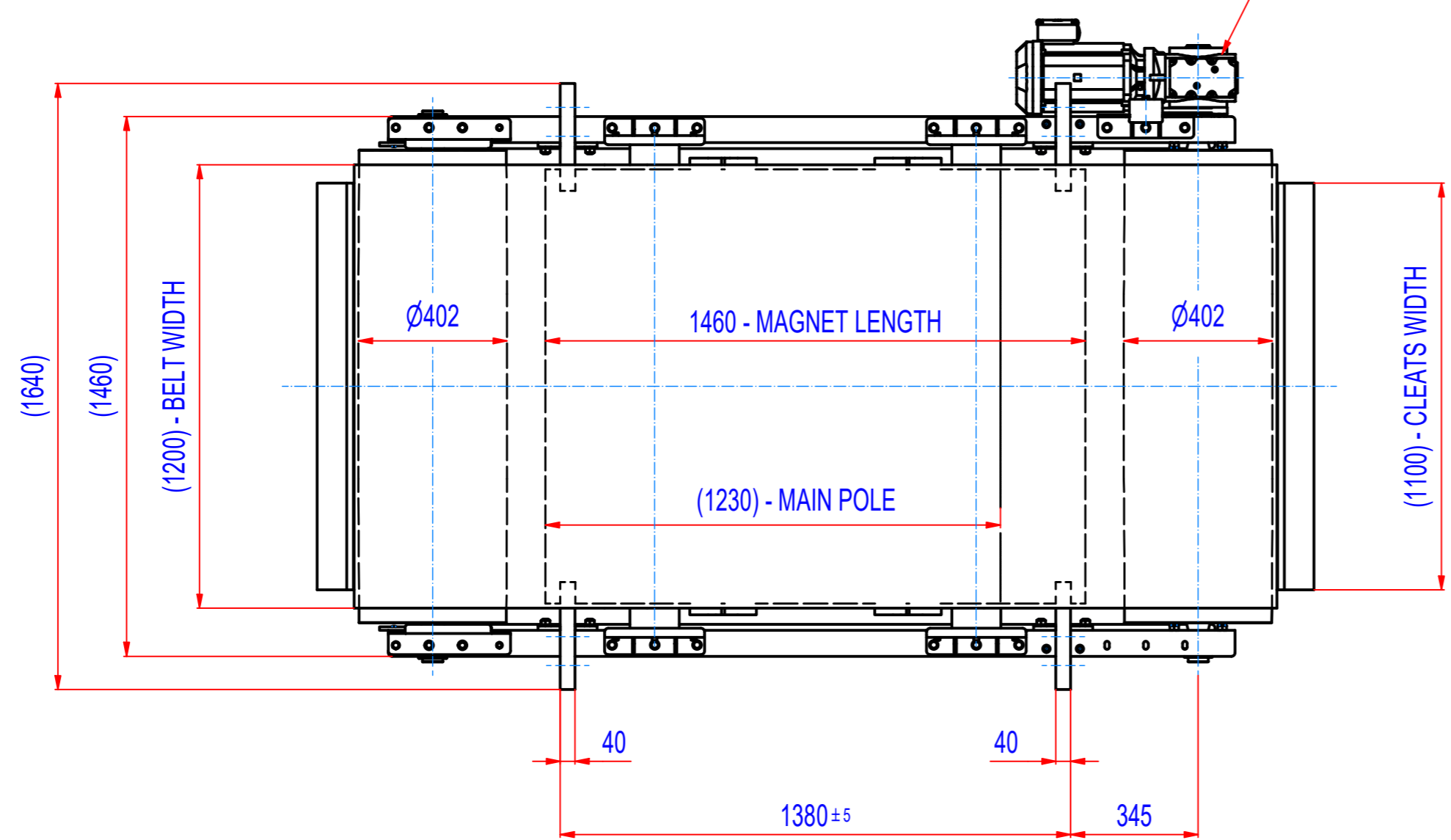
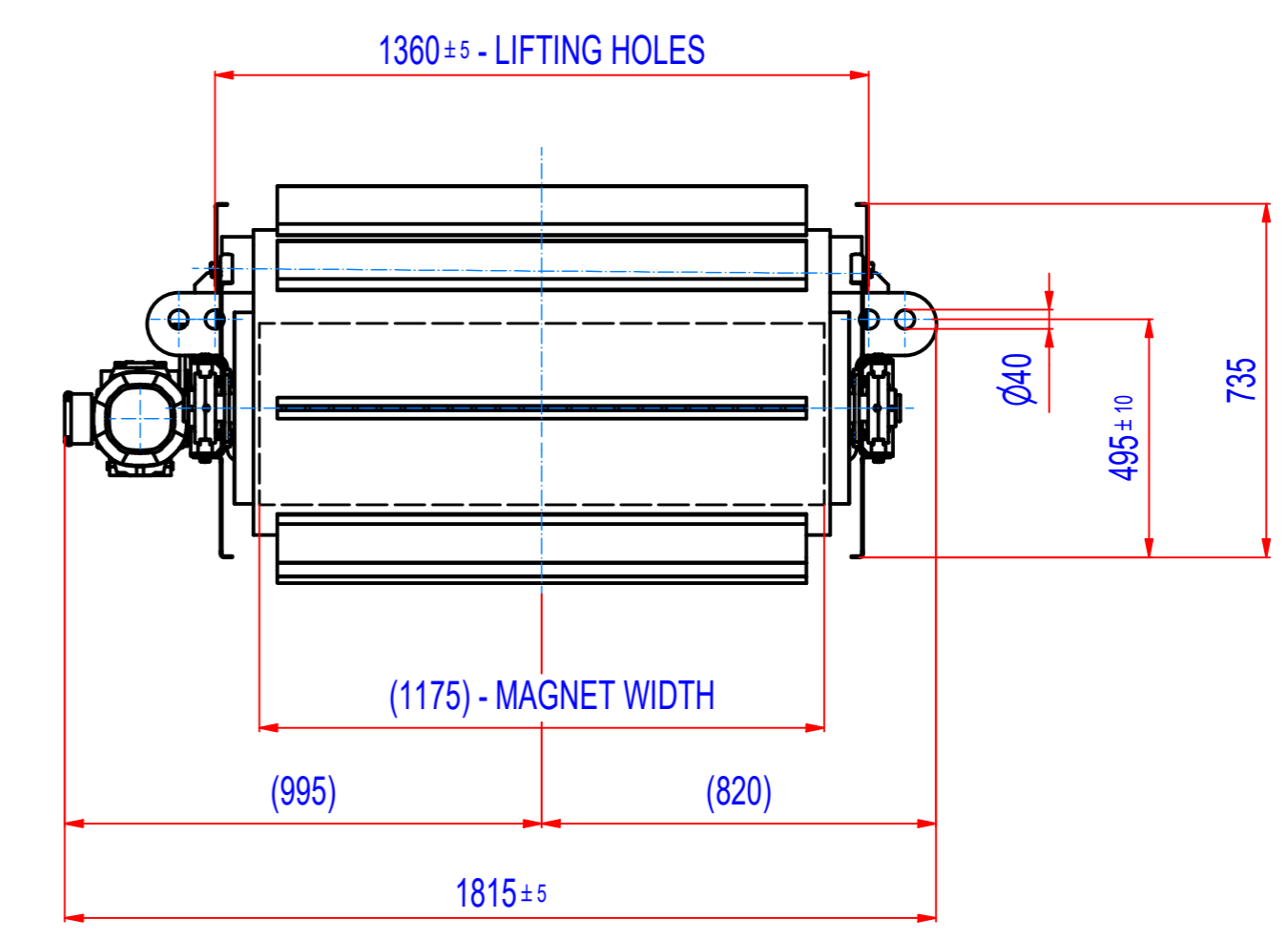
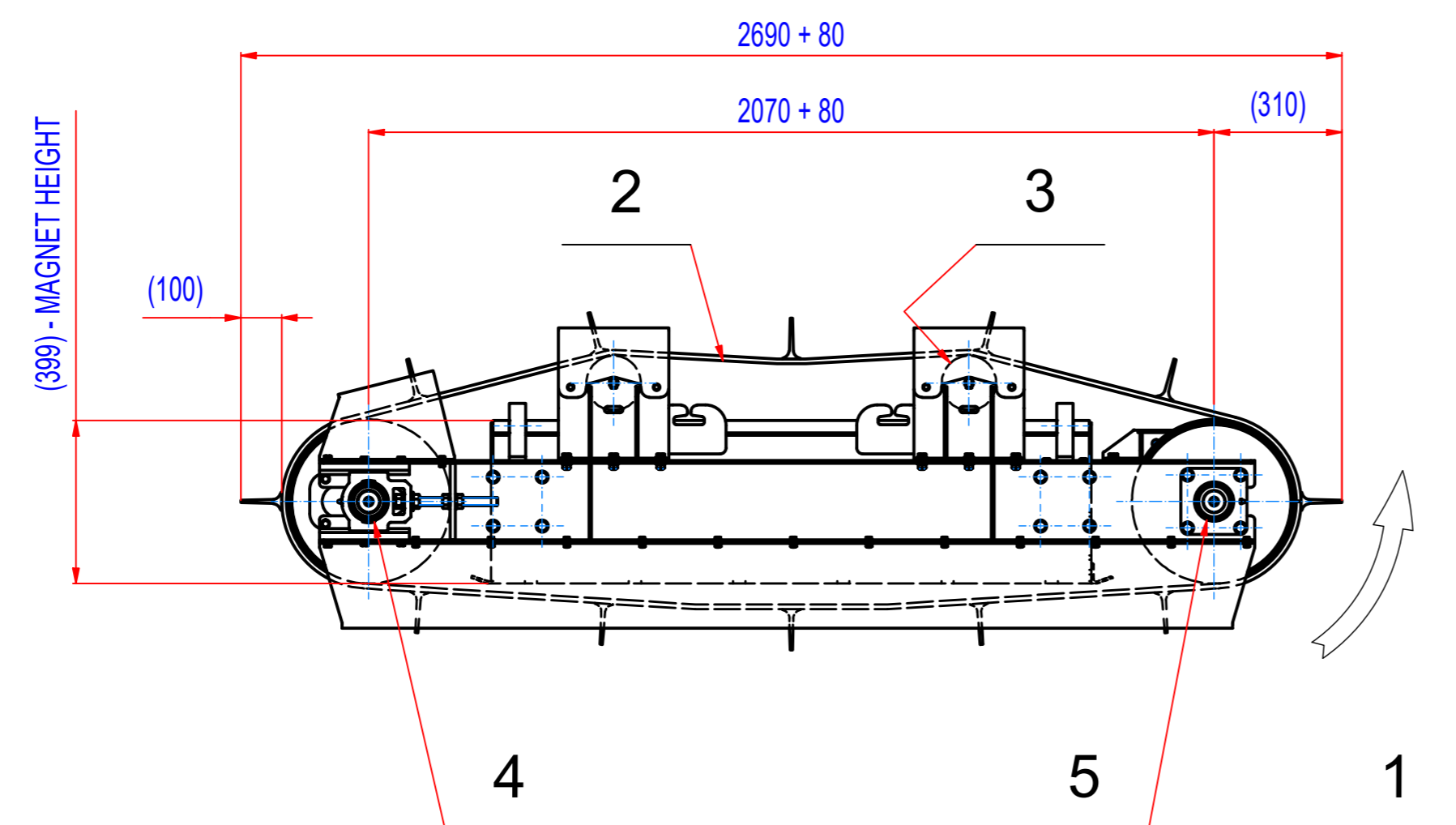


REV	BY	DATE	DESCRIPTION
-	LF	15.07.2019	ORIGINAL DRAWING
			24.03.2023 - REDUCTION IN THE NUMBER OF SPARE PARTS



- GEARED BOX SEW SA67/T DRN100L4, i=20,37 (71RPM),
 MOTOR 230/400V, 3kW, 50Hz, IP55
 - DRUM SPEED 71/min
 - BELT SPEED 1,5 m/s
 - BELT EP500/4 5+2, LENGTH 5500, WIDTH 1200,
 12 CLEATS T100/10, WIDTH 1100

POZ.	Č. SOUČÁSTI	POPIS	MATERIÁL	HMOT. MN.
5	15_8700055	BEARINGS ASSEMBLY INA PCJ 55		3,5 2
4	15_8600057	BEARINGS ASSEMBLY INA PTUE 55		4 2
3	1510_00053	PLAIN ROLLER d=133, L=1330		27 2
2	45_4120001	BELT EP500/4 5+2, W=1200, L=5500	RUBBER	120 1
1	MO30007116	SEW SA67/TDRN100L4, 3kW, i=20,37 (71 RPM)		64 1

Sheet: A2 Drawn: LF Date: 15.7.2019 Predecessor: SEPB120036 Quick search: XSPB 6 Description: SPARE PARTS FOR ROFC120360	Extra info: © All rights reserved. Reproduction is not permitted without written permission of GOUDSMIT Magnetic Systems BV	General tolerance: ISO 2768 - cL Drawn according: ISO268; ISO1101; ISO2553 Status: Customer reference number: Product key: ROP-F6-C-120-W-G-L-B-B-NA Part number: ROFC120360_SP Rev: -
---	--	---