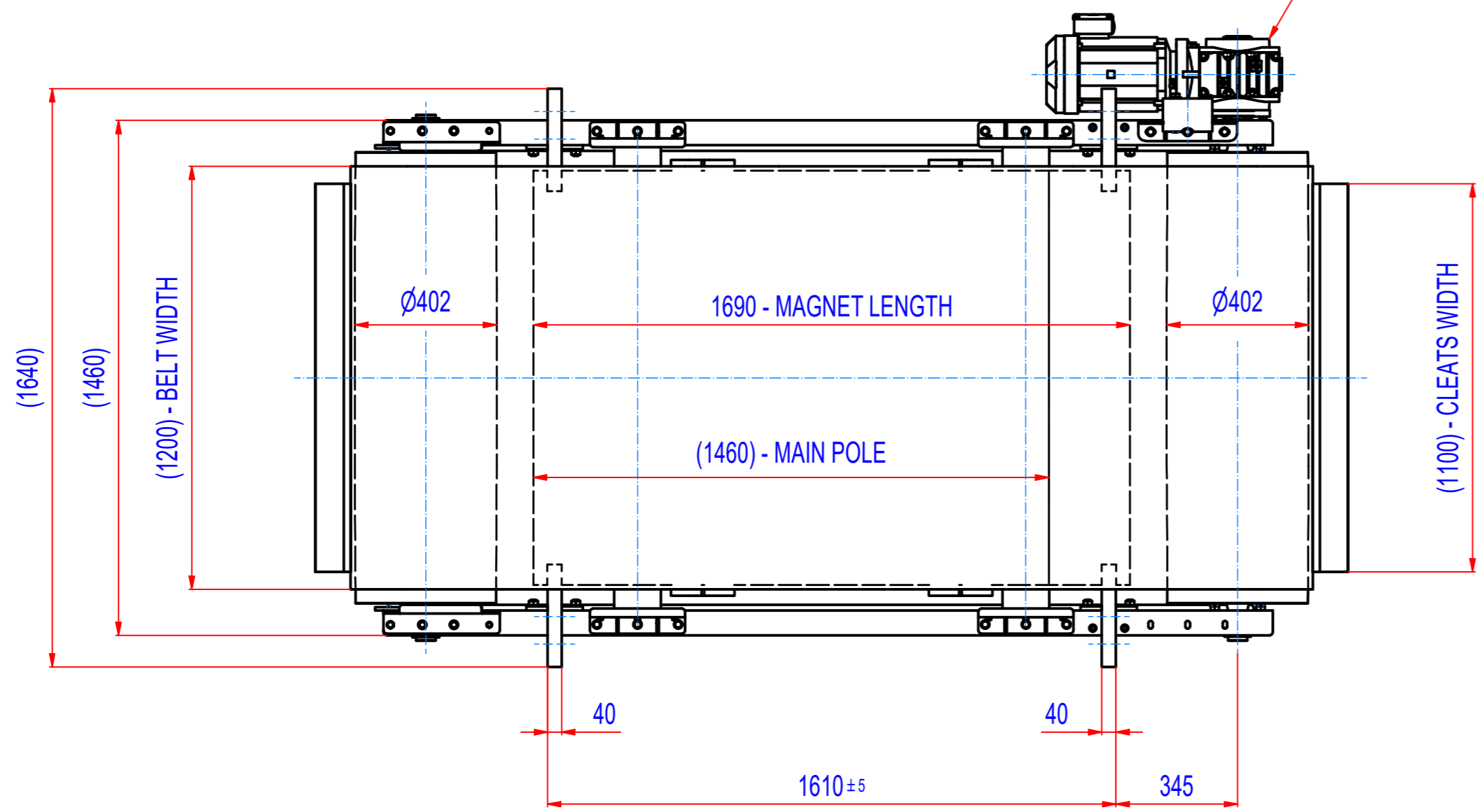
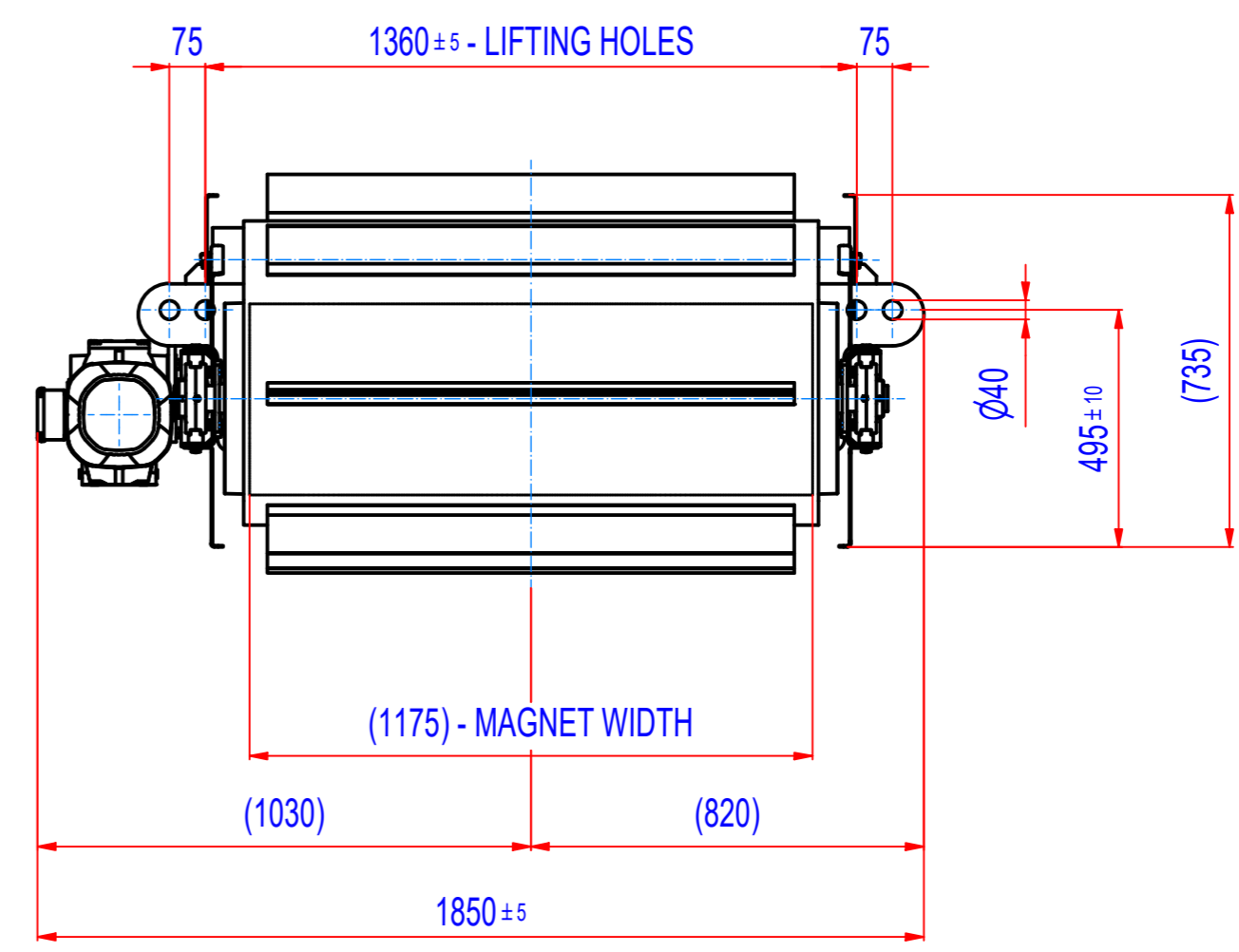
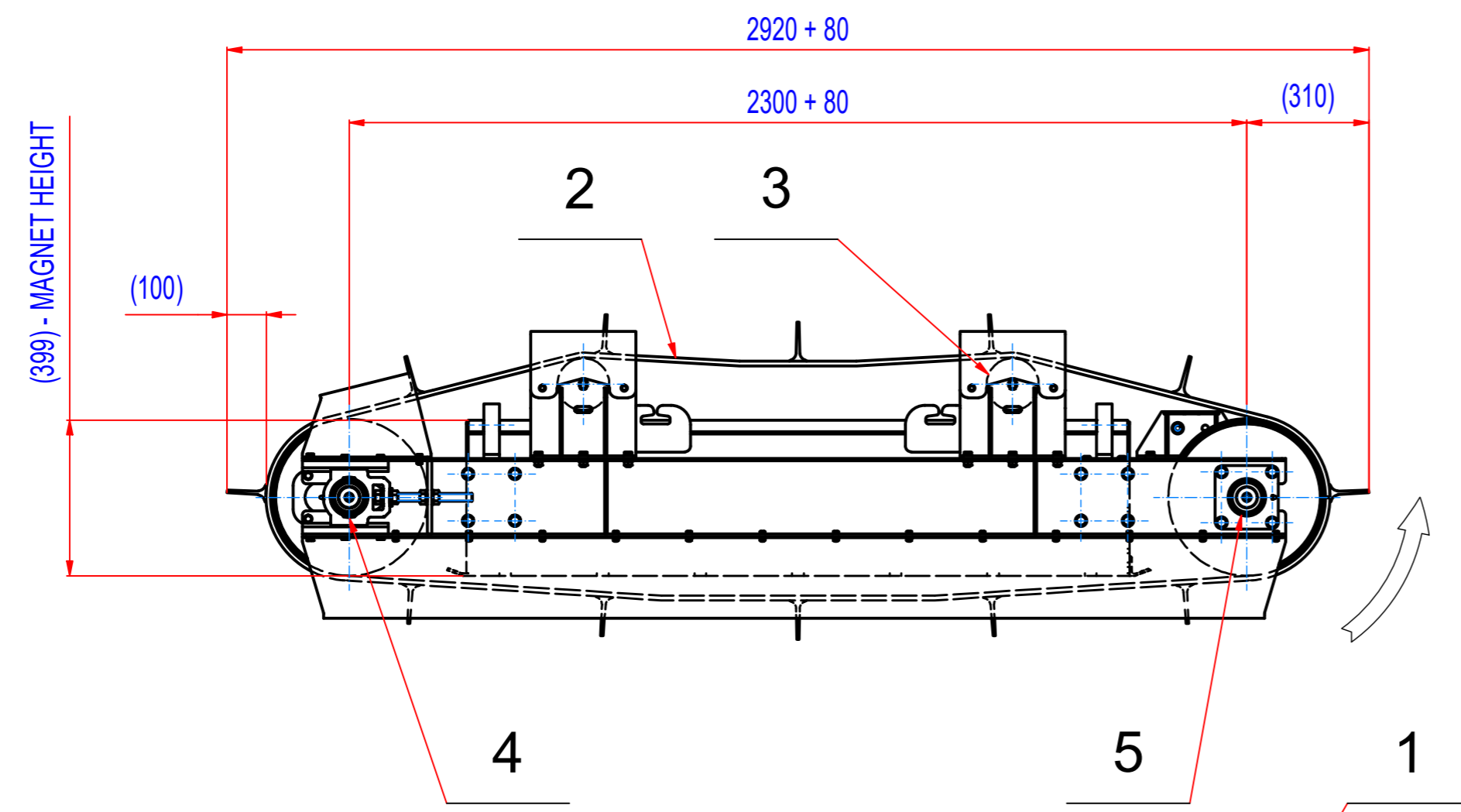


REV	BY	DATE	DESCRIPTION
-	LF	17.07.2019	ORIGINAL DRAWING
			25.03.2023 - REDUCTION IN THE NUMBER OF SPARE PARTS



- GEARED BOX SEW SA77/T DRN112M4, i=20,99 (70RPM),  
 MOTOR 230/400V, 4kW, 50Hz, IP55  
 - DRUM SPEED 70/min  
 - BELT SPEED 1,45 m/s  
 - BELT EP500/4 5+2, LENGTH 5950, WIDTH 1200,  
 12 CLEATS T100/10, WIDTH 1100

POZ.	Č. SOUČÁSTI	POPIS	MATERIÁL	HMOT.	MN.
5	15_8700055	BEARINGS ASSEMBLY INA PCJ 55		3,5	2
4	15_8600057	BEARINGS ASSEMBLY INA PTUE 55		4	2
3	1510_00053	PLAIN ROLLER d=133, L=1330		27	2
2	45_4120002	BELT EP 500/4 5+2, W=1200, L=5950	RUBBER	126	1
1	MO40007007	SEW SA77/TDRN112M4, 4kW, i=20,99 (70RPM)		95	1

Sheet: <b>A2</b> Drawn: <b>LF</b> Date: <b>17.7.2019</b> Predecessor: <b>SEPB140036</b> Quick search: <b>XSPB 6</b> Description: <b>SPARE PARTS FOR ROFC140360</b>	Weight (kg): <b>4045.4</b>  © All rights reserved. Reproduction is not permitted without written permission of GOUDSMIT Magnetic Systems BV	Extra info: General tolerance: <b>ISO 2768 - cL</b> Drawn according: <b>ISO268; ISO1101; ISO2553</b> Status: Customer reference number: Product key: <b>ROP-F6-C-140-W-G-L-B-B-NA</b> Part number: <b>ROFC140360_SP</b> Rev: <b>-</b>
---	---	--