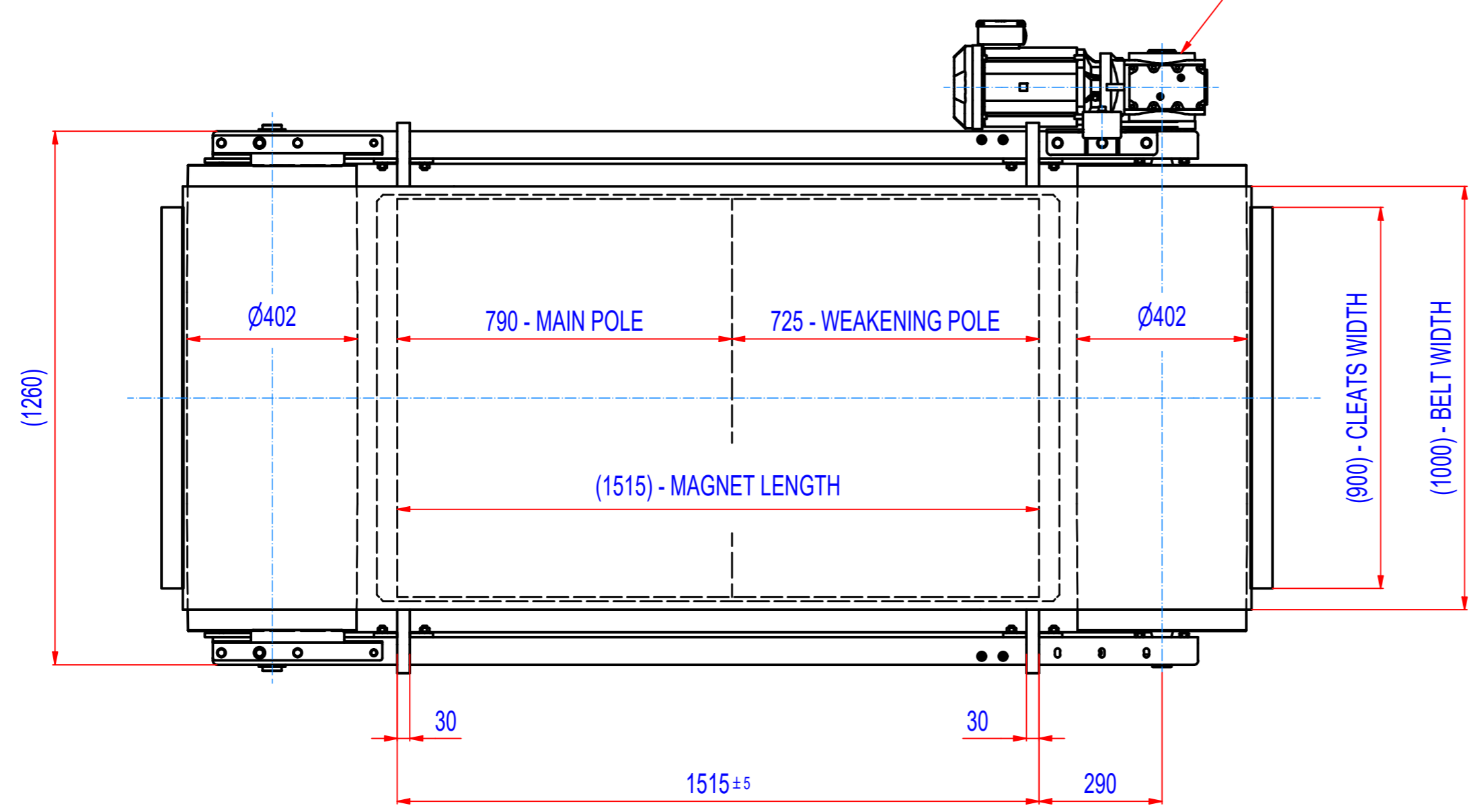
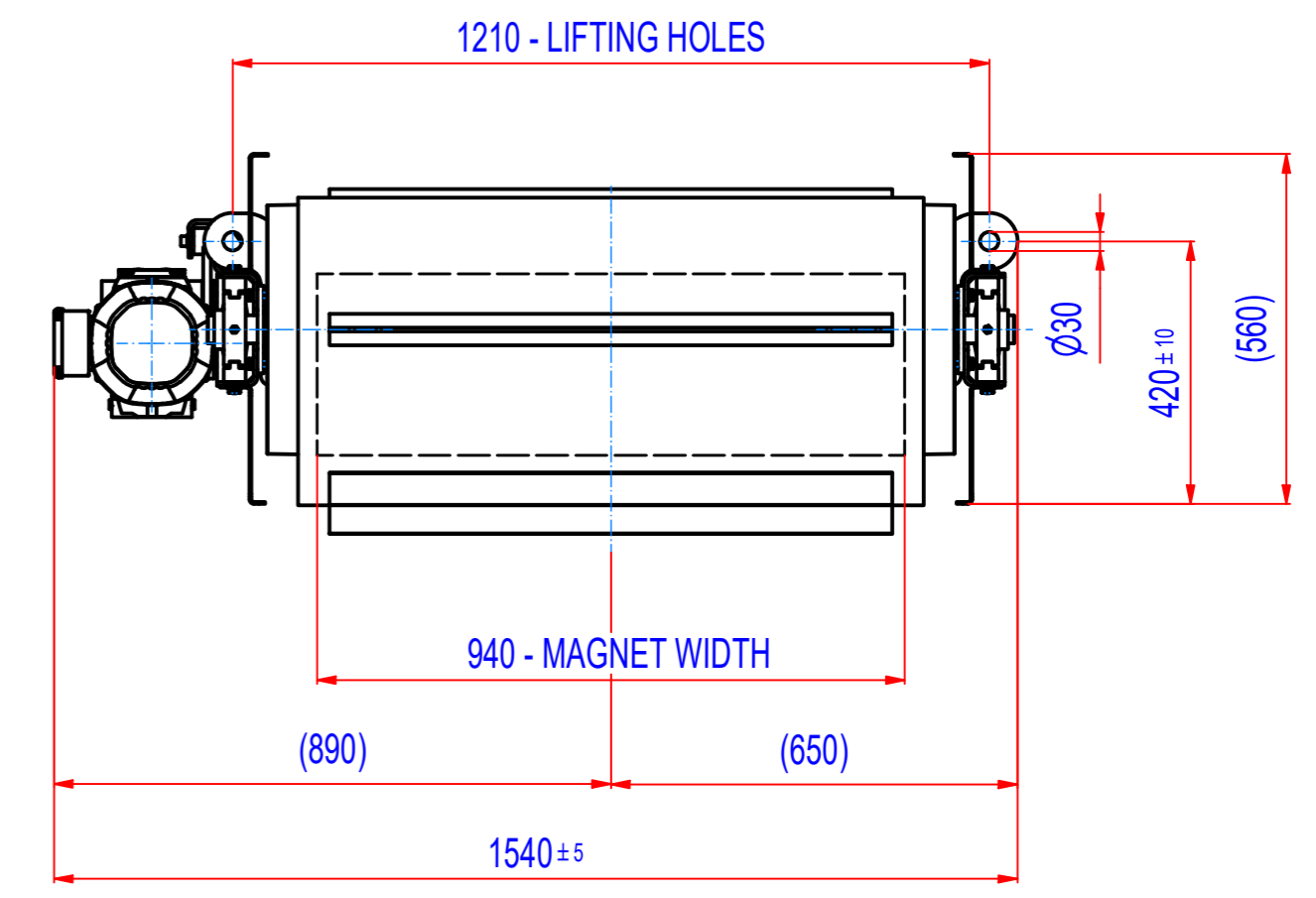
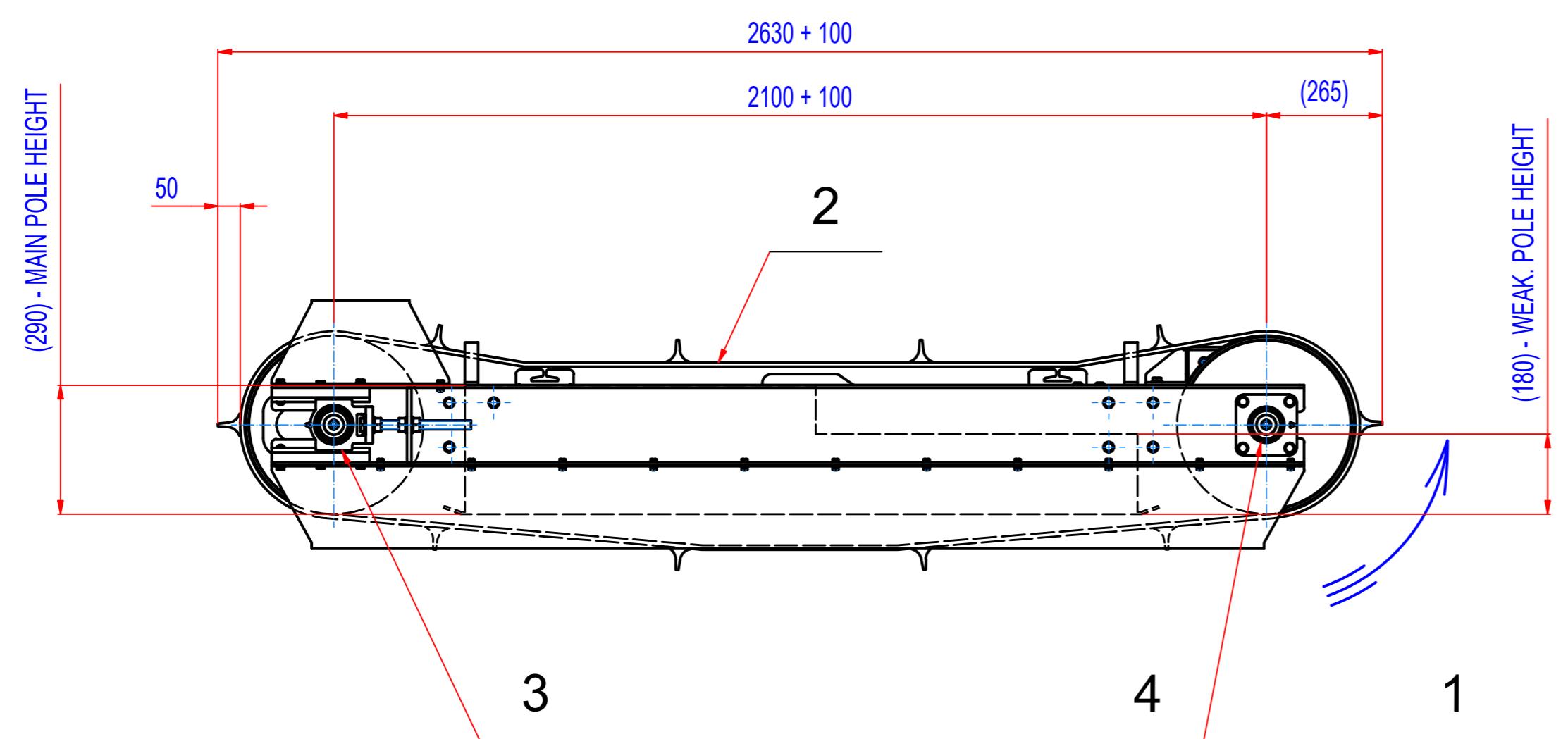


REV	DATE	BY	DESCRIPTION
-	03.12.2021	LF	PŮVODNÍ VÝKRES / ORIGINAL DRAWING
			07.08.2023 - REDUCTION IN NUMBER OF THE SPARE PARTS



- GEARED BOX SEW SA67/TDRN100L4, i=20,37 (71RPM), MOTOR 3kW, 230/400V, 50Hz, IP55
- DRUM SPEED 71/min
- BELT SPEED 1,5 m/s
- BELT EP500/4 5+2, WIDTH 1000, LENGTH 5520, 10 CLEATS T50/10, WIDTH 900

POZ.	Č. SOUČÁSTI	POPIS	MATERIÁL	HMOT.	MN.
4	15_8700045	BEARINGS ASSEMBLY INA PCJ 45		2,5	2
3	15_8600045	BEARINGS ASSEMBLY INA PTUE 45		2,4	2
2	45_4100051	BELT EP500/4 5+2, W=1000, L=5520	RUBBER	61,9	1
1	M030007116	SEW SA67/TDRN100L4, 3kW, i=20,37 (71 RPM)		64	1

Sheet: A2 Drawn: LF Date: 03.12.2021 Predecessor:	Weight (kg): 2013.6 GOUDSMIT MAGNETICS <small>© All rights reserved. Reproduction is not permitted without written permission of GOUDSMIT Magnetic Systems BV</small>	General tolerance: ISO 2768 - cL Drawn according: ISO268; ISO1101; ISO2553 Status: Customer reference number: Product key: ROP-F4-I-100-W-G-L-B-B-NA Part number: ROFI100340_SP Rev: -
Quick search: XSPB 4 Description: SPARE PARTS FOR ROFI100340		