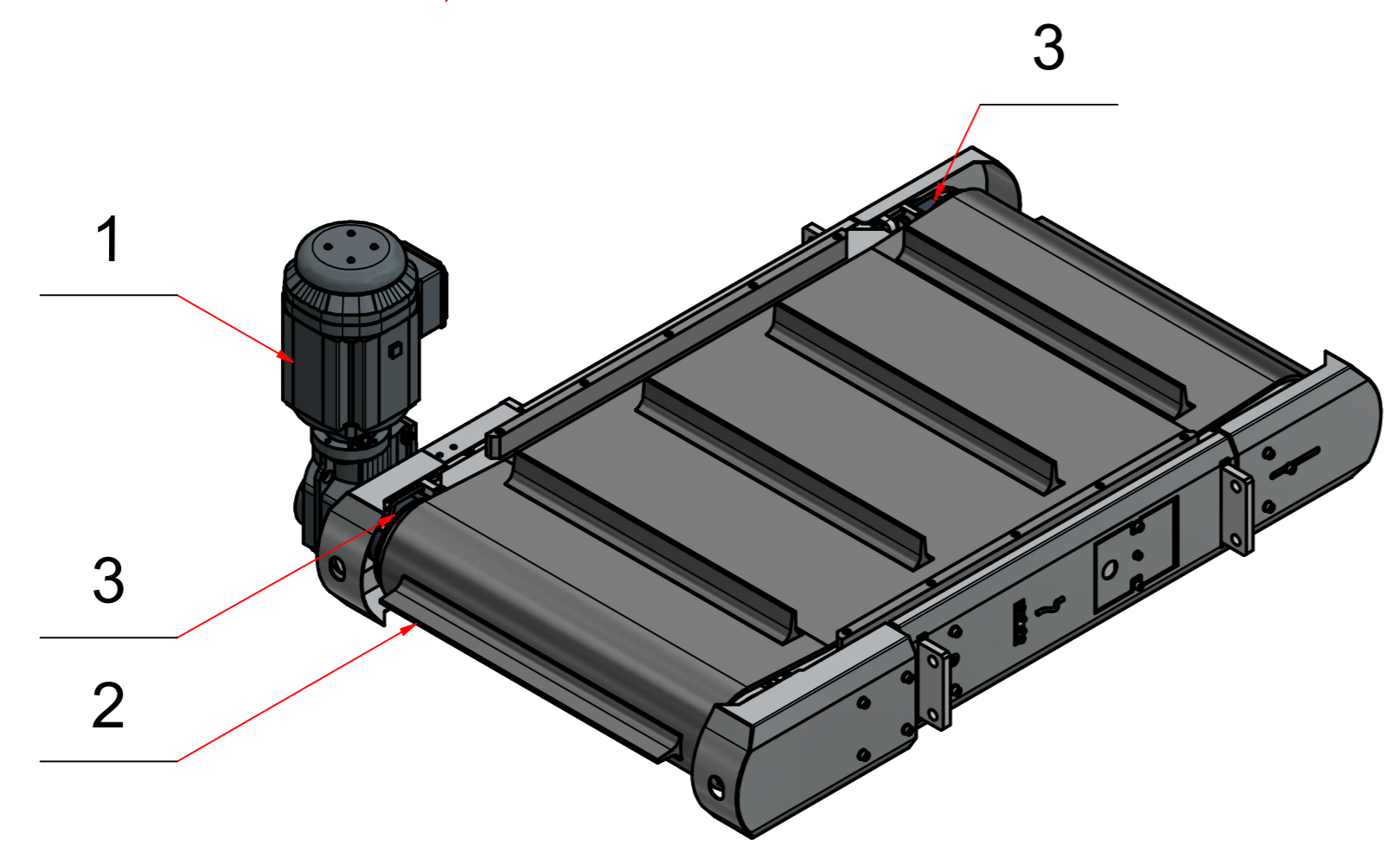
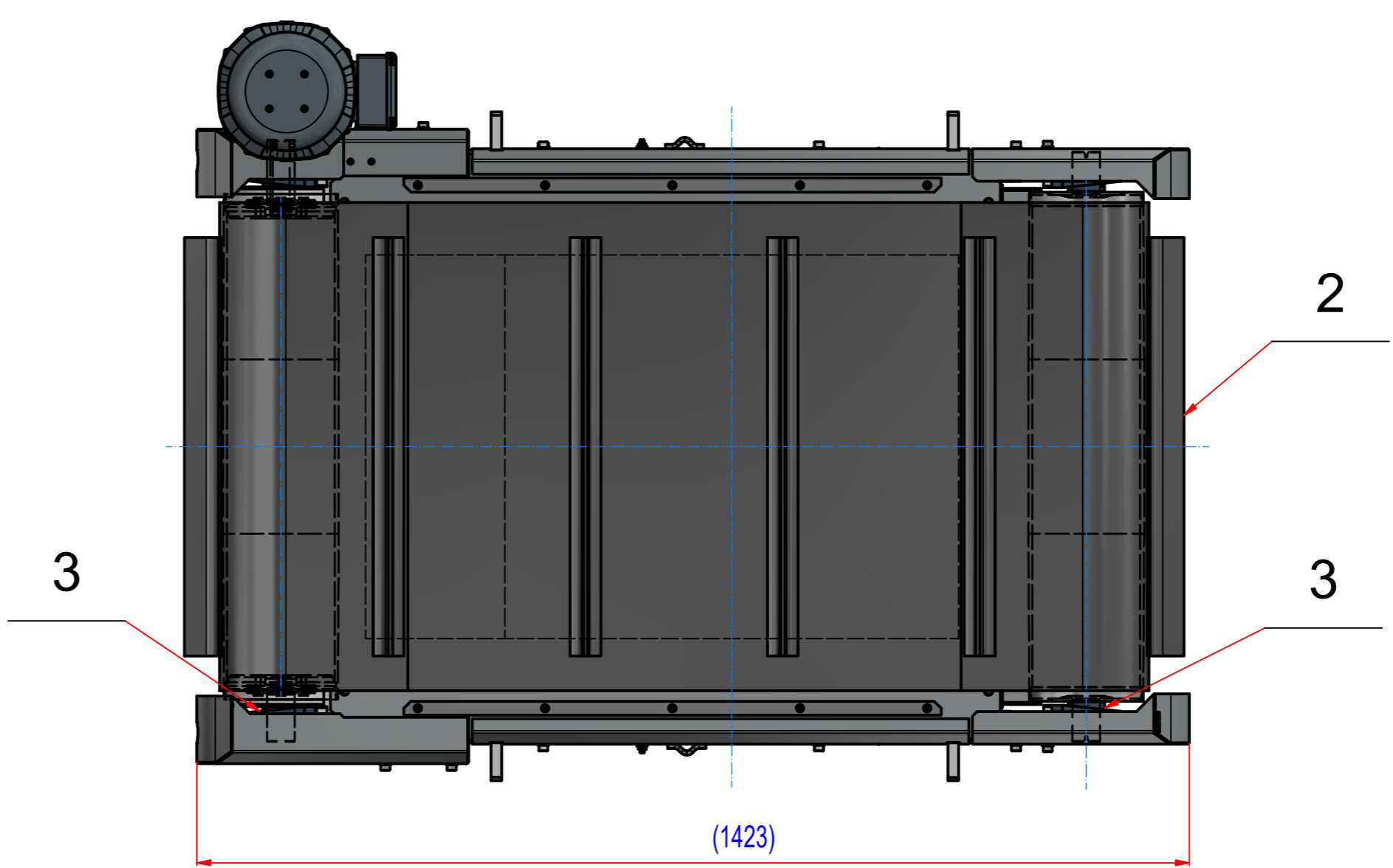
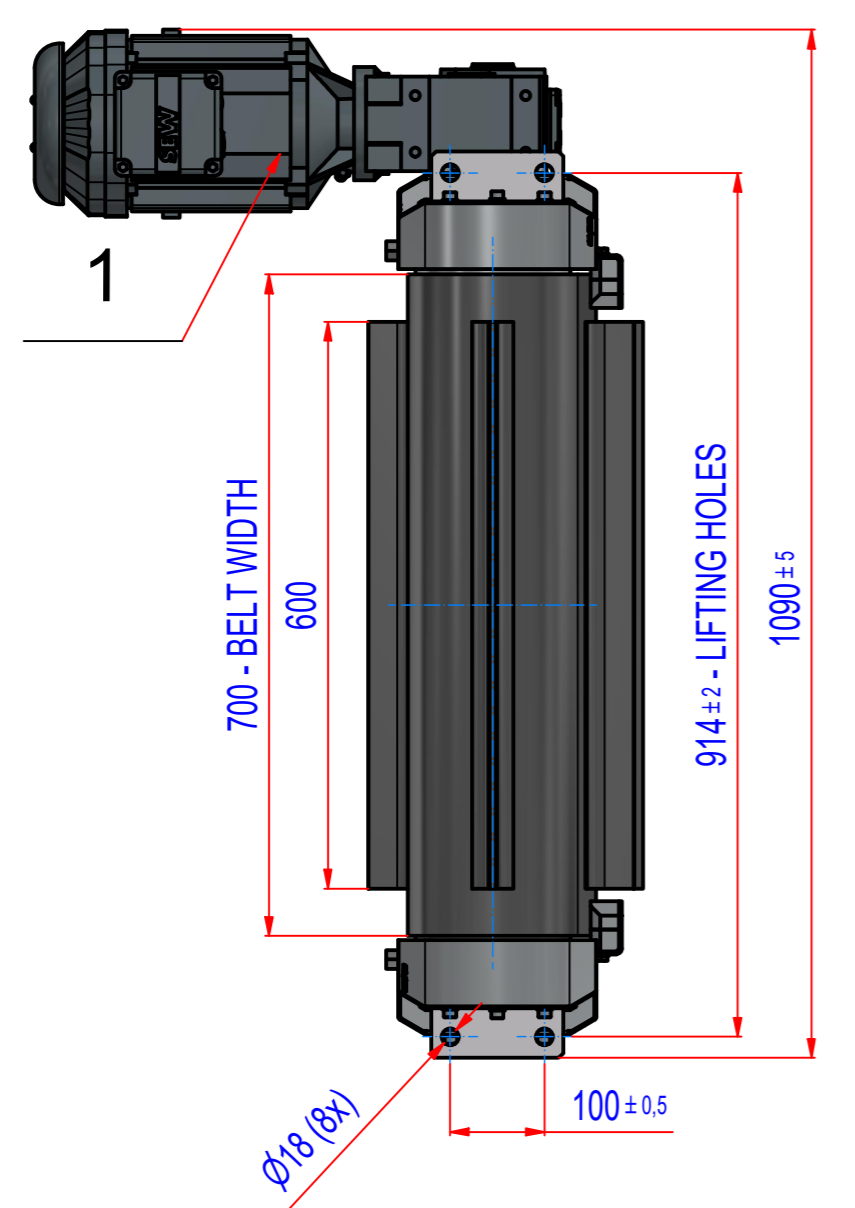
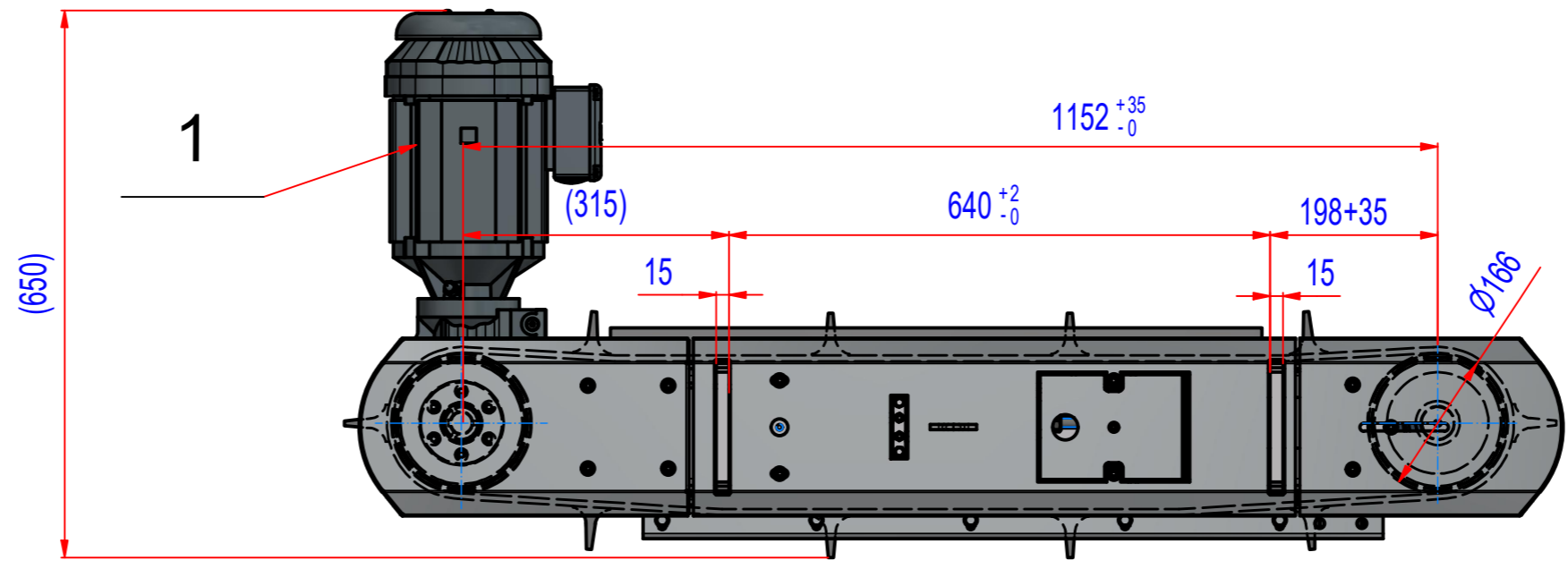


REV	DATE	BY	DESCRIPTION
-	24.03.2023	PH	Source RONC100341



POS.	PART NUMBER	DESCRIPTION	MATERIAL	WEIGHT	QTY
3	15 8900041	Bearing assy PSHEY 40		0,3	4
2	45 4070006	Belt EP250, w=700, L=3160	RUBBER	18	1
1	MS22018203	Drive SEW KA37DRN100LS4/C		37	1

Sheet: A2 Drawn: PH Date: 24.03.2023 Predecessor: Quick search: Description: SPARE PARTS for overband magnet, NdFeB, size.4, W=650	Extra info:  © All rights reserved. Reproduction is not permitted without written permission of GOUDSMIT Magnetic Systems BV	General tolerance: ISO 2768 - cL Drawn according: ISO268; ISO1101; ISO2553 Status: Customer reference number: Product key: ROP-N4-C-065-W-G-R-B-B-M-NA Part number: RONC065341_SP Rev: -
---	--	--