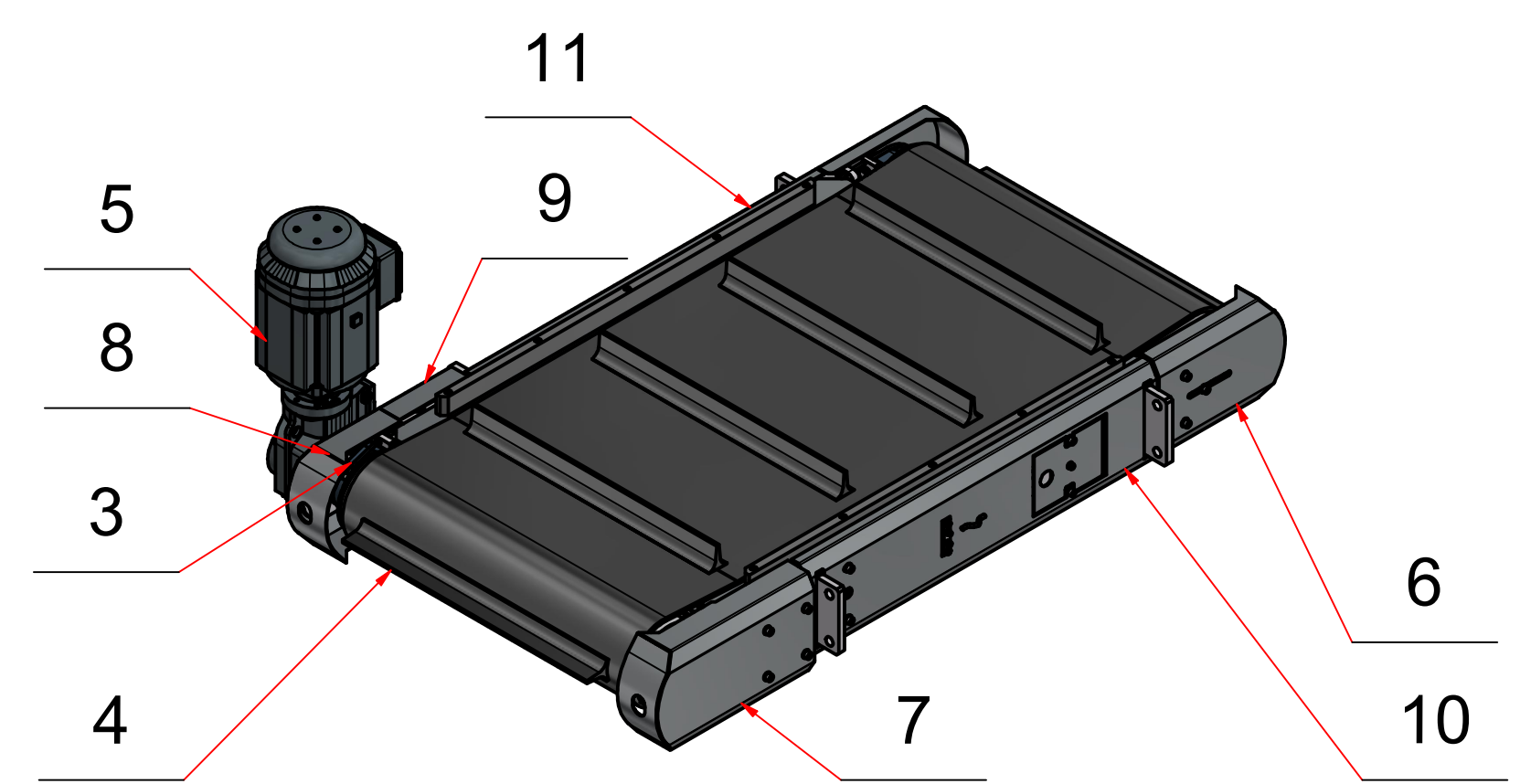
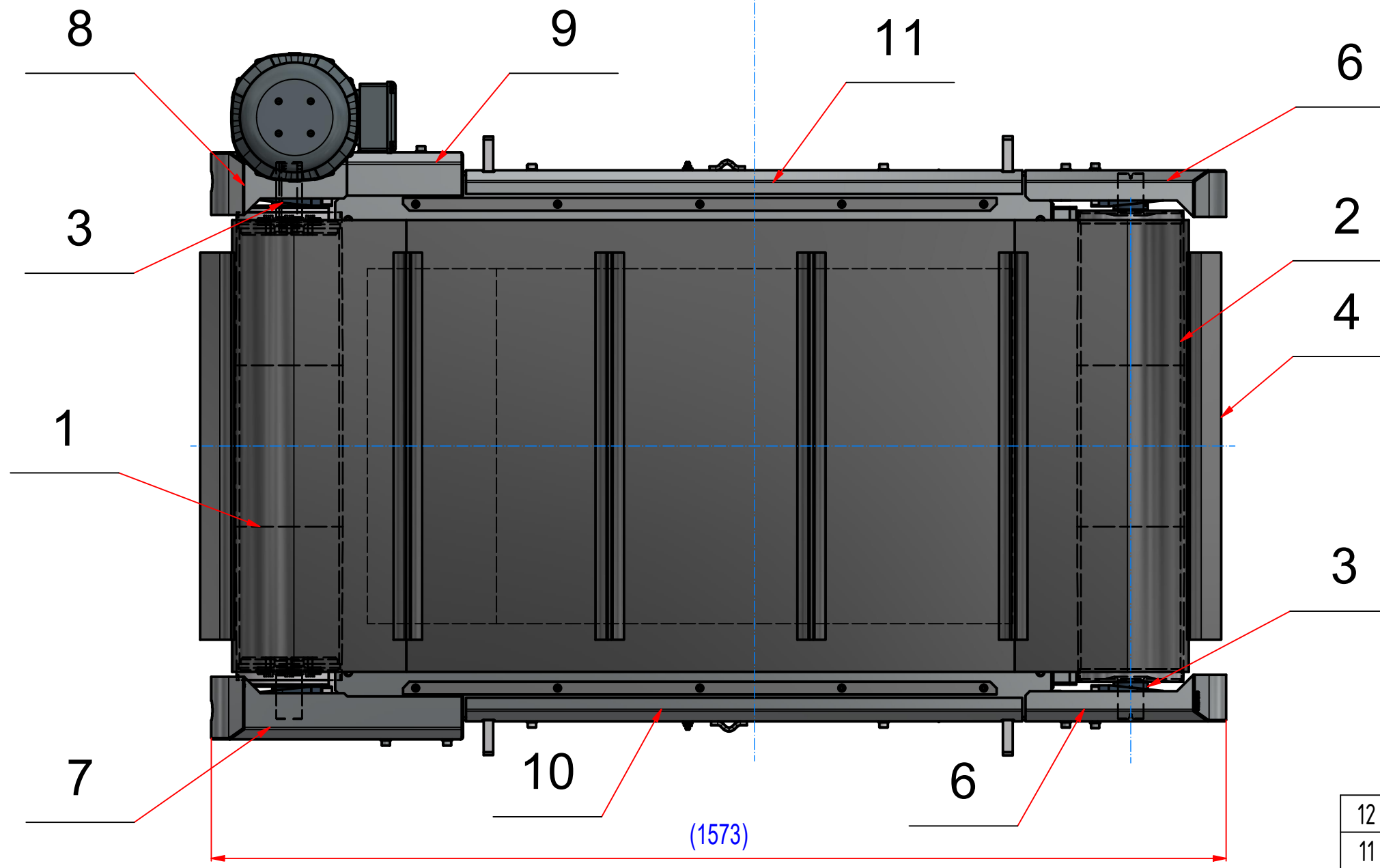
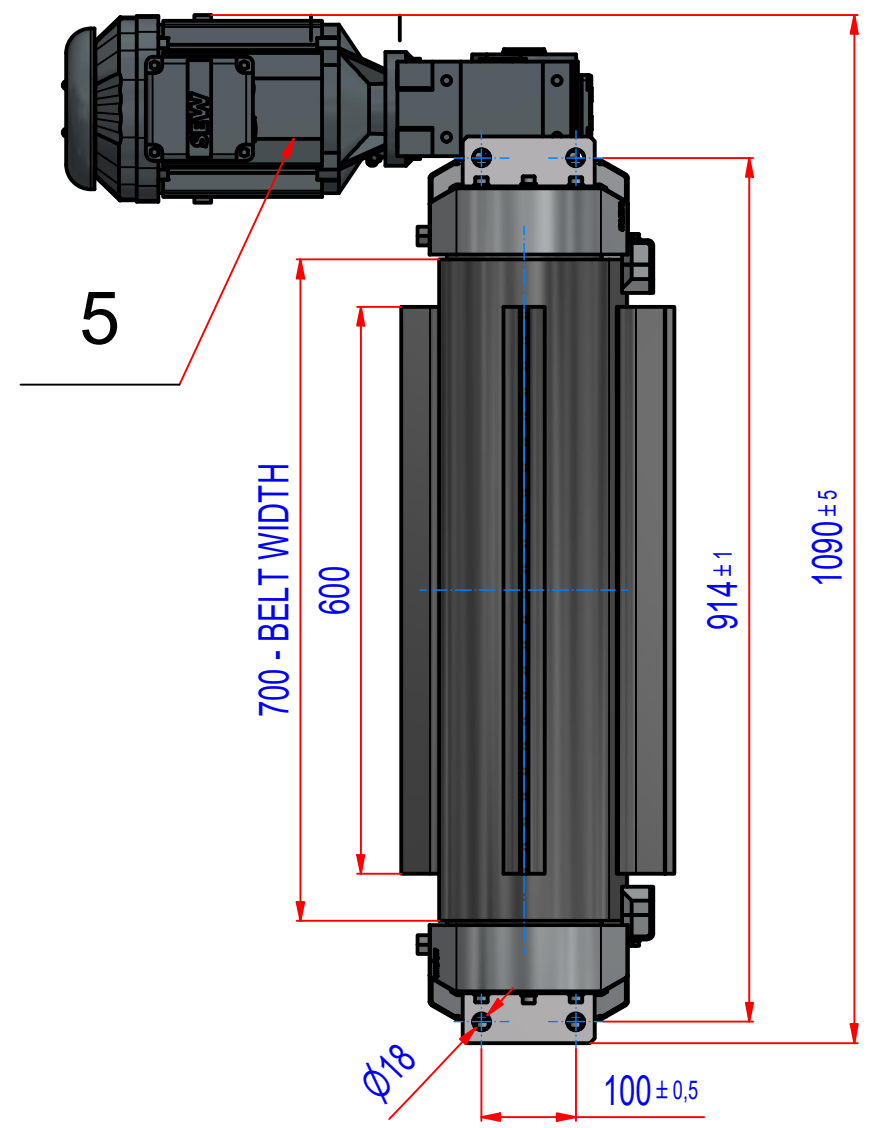
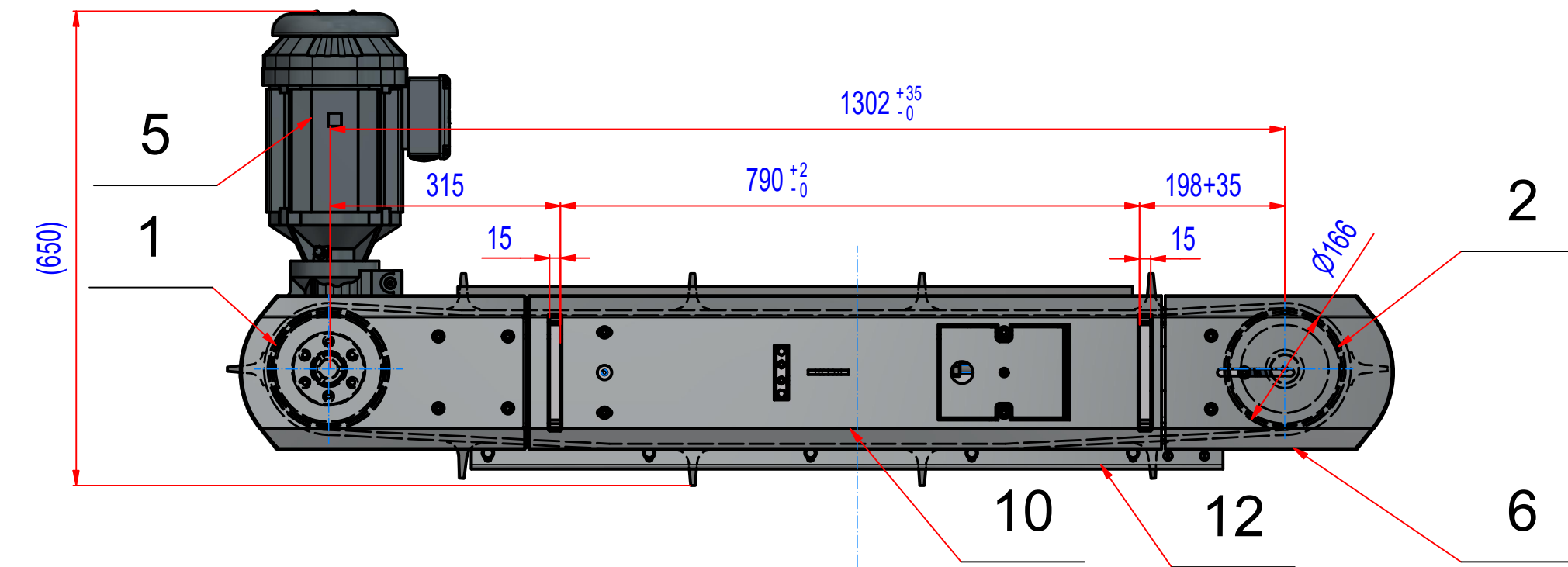


REV	DATE	BY	DESCRIPTION
-	06.01.2022	PH	Source RONC100341



POS.	PART NUMBER	DESCRIPTION	MATERIAL	WEIGHT	QTY
12	B335_030800_set	Belt support set		6,6	1
11	B335_030300	Side cover - L	AISI304	3,2	1
10	B335_030200	Side cover - R	AISI304	6,5	1
9	B181_030406	Cover of reaction	AISI304	1,2	1
8	B212_030700	Cover of drive	AISI304	1	1
7	B212_030400	Cover of drive II	AISI304	2	1
6	B212_030000_set	Ends cover	AISI304	1,5	2
5	MS22018203_set	Drive SEW KA37DRN100LS4/C-set		42	1
4	45_4070005	Belt EP250, w=700, L=3160	RUBBER	19,4	1
3	15_8900041	Bearing assy PSHEY 40		0,3	4
2	B212_020400	Tension roller		24	1
1	B333_020200	Drive roller	AISI304	24	1

Sheet: A2 Drawn: PH Date: 06.01.2022 Predecessor:	Weight (kg): 572,7 GOUDSMIT MAGNETICS <small>© All rights reserved. Reproduction is not permitted without written permission of GOUDSMIT Magnetic Systems BV</small>	General tolerance: ISO 2768 - cL Drawn according: ISO268; ISO1101; ISO2553 Status: Customer reference number: Product key: ROP-N4-C-080-W-G-R-B-B-M-NA Part number: RONC080341_SP Rev: -
Description: SPARE PARTS for overband magnet, NdFeB, size.4, W=800		