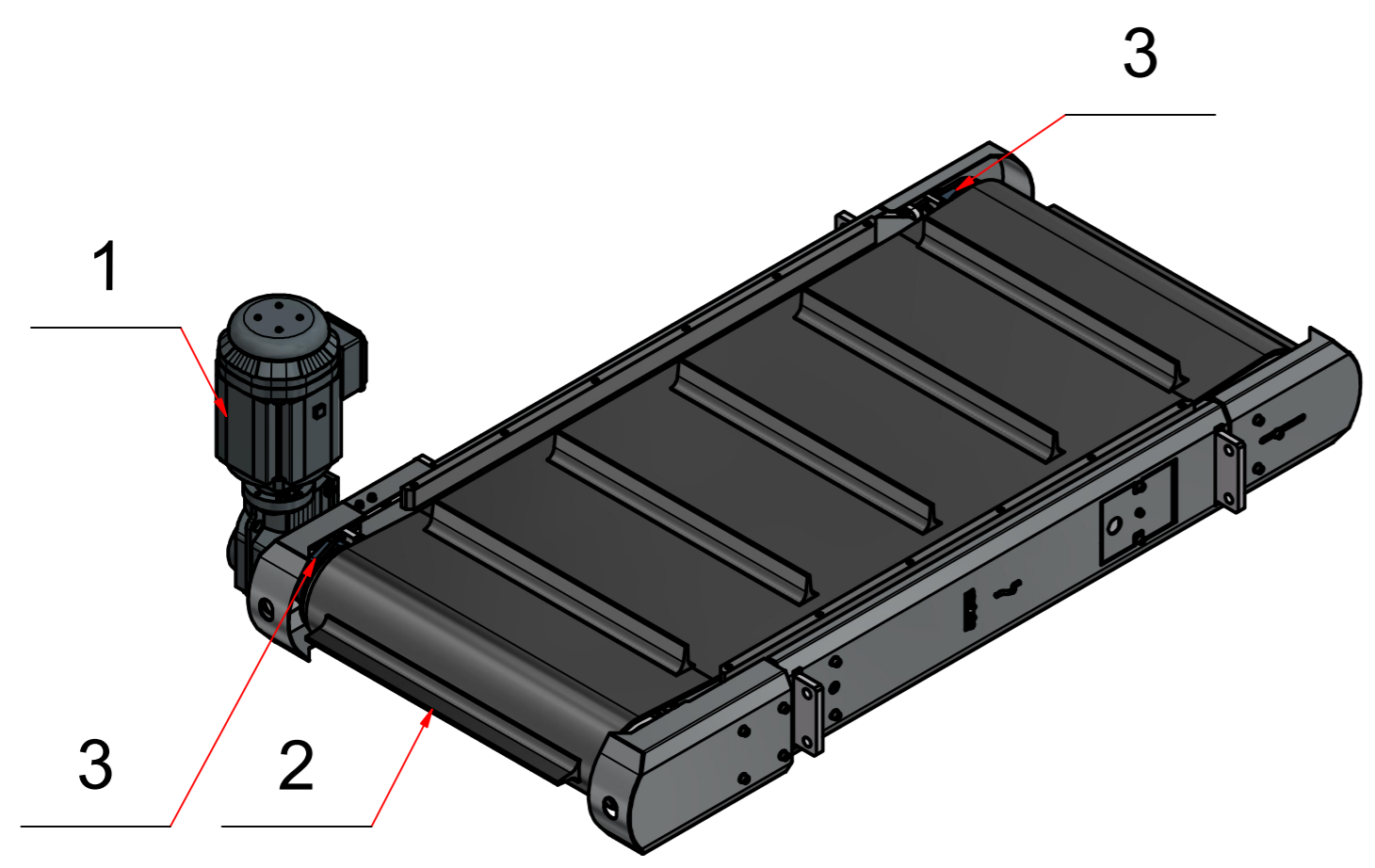
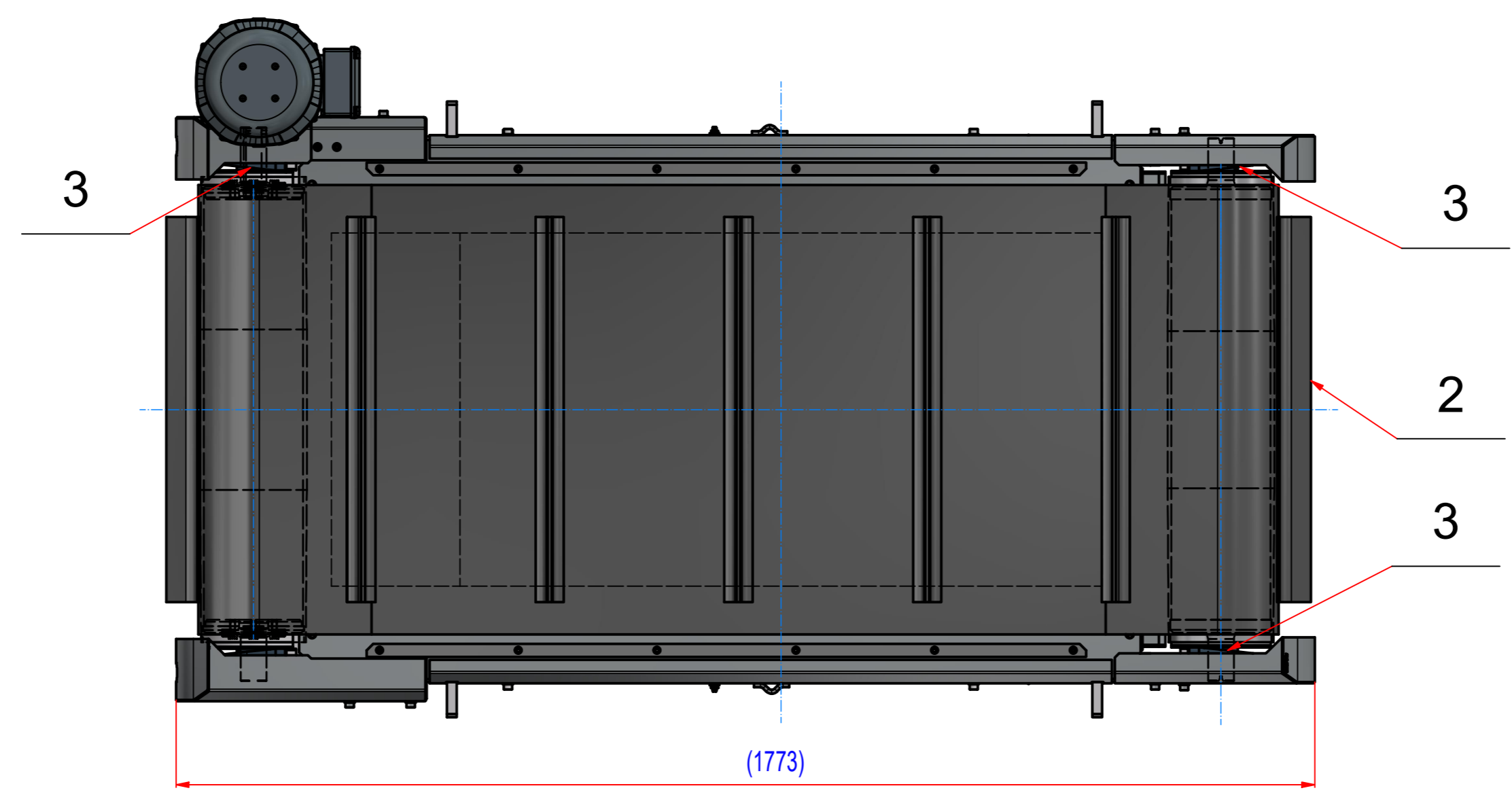
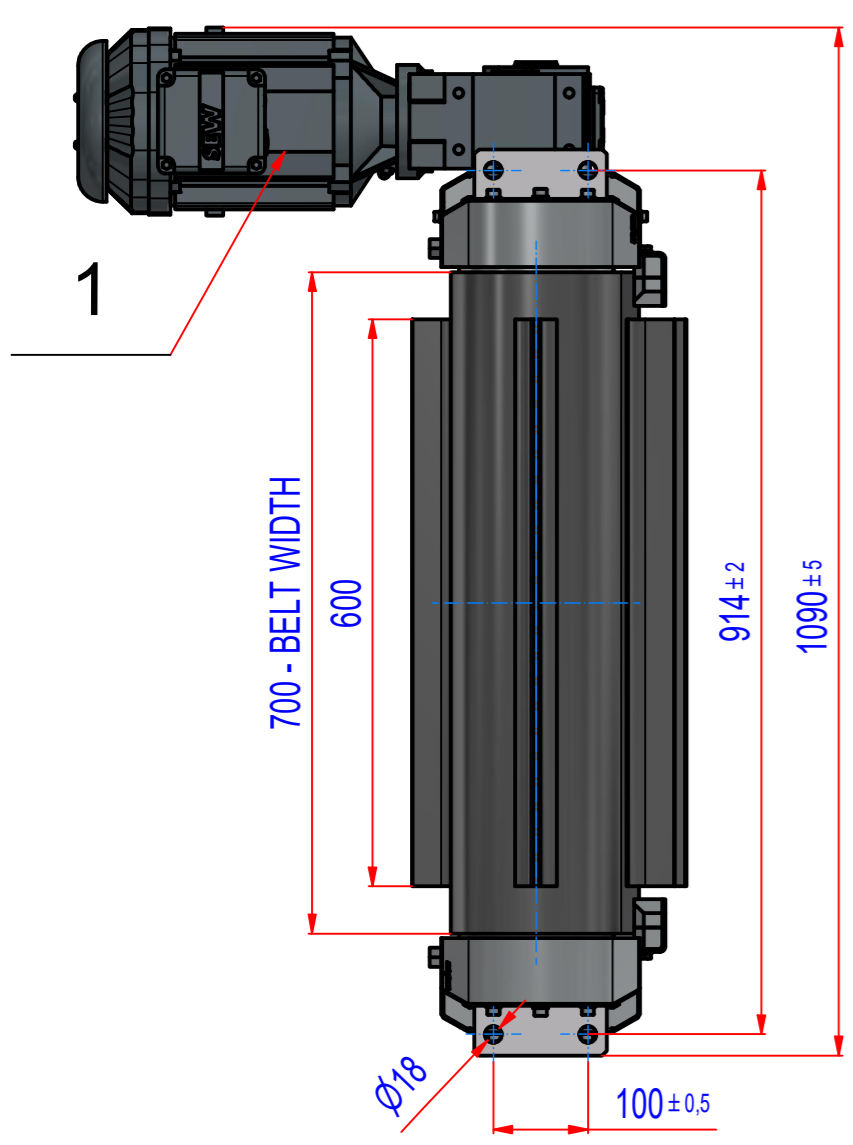
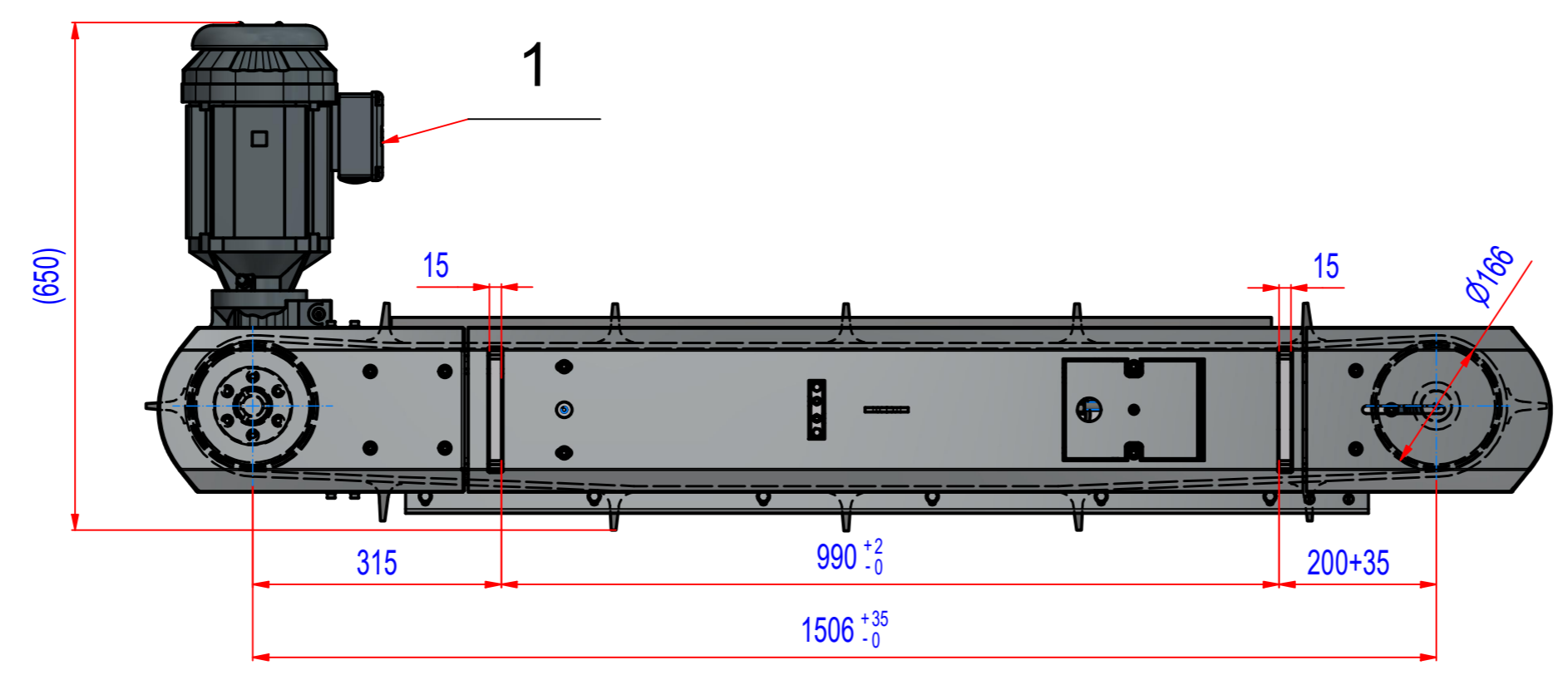



REV	DATE	BY	DESCRIPTION
-	27.07.2021	PH	Source B181_C00000, side covers and greasing as accessories
A	07.01.2022	PH	Change drive to 2,2 kW



POS.	PART NUMBER	DESCRIPTION	MATERIAL	WEIGHT	QTY
3	15_8900041	Bearing assy PSHEY 40		0,3	4
2	45_4070004	Belt EP250, w=700, L=3560	RUBBER	22,2	1
1	MS22018203	Drive SEW KA37DRN100LS4/C, 2,2kW, 182RPM		37	1

Sheet: A2 Drawn: PH Date: 07.01.2022 Predecessor: Quick search: Description: SPARE PARTS for overband magnet, NdFeB, size 4, W=1000	Weight (kg): 660,6 Extra info:  © All rights reserved. Reproduction is not permitted without written permission of GOUDSMIT Magnetic Systems BV	General tolerance: ISO 2768 - cL Drawn according: ISO268; ISO1101; ISO2553 Status: Customer reference number: Product key: ROP-N4-C-100-W-G-R-B-B-M-NA Part number: RONC100341_SP Rev: A
--	---	--