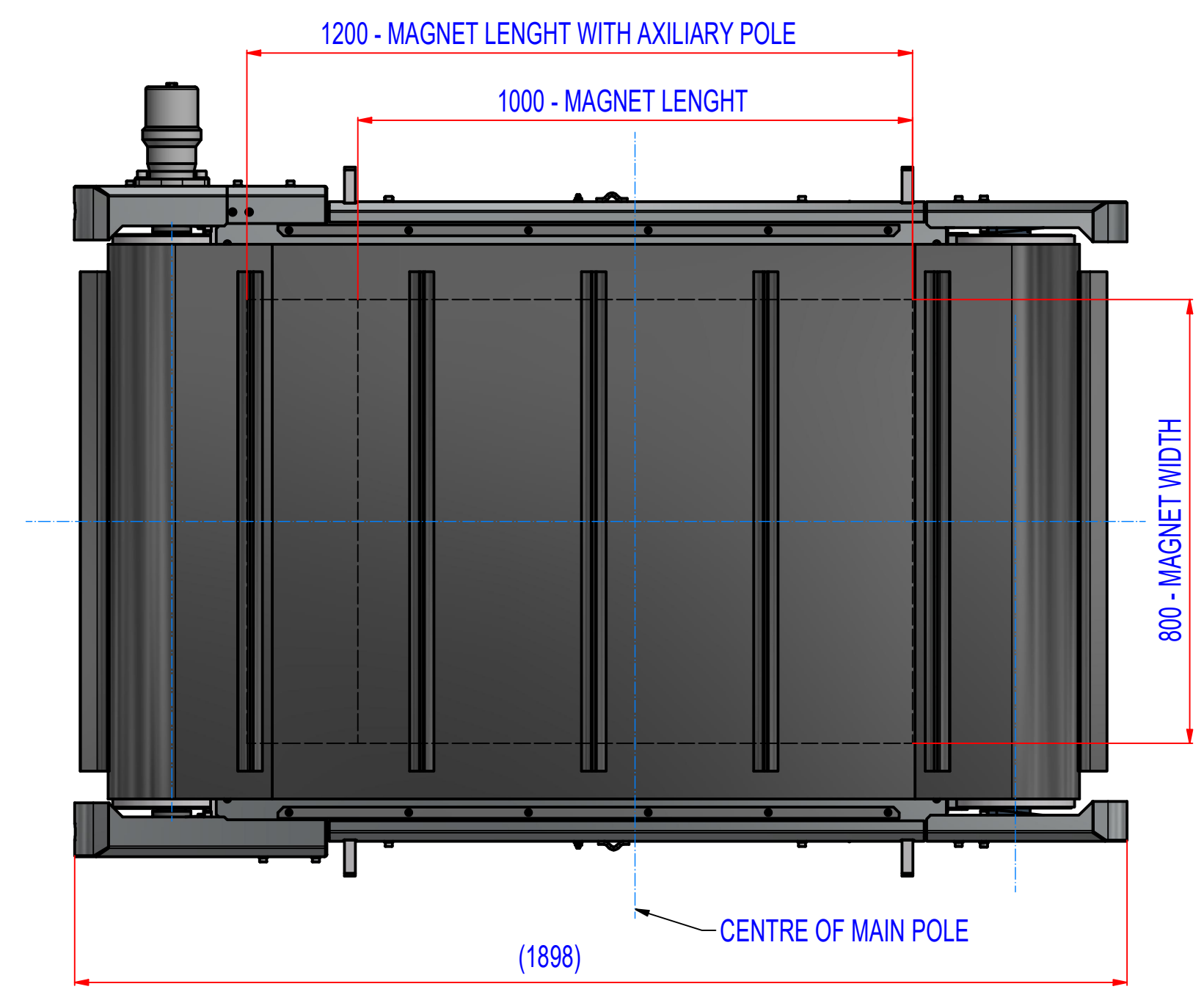
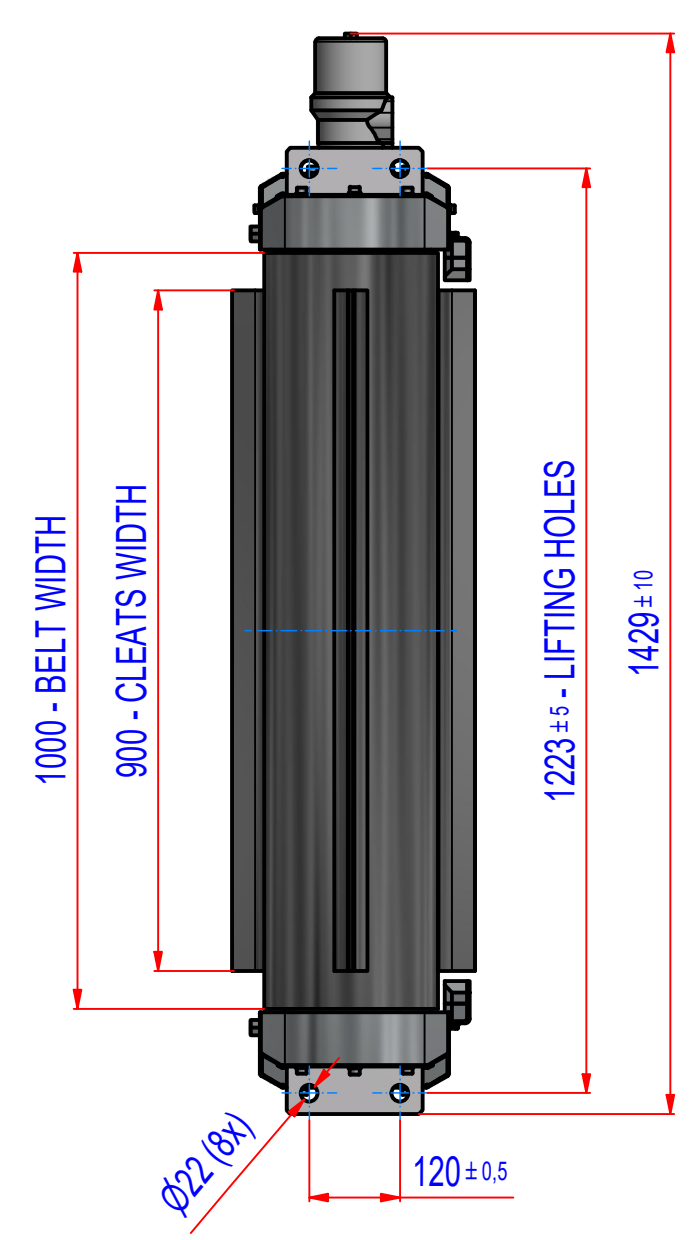
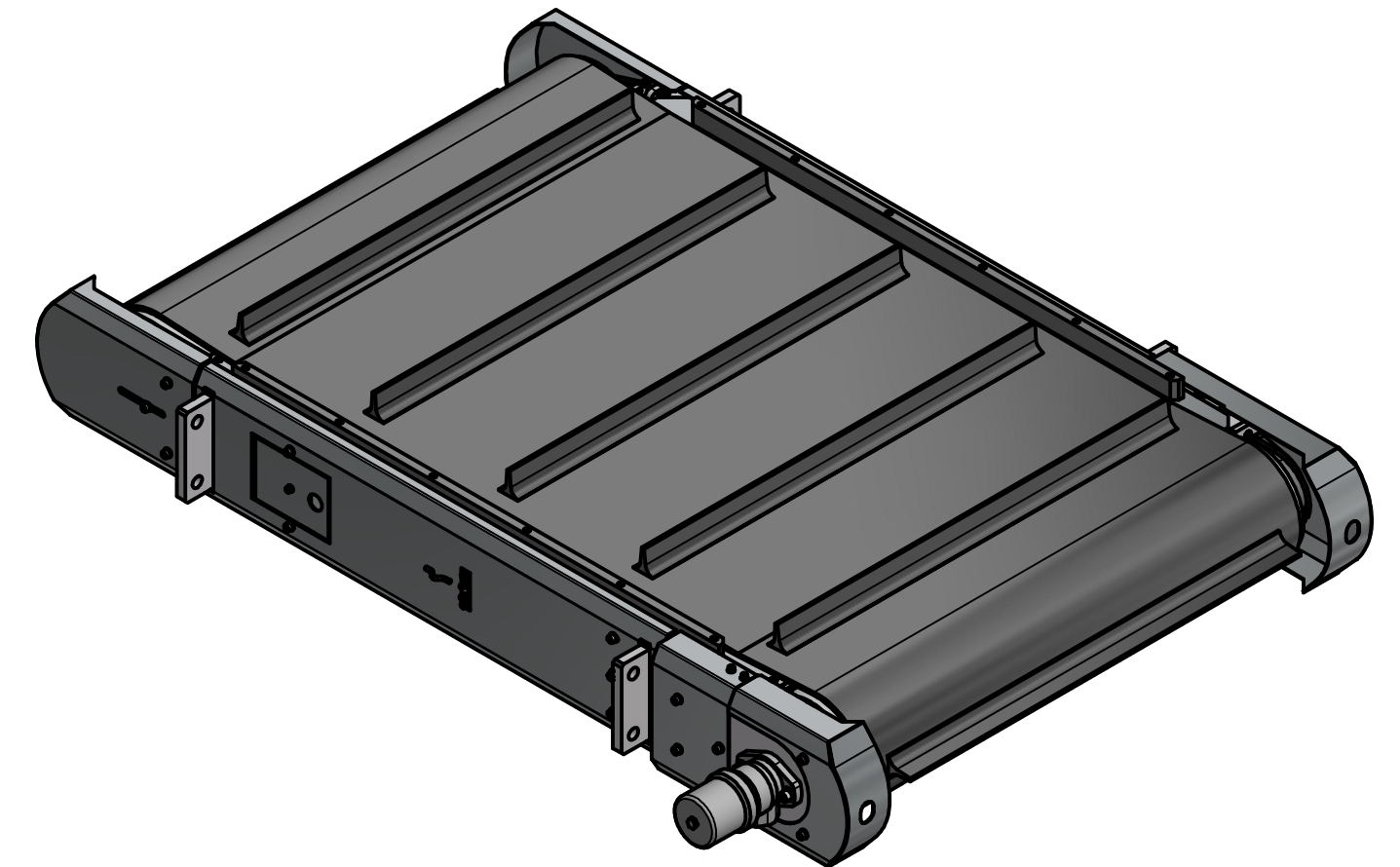
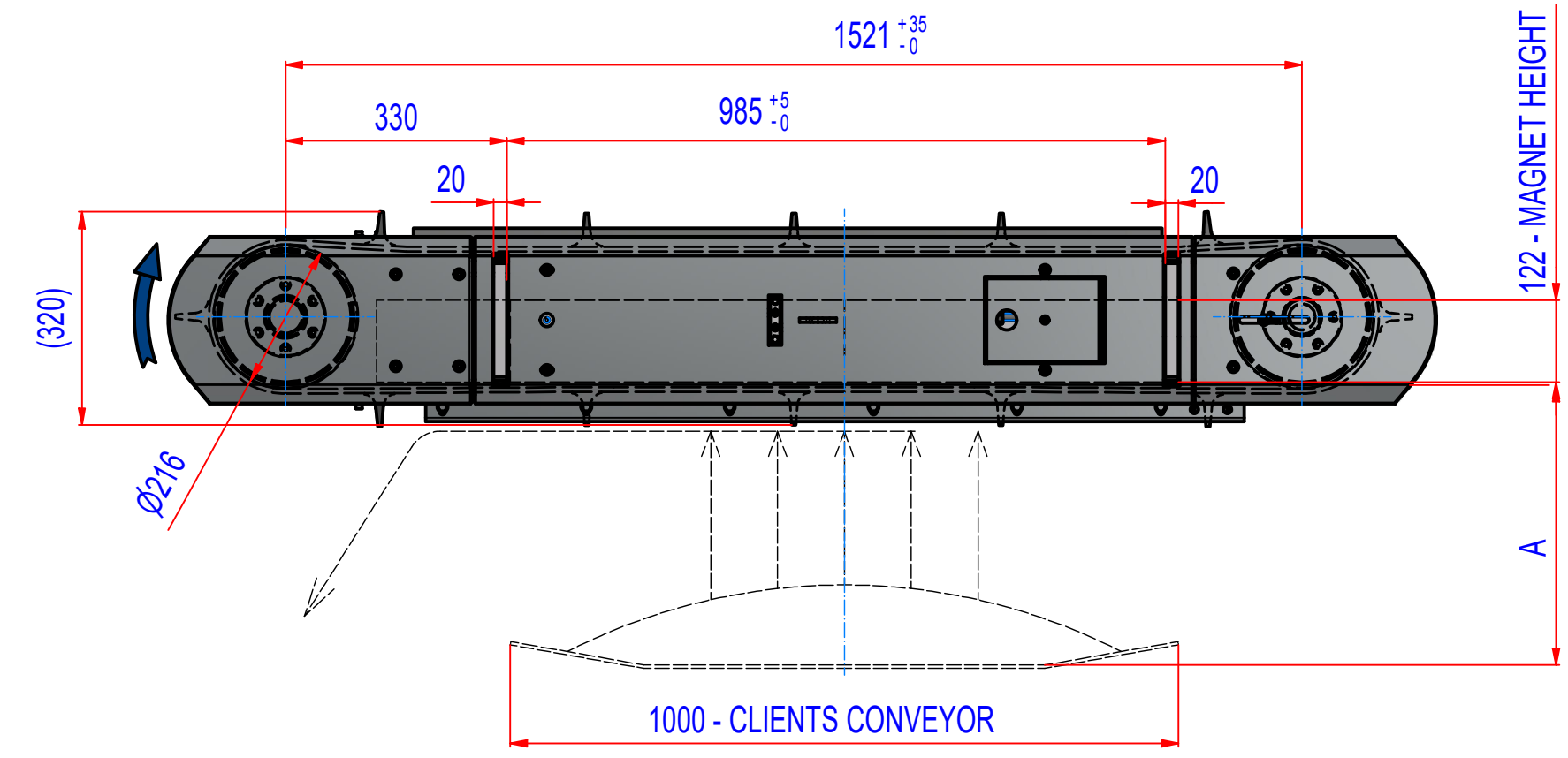


| REV | DATE | BY | DESCRIPTION |
|-----|------------|----|-------------------|
| - | 27.04.2022 | PH | Source RONC120551 |



A = 440 mm - max. catch distance for rod Ø15, L=75 mm (VDE)
A = 375 mm - 400 Gs

| | |
|-----------------|---|
| MAGNET : | MAGNETS NdFeB, FERRITE, WATERPROOF |
| FRAME: | MADE FROM AISI 304 |
| PROTECT PLATES: | AISI 304, 2-3mm |
| BELT TYPE: | EP250/2 4+2, WIDTH 1000, LENGTH 3745, 12 CLEATS T50/20, WIDTH 900, COMPLETELY HOT VULCANISED |
| MOTOR: | Hydromotor OMR X 315, 11186652 (or equivalent) |
| FINISH: | PAINTED / GRIT BLASTED (covering, frame) |
| ROLLERS: | STEEL, WITH CROWNING, RAL7022 (UMBRA GREY) |
| ACCESSORIES: | FRAME SIDE COVERS GREASING FROM LEFT AND RIGHT SIDE |

| | | |
|--|---|---|
| Sheet: A2 | Extra info: | General tolerance: ISO 2768 - cL |
| Drawn: PH | Weight (kg): 923.5 | Drawn according: ISO268; ISO1101; ISO2553 |
| Date: 27.04.2022 | | Status: |
| Predecessor: | | Customer reference number: |
| Quick search: | © All rights reserved. Reproduction is not permitted without written permission of GOUDSMIT Magnetic Systems BV | Product key: ROP-N5-C-100-W-H-R-B-B-M-NA |
| Description: Overband magnet, NdFeB, size.5, W=1000, hydro motor | Part number: RONC100551 | Rev: - |