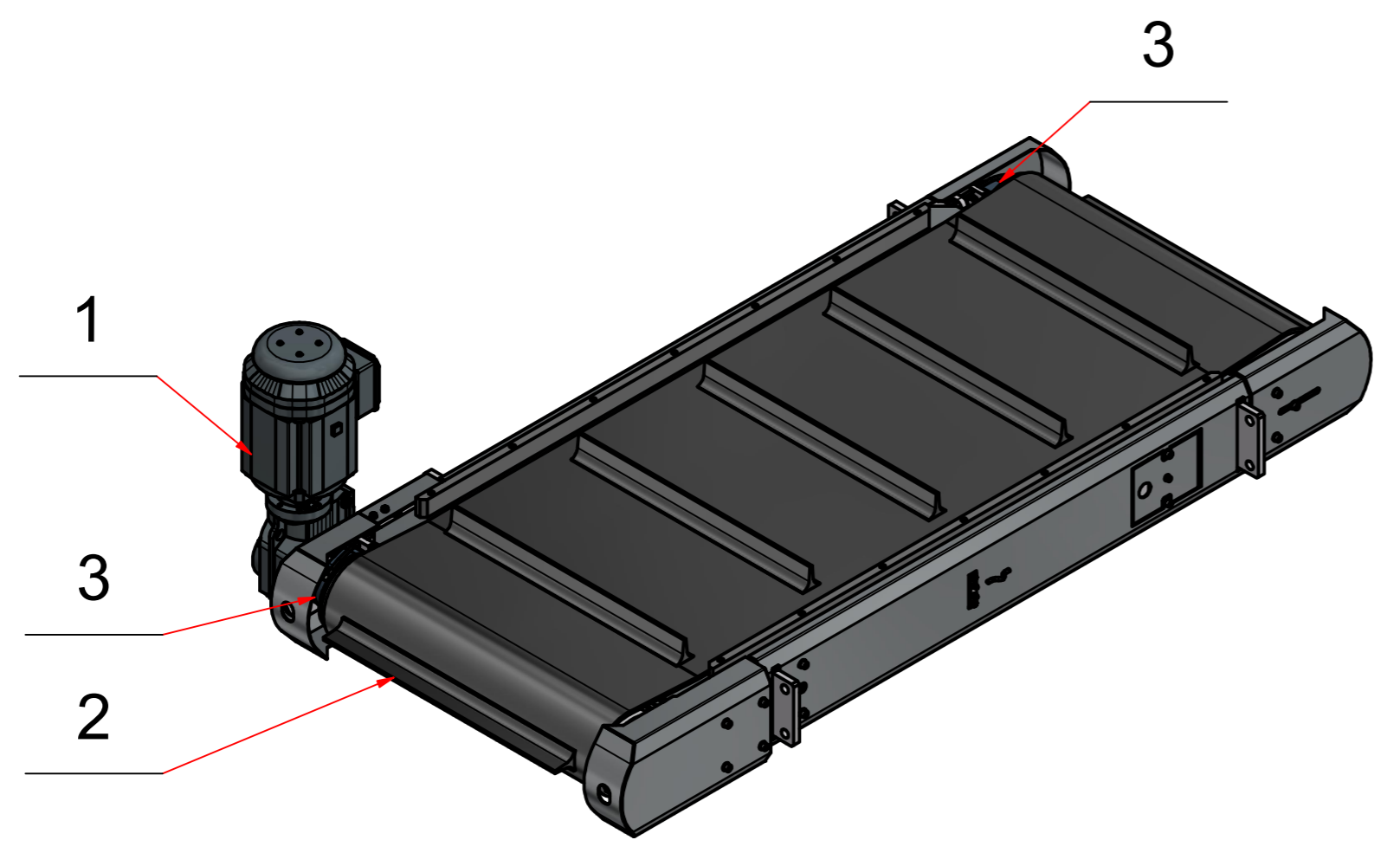
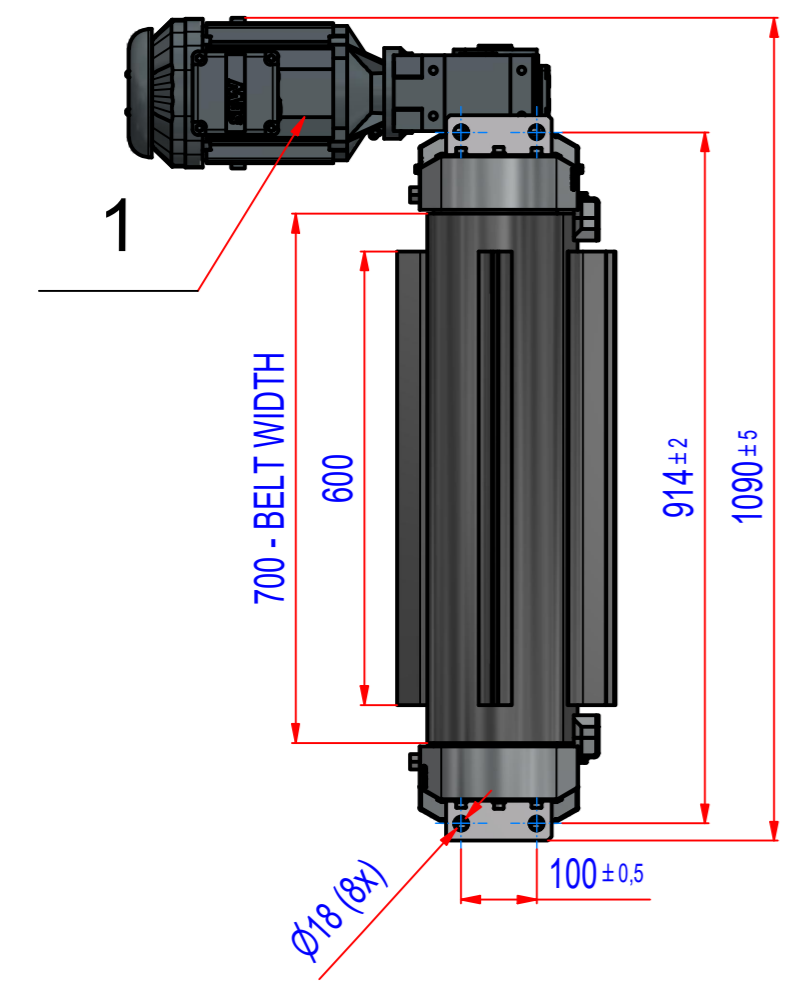
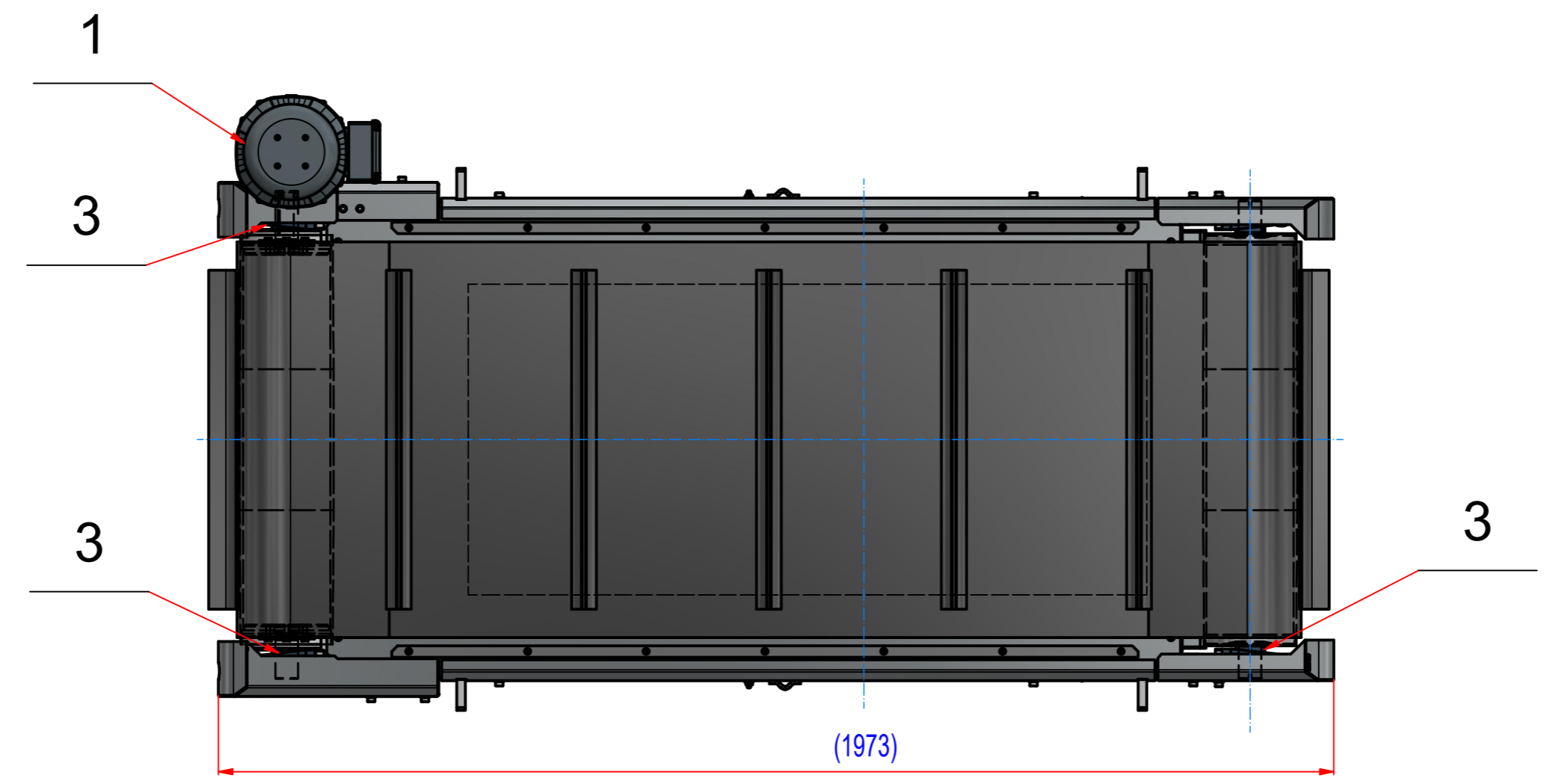
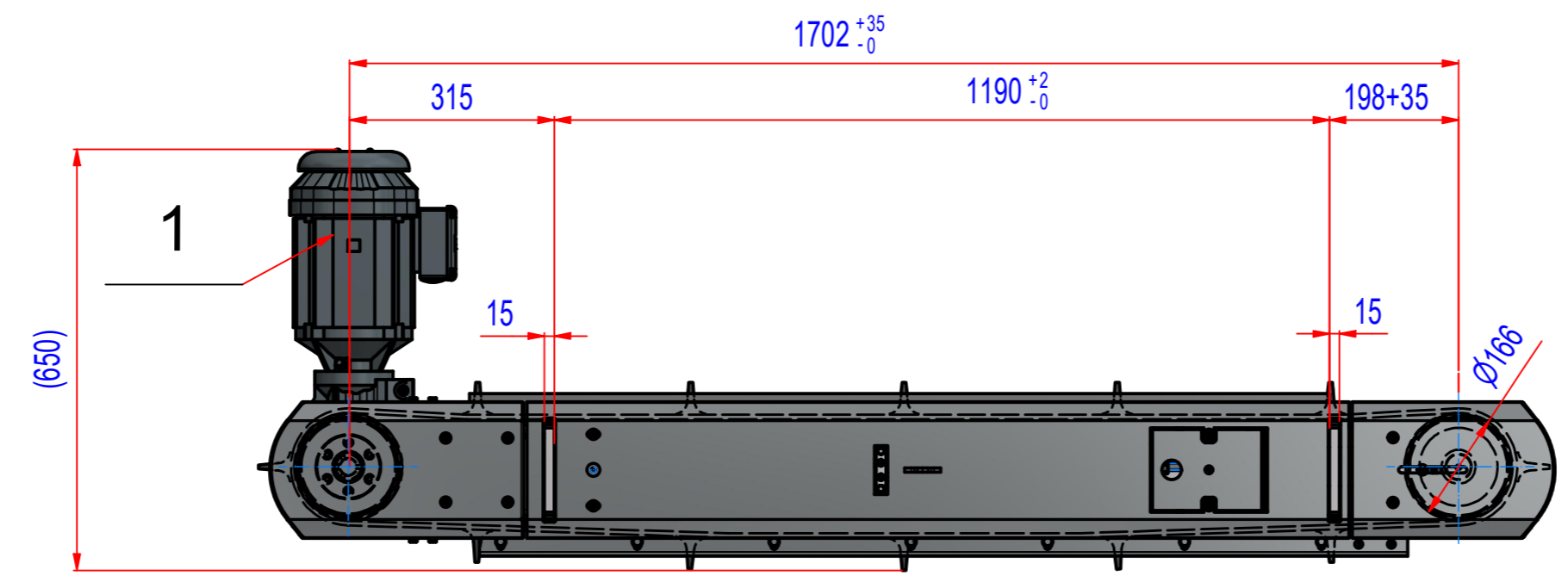


REV	DATE	BY	DESCRIPTION
-	07.01.2022	PH	Source RONC100341



POS.	PART NUMBER	DESCRIPTION	MATERIAL	WEIGHT	QTY
3	15_8900041	Bearing assy PSHEY 40		0,3	4
2	45_4070007	Belt EP250, w=700, L=3160	RUBBER	24,1	1
1	MS22018203_set	Drive SEW KA37DRN100LS4/C-set		42	1

Sheet: A2 Drawn: PH Date: 07.01.2022 Predecessor: Quick search: Description: SPARE PARTS for overbelt magnet, NdFeB, size.4, W=1200	Extra info: GOUDSMIT MAGNETICS <small>© All rights reserved. Reproduction is not permitted without written permission of GOUDSMIT Magnetic Systems BV</small>	General tolerance: ISO 2768 - cL Drawn according: ISO268; ISO1101; ISO2553 Status: Customer reference number: Product key: ROP-N4-C-120-W-G-R-B-B-M-NA Part number: RONC120341_SP Rev: -
--	---	--