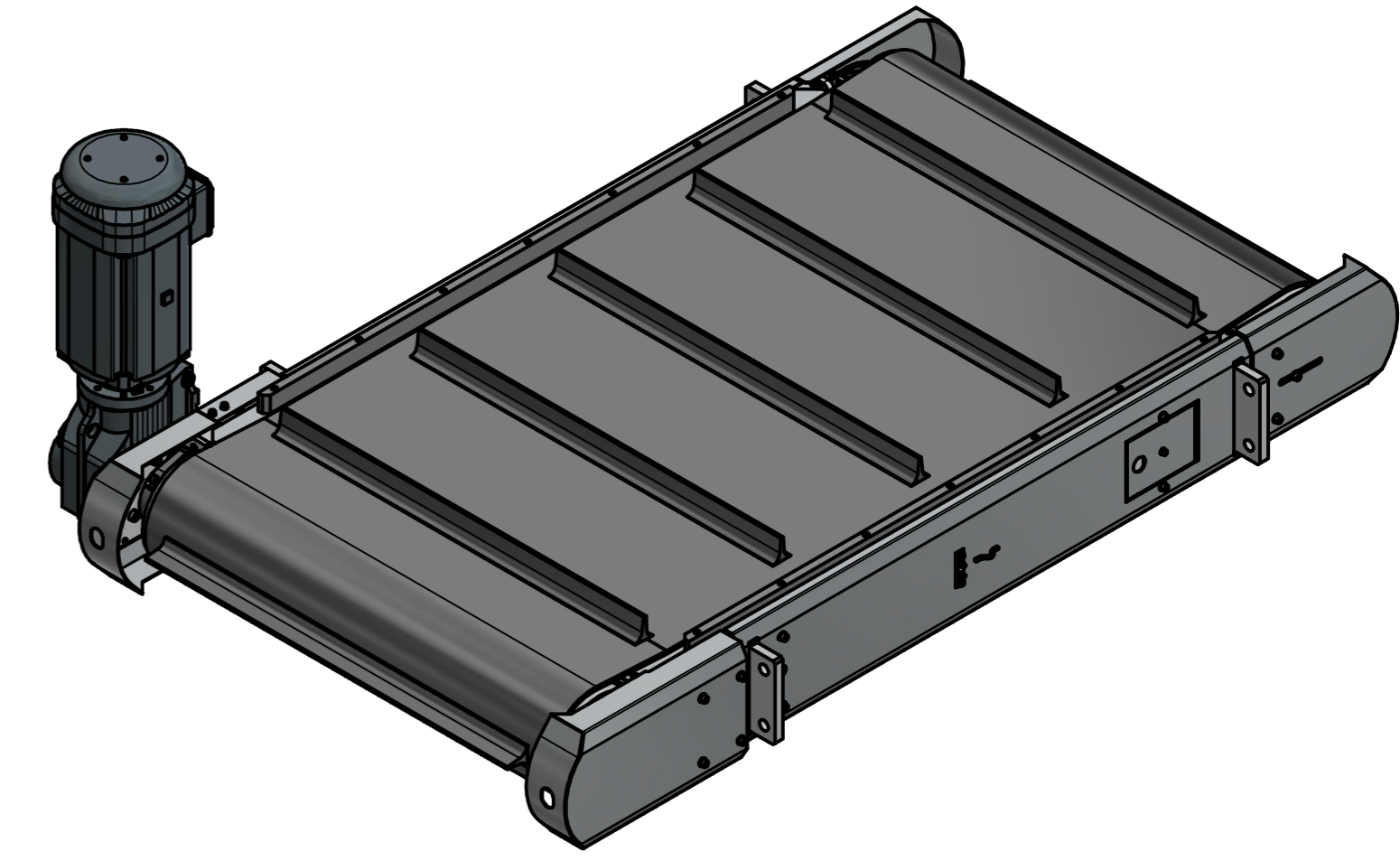
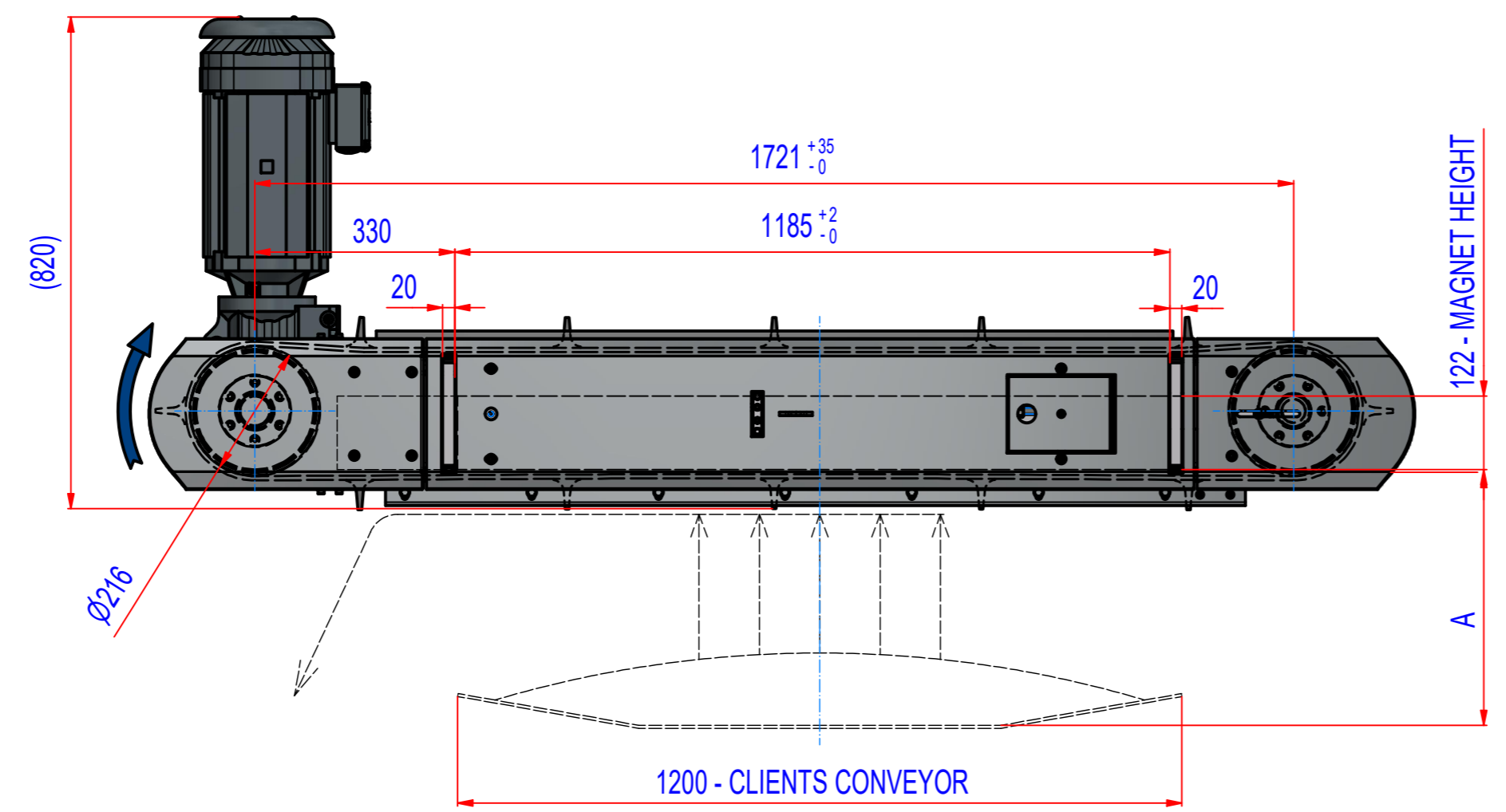
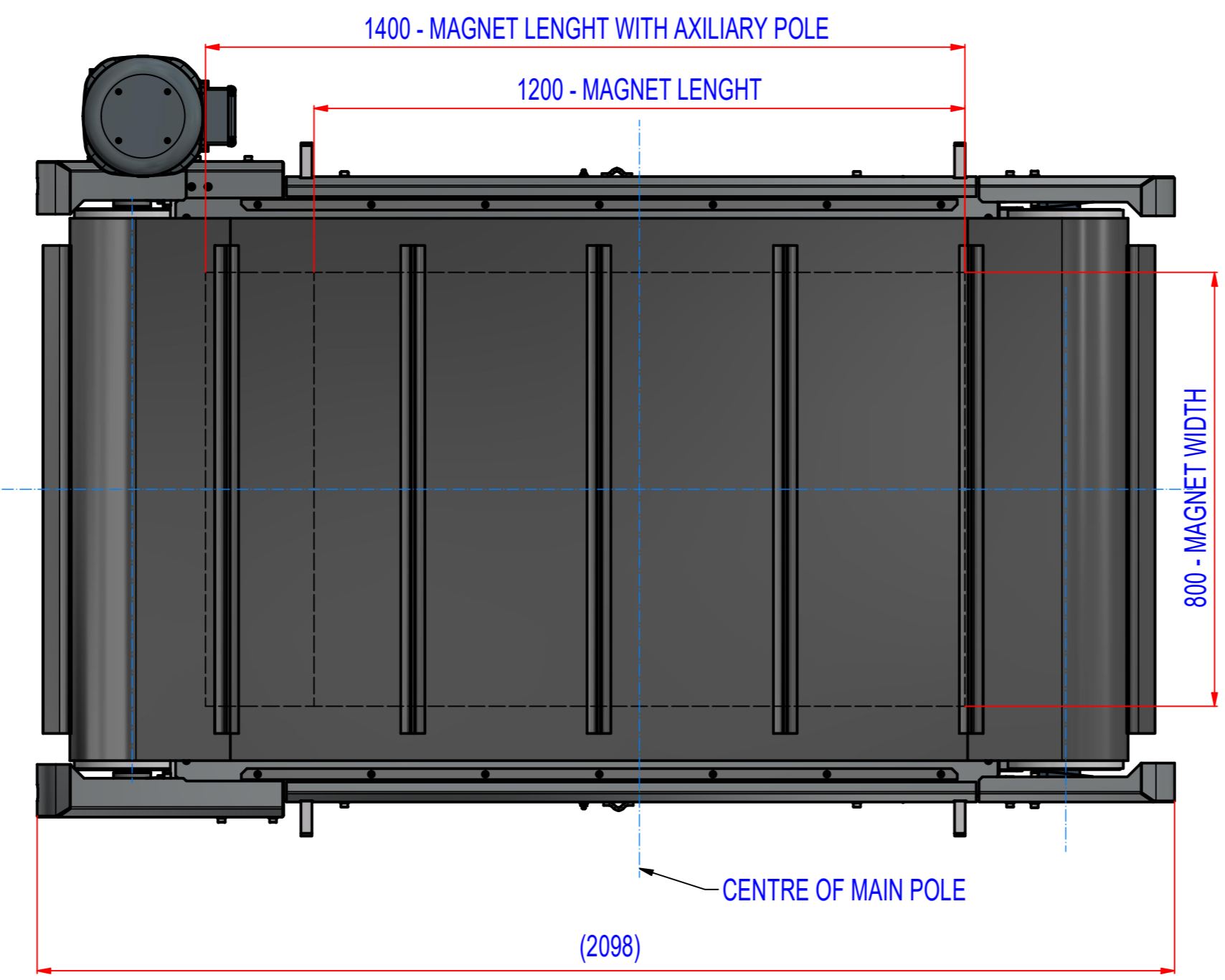
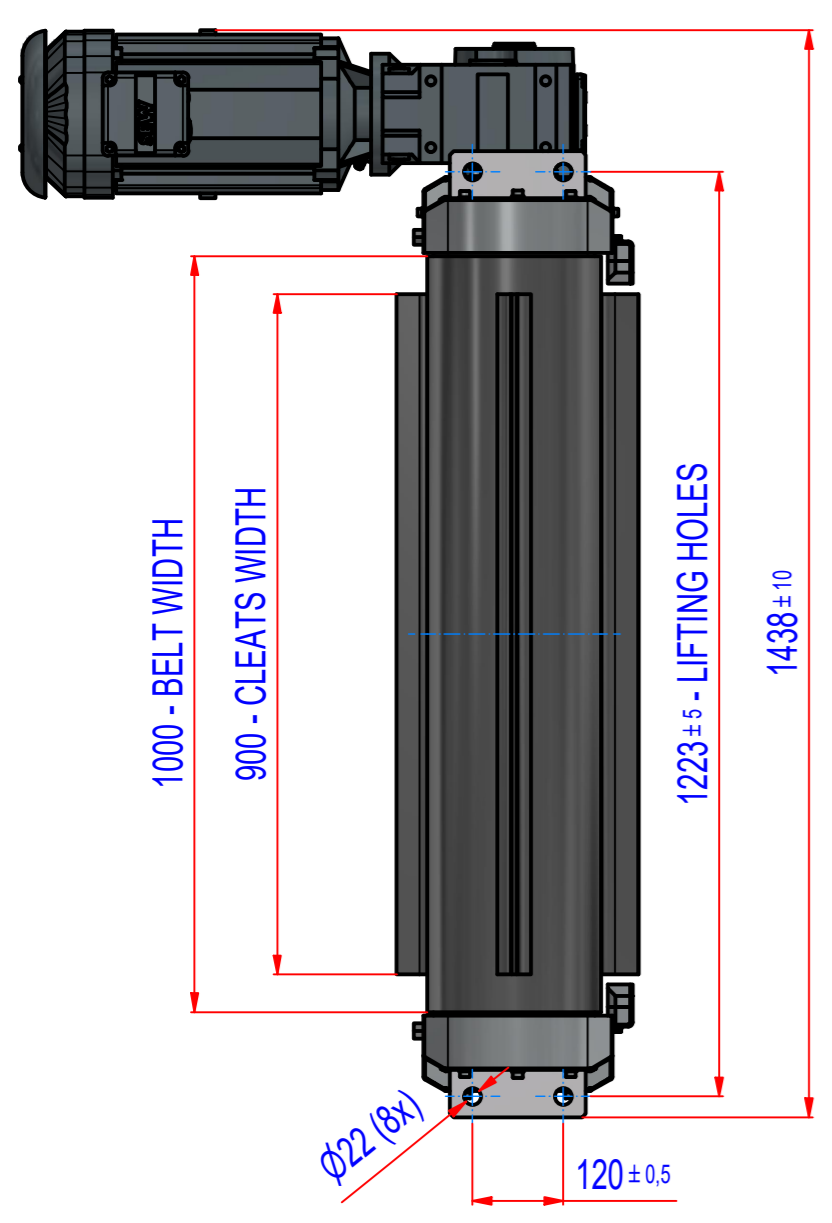


REV	DATE	BY	DESCRIPTION
-	08.03.2022	PH	Source RONC120341, size 5
A	08.03.2022	PH	Change belt (without impact layer)



A = 440 mm - max. catch distance for rod Ø15, L=75 mm (VDE)  
A = 375 mm - 400 Gs



MAGNET :	MAGNETS NdFeB, FERRITTE, WATERPROOF
FRAME:	MADE FROM AISI 304
PROTECT PLATES:	AISI 304, 2-3mm
BELT TYPE:	EP250/2 4+2, WIDTH 1000, LENGTH 4160, 12 CLEATS T50/20, WIDTH 900, COMPLETELY HOT VULCANISED
MOTOR:	SEW KA67DRN132S4/C, i=8,37(175RPM), 230/400V, 5,5kW, IP55
FINISH:	PAINTED / GRIT BLASTED (covering, frame)
ROLLERS:	STEEL, WITH CROWNING, RAL7022 ( UMBRA GREY )
ACCESSORIES:	FRAME SIDE COVERS GREASING FROM LEFT AND RIGHT SIDE

Sheet: A2	Extra info:	General tolerance: ISO 2768 - cL
Drawn: PH	Weight (kg): 1108,7	Drawn according: ISO268; ISO1101; ISO2553
Date: 08.03.2022		Status:
Predecessor:		Customer reference number:
Quick search:	© All rights reserved. Reproduction is not permitted without written permission of GOUDSMIT Magnetic Systems BV	Product key: ROP-N5-C-120-W-G-R-B-B-M-NA
Description: Overband magnet, NdFeB, size.5, W=1200, gear motor	Part number: RONC120351	Rev: A