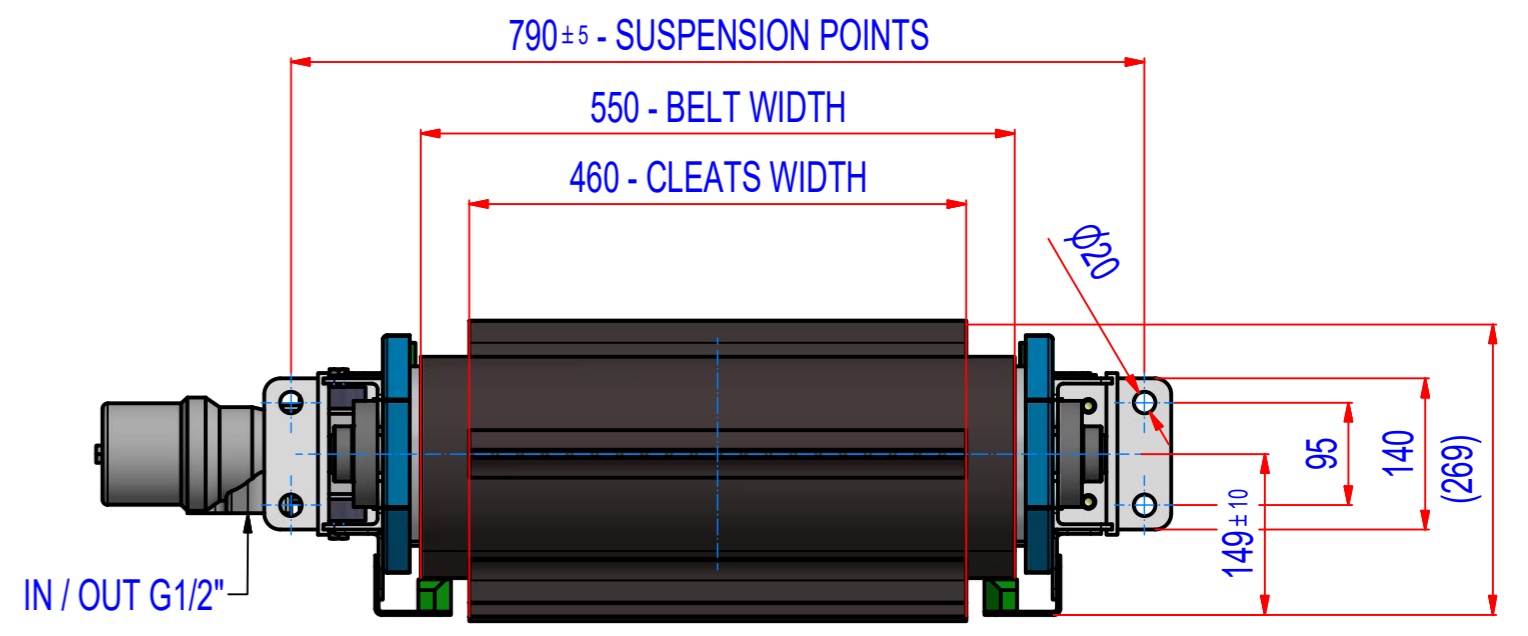
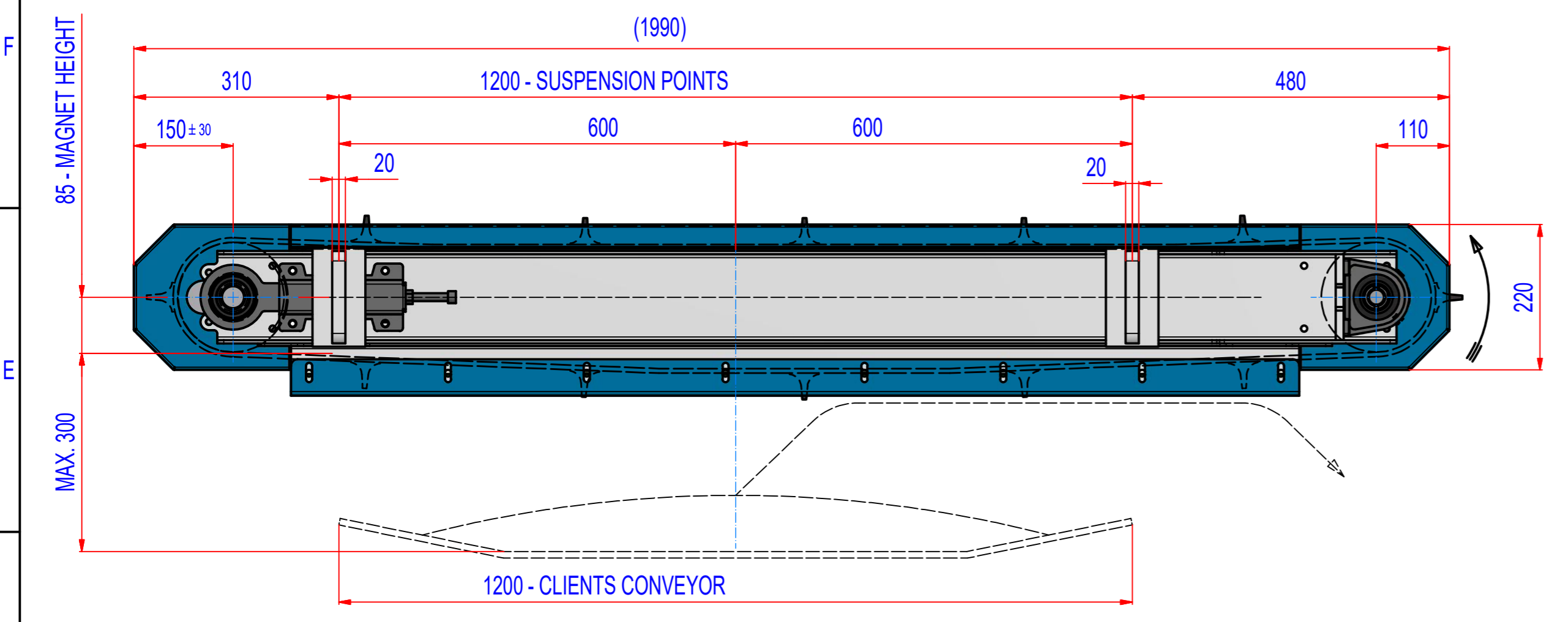
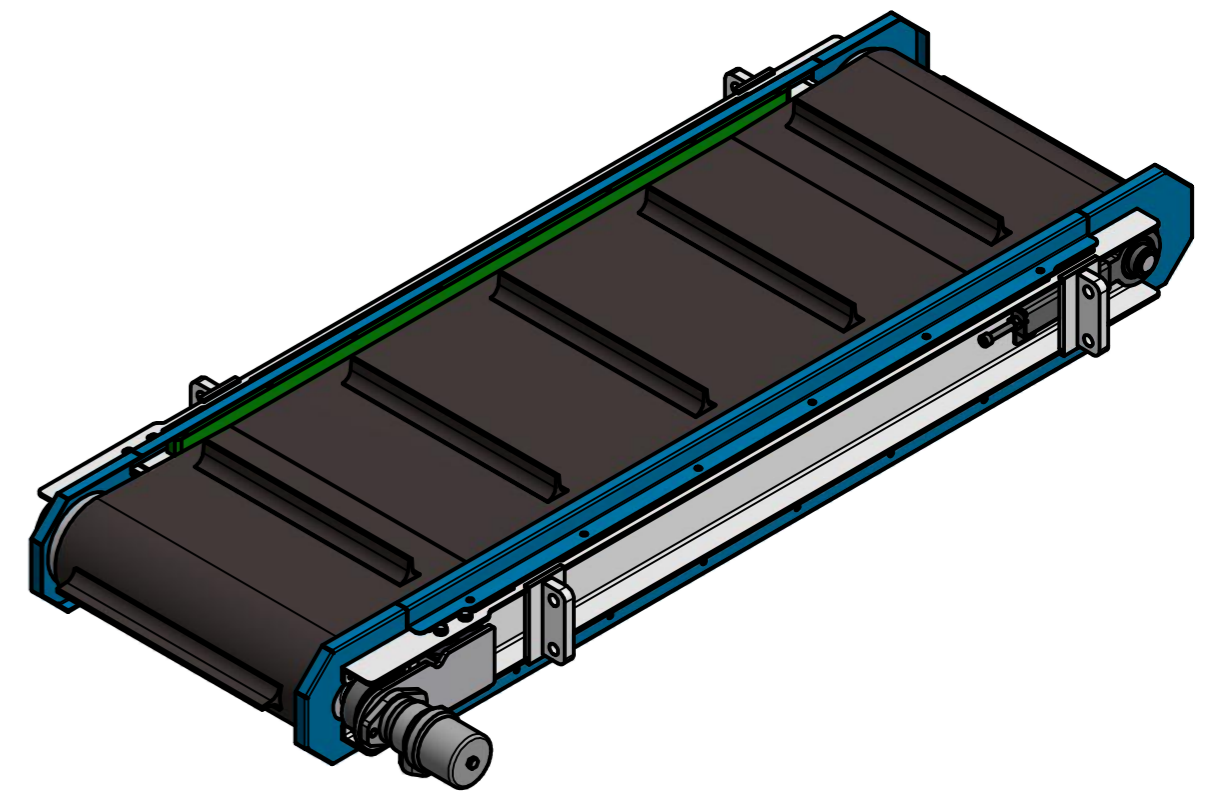
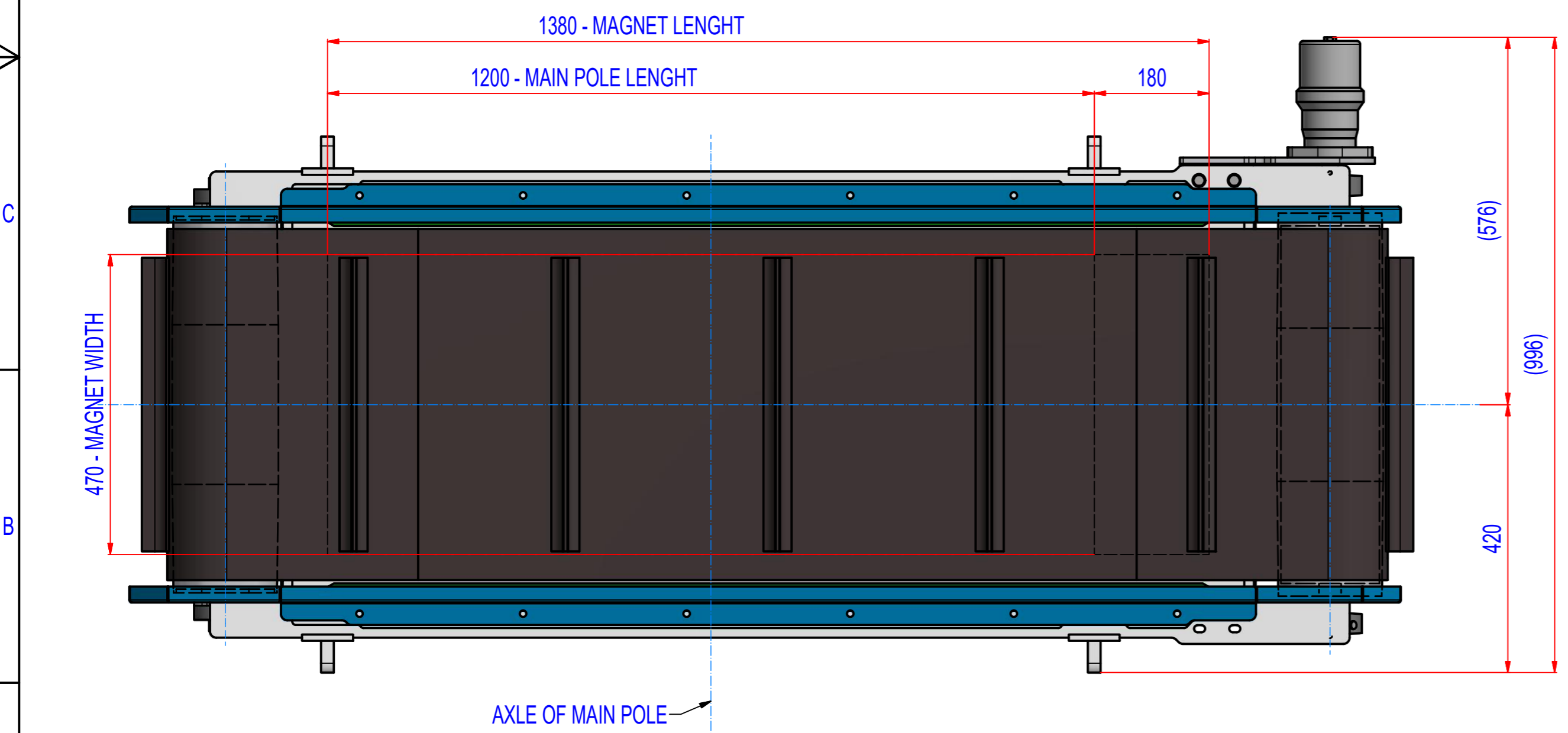


REV	BY	DATE	DESCRIPTION
-	PH	12.01.2018	NEW STANDARD; REF: M74_000000



NOTE: MAGNET SHOULD BE INSTALLED BETWEEN IDLER ROLLERS. ANY IDLER ROLLERS DIRECTLY BENEATH THE MAGNET SHOULD BE OF A NON-MAGNETIC MATERIAL.



MAGNET:	NdFeB N38
FRAME:	STAINLESS STEEL AISI304
PROTECTION COVERS:	STAINLESS STEEL AISI304
BELT TYPE:	EP250/3 4+2, WIDTH 550, LENGTH 4000, 12 CLEATS T40/10, WIDTH 460
RECOMMENDED BELT SPEED:	1,5 m/s (184 RPM)
	ASSEMBLING OF ENDLESS BELT IS POSSIBLE FROM THE SIDE
MOTOR:	DANFOSS HYDROMOTOR OMR315
TORQUE:	max.200 Nm (Continuous on drive shaft)
	DRIVE MOTOR ON OPOSITION SIDE IS OPTIONAL
DRIVE ROLLER:	DIAMETER 166mm, CARBON STEEL, BEARINGS ASSEMBLY PSHE40
RETURN ROLLER:	DIAMETER 166mm, CARBON STEEL, BEARINGS ASSEMBLY PHUSE35

Sheet: A2	Extra info:	General tolerance: ISO 2768 - cL
Drawn: PH	Weight (kg):	Drawn according: ISO268; ISO1101; ISO2553
Date: 12.12.2017		Status:
Predecessor:		Customer reference number:
Quick search: ASPB1200	© All rights reserved. Reproduction is not permitted without written permission of GOUDSMIT Magnetic Systems BV	Product key: ROP-N3-C-120-W-H-L-B-B-B-NA
Description: Permanent overbelt NdFeB magnet 53/120		Part number: RONC120530

COLOR USED ON DRAWING MAY BE DIFFERENT IN COMPARISON WITH FINAL EXECUTION
 THE INFORMATION CONTAINED IN THIS DOCUMENT MAY BE EDITED OR UPDATED BY WAMAG WITHOUT ANY PRIOR NOTICE
 THIS DRAWING AND INFORMATION IS THE PROPERTY OF WAMAG AND MUST NOT BE COPIED, PASSED ON OR RELATED TO A THIRD PARTY WITHOUT WRITTEN PERMISSION.