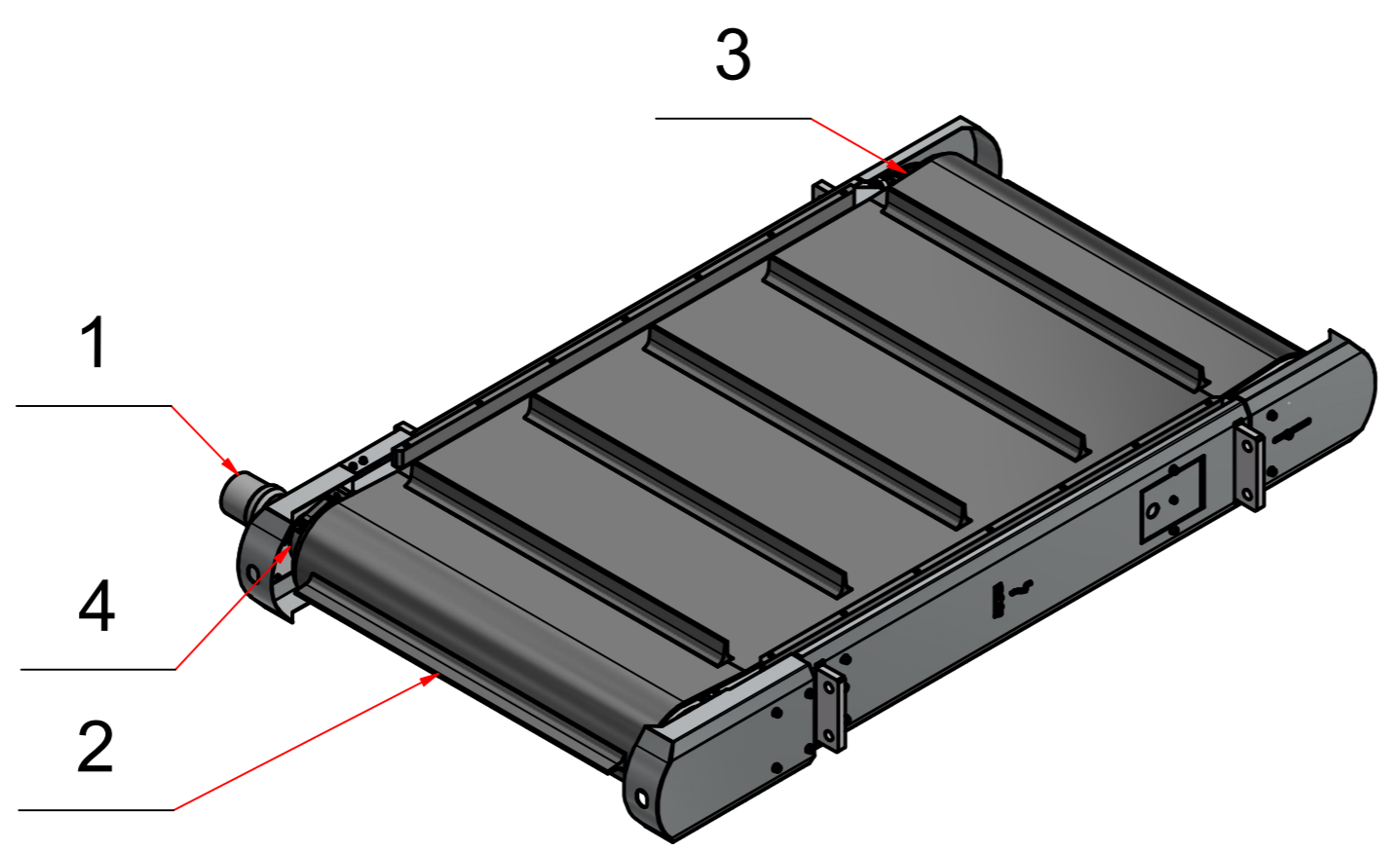
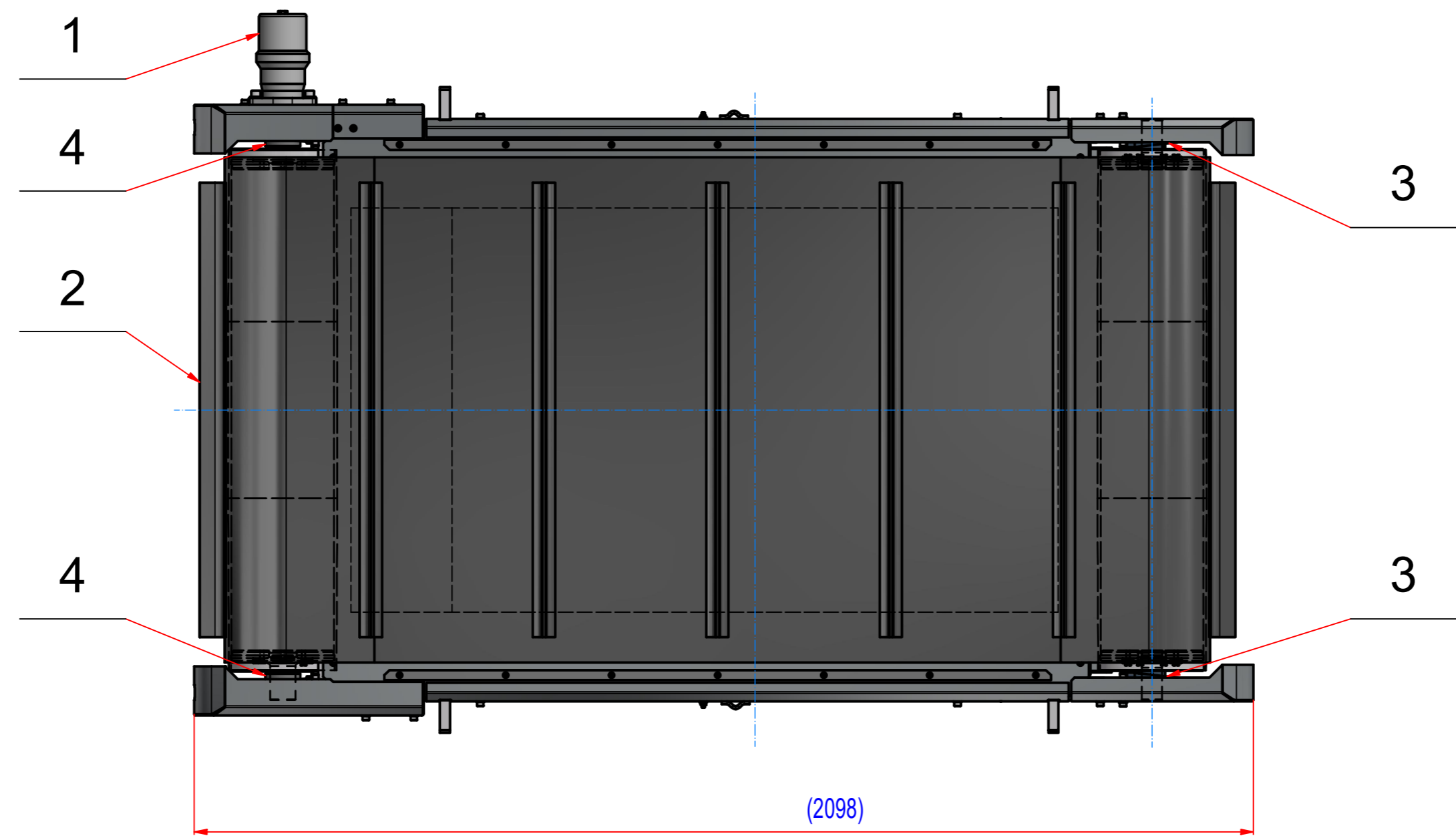
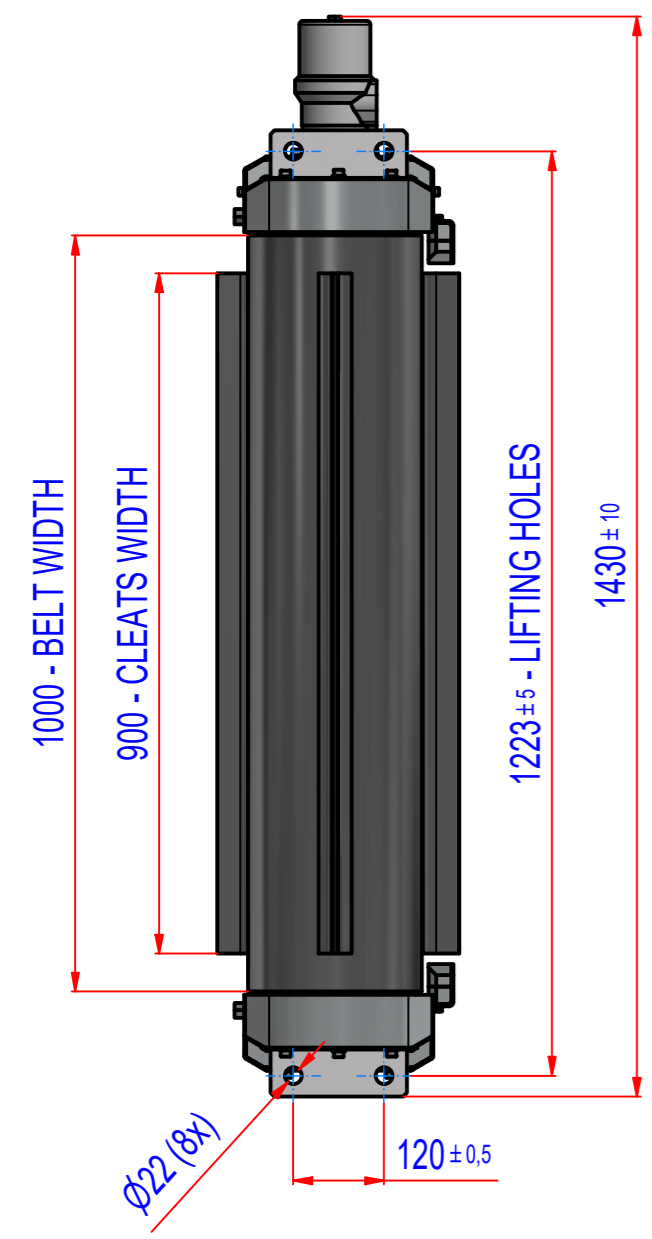
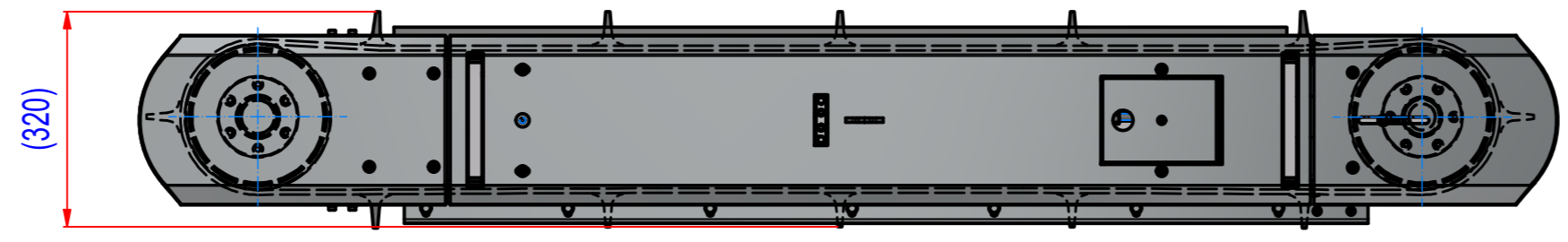


REV	DATE	BY	DESCRIPTION
-	10.10.2022	PH	Source RONC120541, SIZE 5



POS.	PART NUMBER	DESCRIPTION	MATERIAL	WEIGHT	QTY
4	15_8900050	Bearing assy PSHE 50		2,5	2
3	15_8900041	Bearing assy PSHEY 40		1,7	2
2	45_4100056	Belt EP250, w=1000, L=4160	RUBBER	36,2	1
1	76_4090013	Hydromotor OMR X 315, 11186652		9	1

Sheet: A2	Extra info:	General tolerance: ISO 2768 - cL
Drawn: PH	Weight (kg): 1027,2	Drawn according: ISO268; ISO1101; ISO2553
Date: 10.10.2022		Status:
Predecessor:		Customer reference number:
Quick search:	© All rights reserved. Reproduction is not permitted without written permission of GOUDSMIT Magnetic Systems BV	Product key: ROP-N5-C-120-W-H-R-B-B-M-NA
Description: SPARE PARTS for overband magnet, NdFeB, size.5, W=1200	Part number: RONC120551_SP	Rev: -