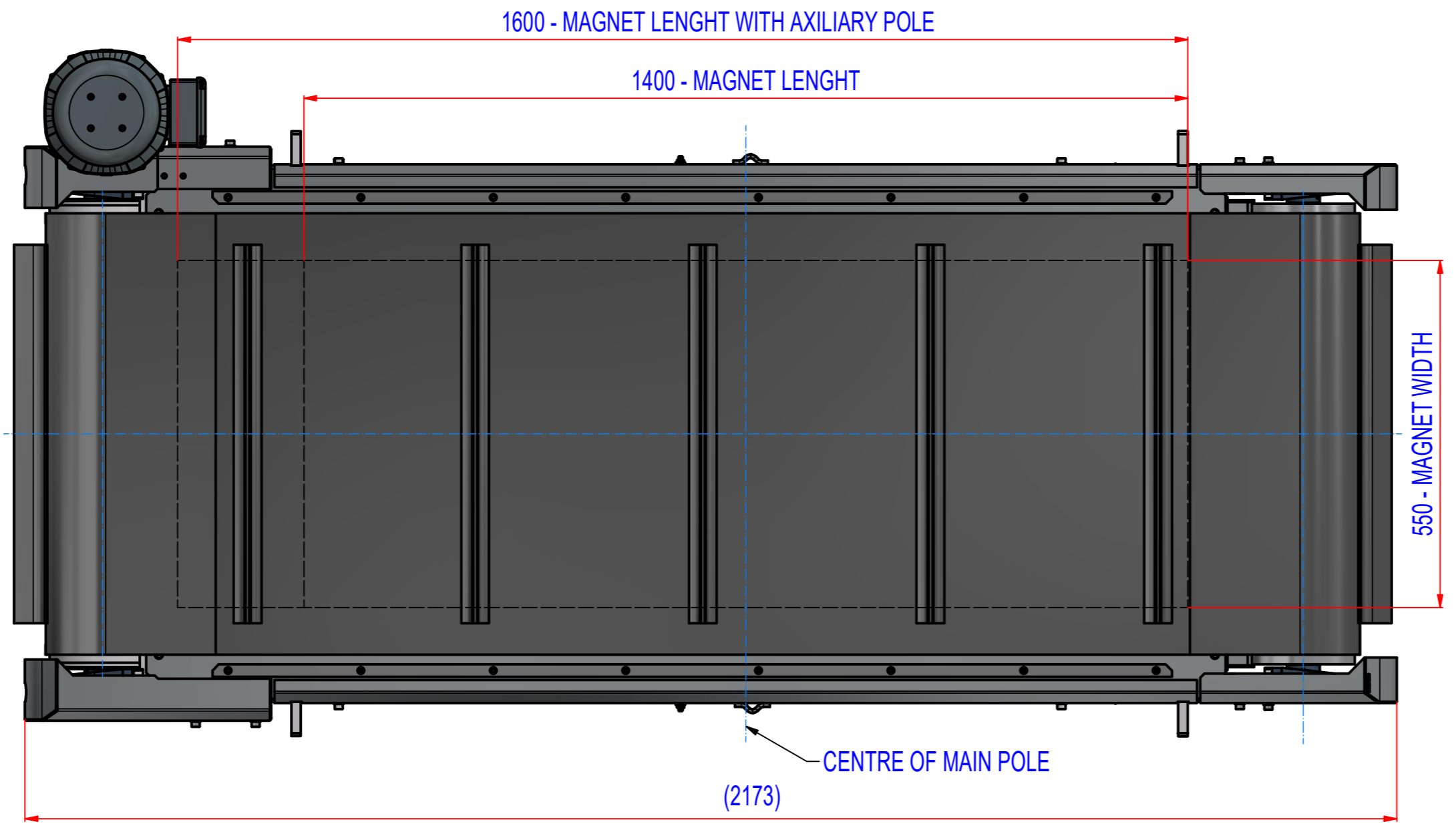
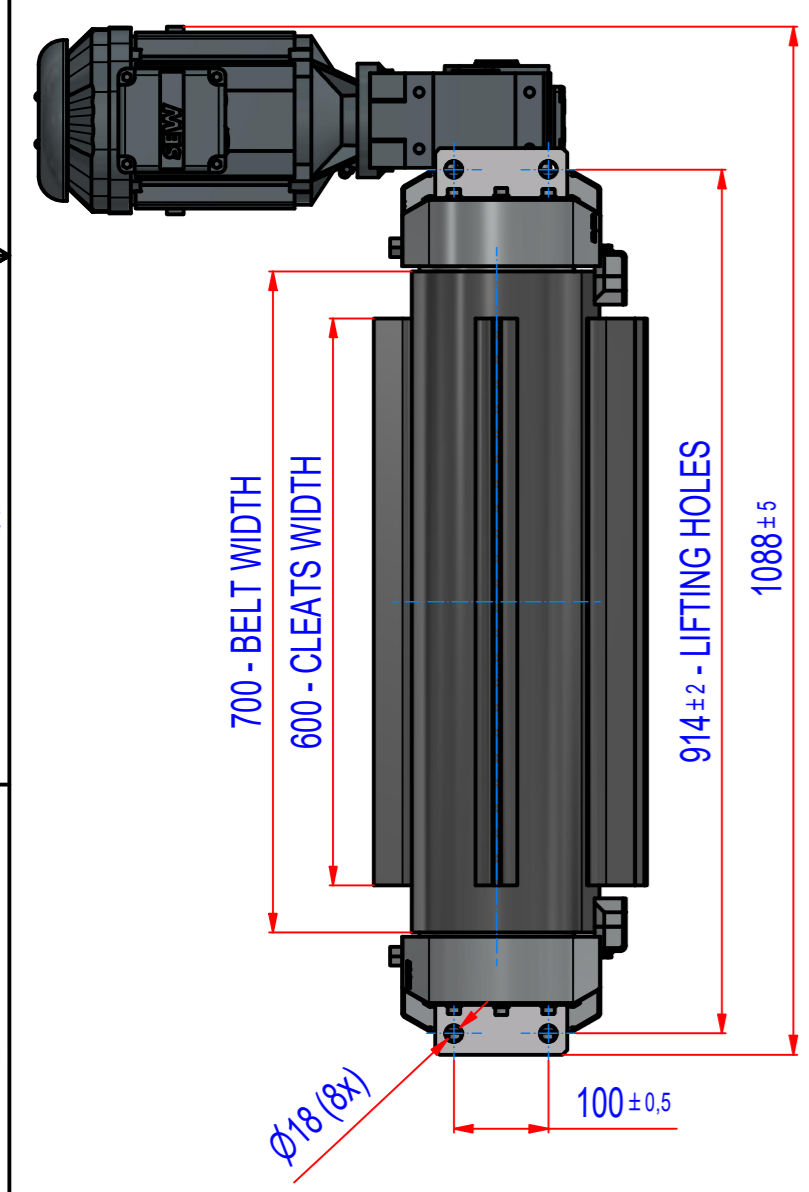
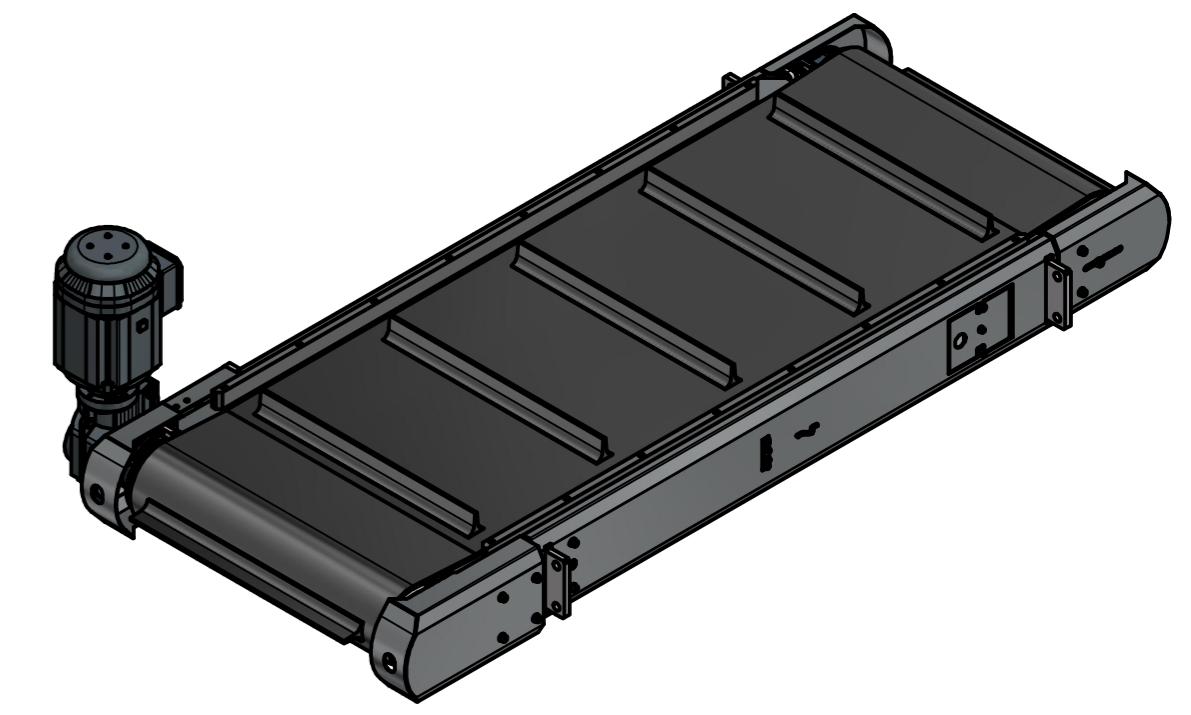
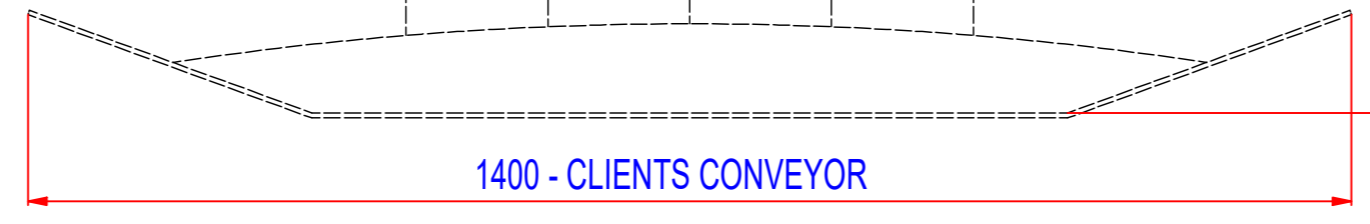
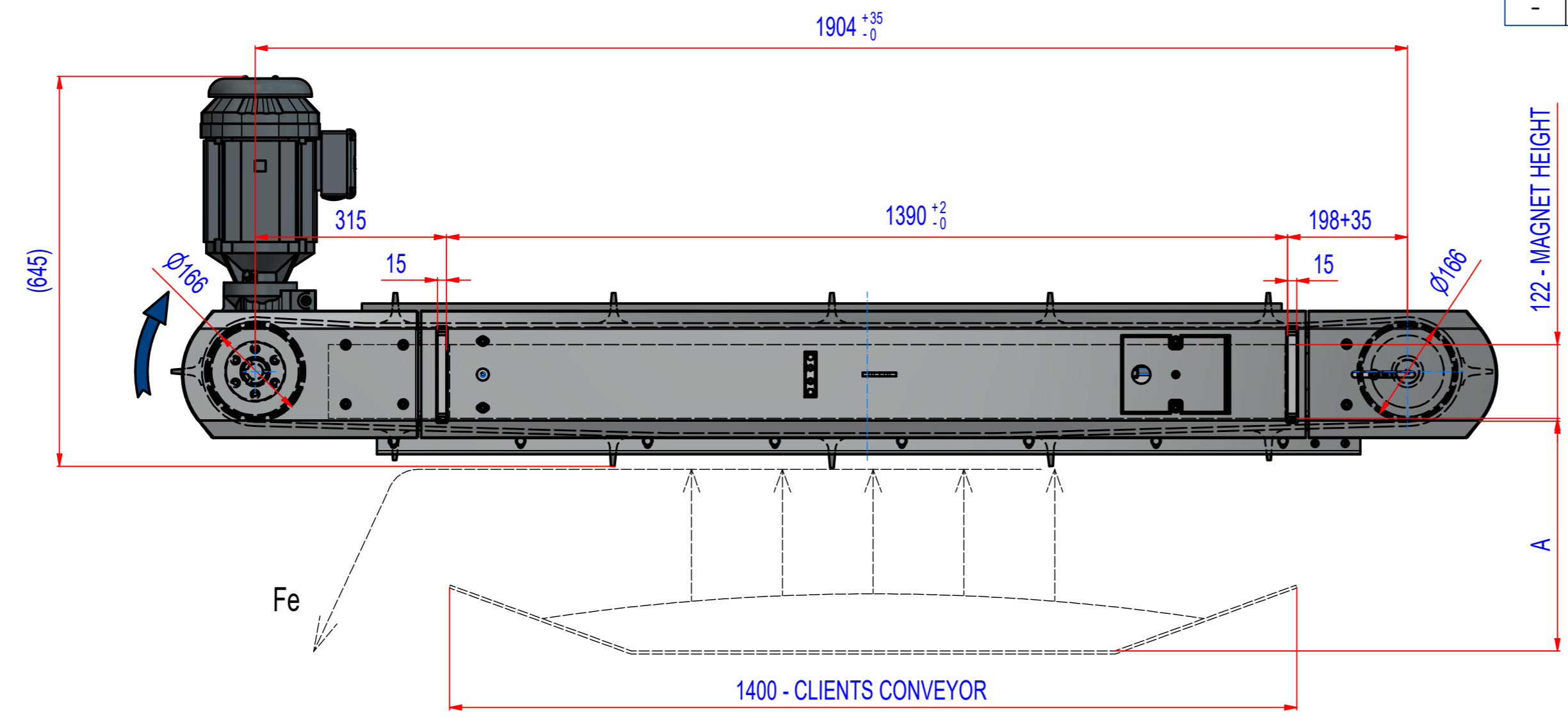


REV	DATE	BY	DESCRIPTION
-	06.01.2022	PH	Source RONC100341



A = 390 mm - max. catch distance for rod Ø15, L=75 mm (VDE)
A = 310 mm - 400 Gs

MAGNET : MAGNETS NdFeB, FERRITE, WATERPROOF
FRAME: MADE FROM AISI 304
PROTECT PLATES: AISI 304, 2-3mm
BELT TYPE: EP250/2 3+1,5, WIDTH 700, LENGTH 4350, 12 CLEATS T50/20, WIDTH 600
MOTOR: SEW KA37DRN100LS4/C i=7,96 (182RPM) 230/400V, 2,2 kW, IP55
ACCESSORIES: FRAME SIDE COVERS
GREASING FROM LEFT AND RIGHT SIDE

Sheet: A2	Extra info:	General tolerance: ISO 2768 - cL
Drawn: PH	Weight (kg): 826.7	Drawn according: ISO268; ISO1101; ISO2553
Date: 06.01.2022		Status:
Predecessor:		Customer reference number:
Quick search:	© All rights reserved. Reproduction is not permitted without written permission of GOUDSMIT Magnetic Systems BV	Product key: ROP-N4-C-140-W-G-R-B-B-M-NA
Description: Overband magnet, NdFeB, size.4, W=1400, gear motor	Part number: RONC140341	Rev: -