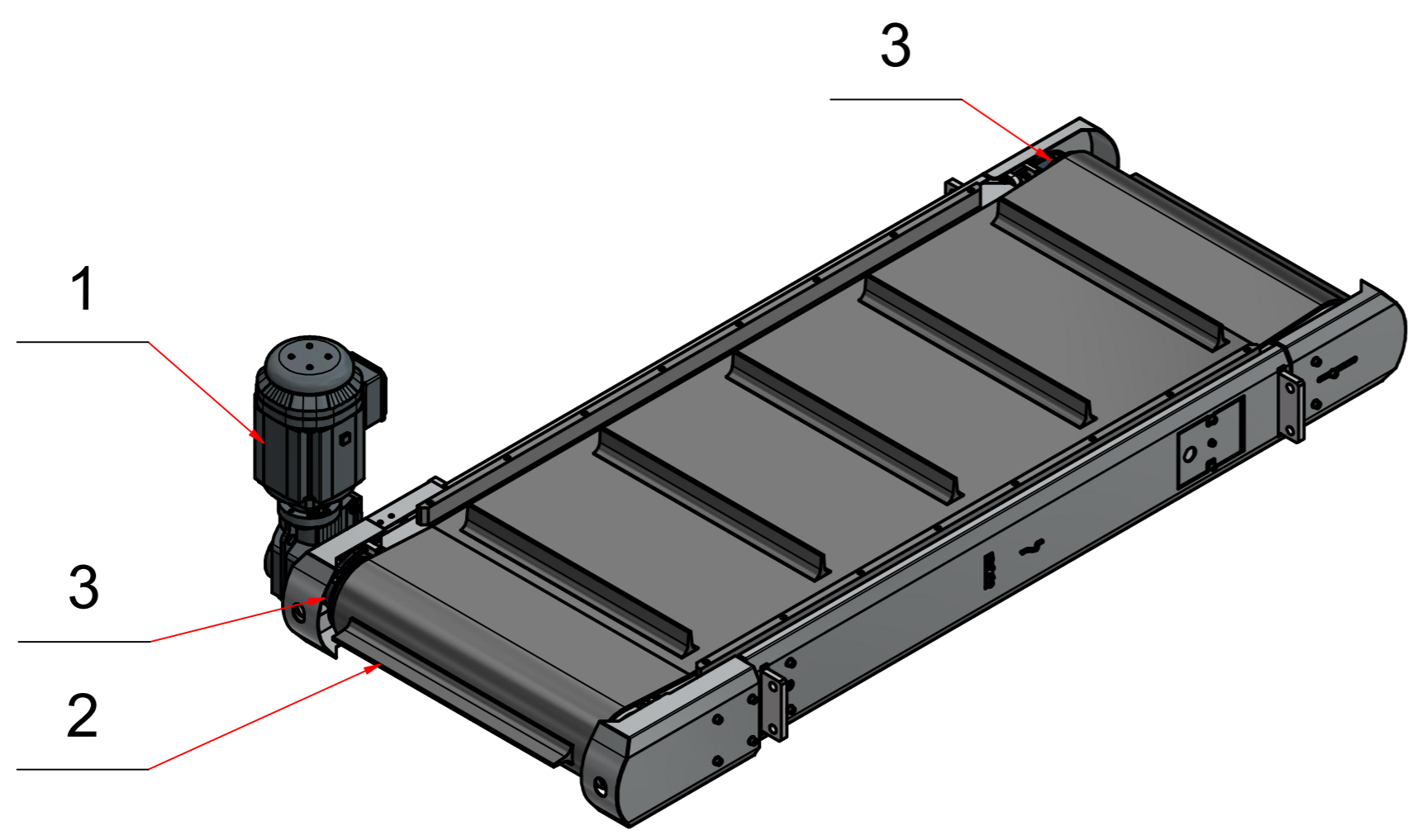
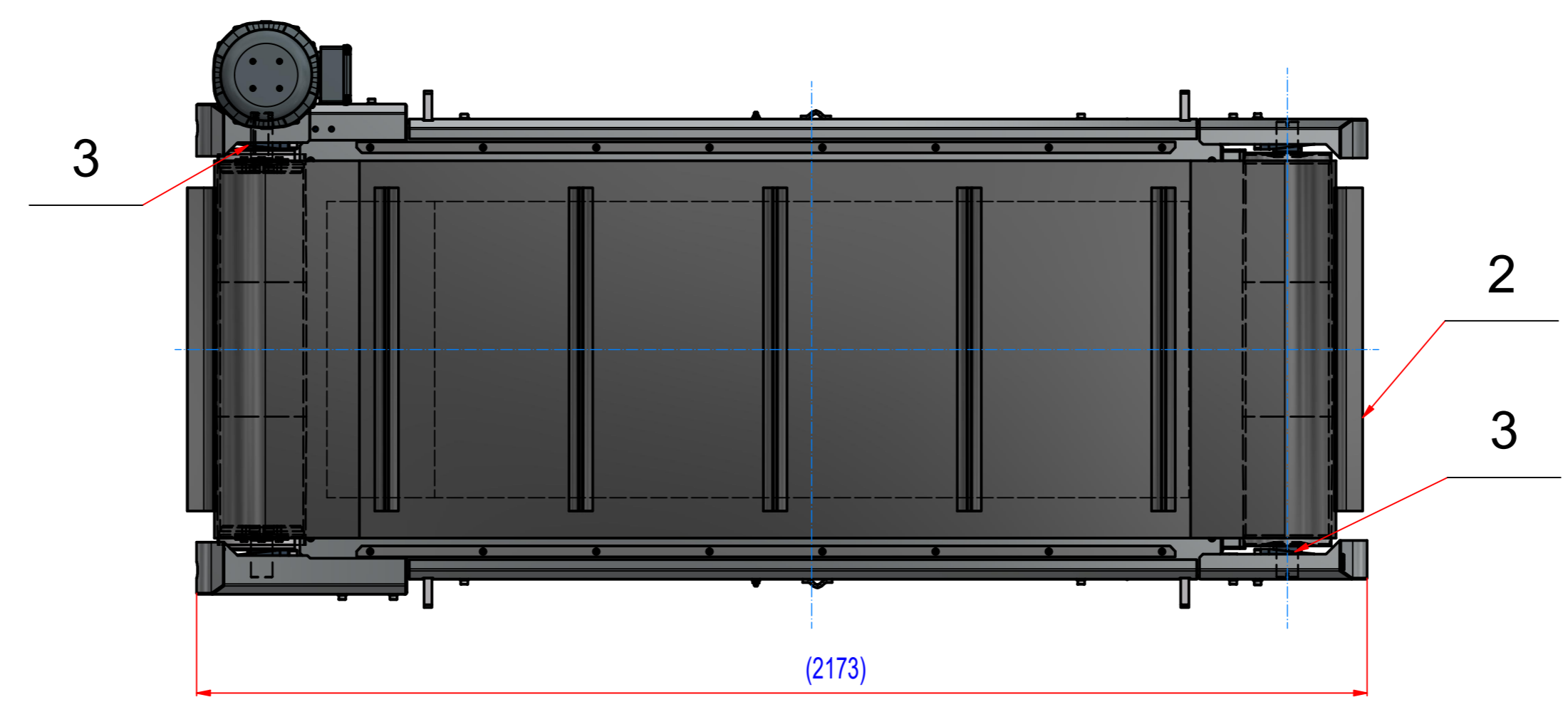
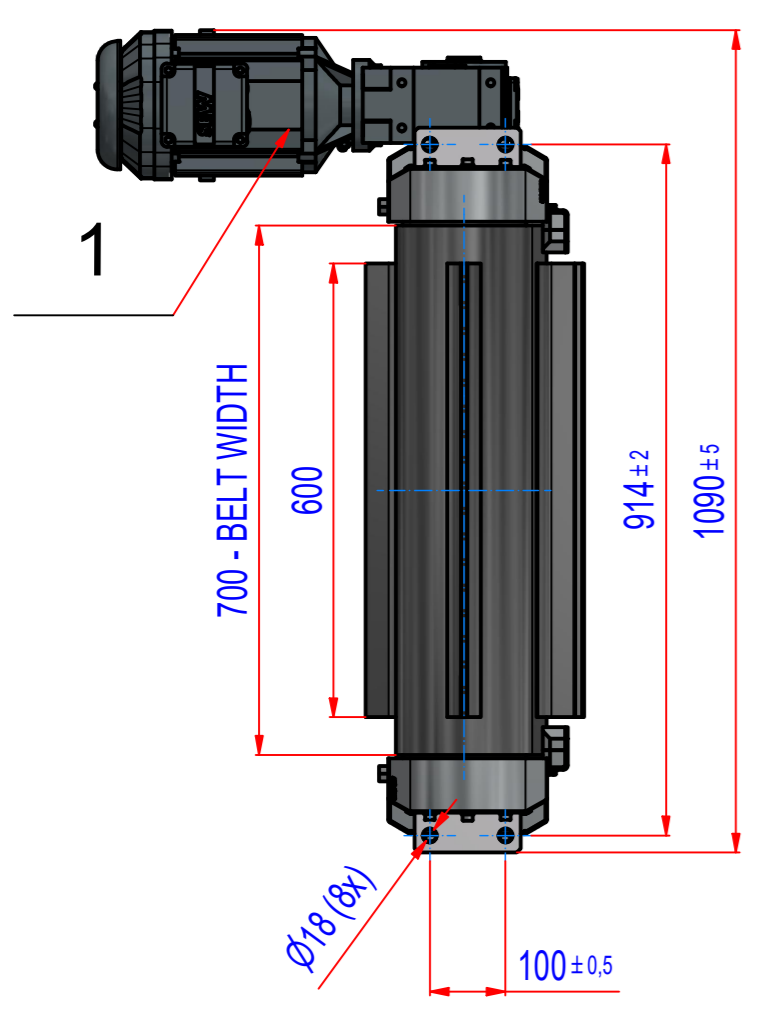
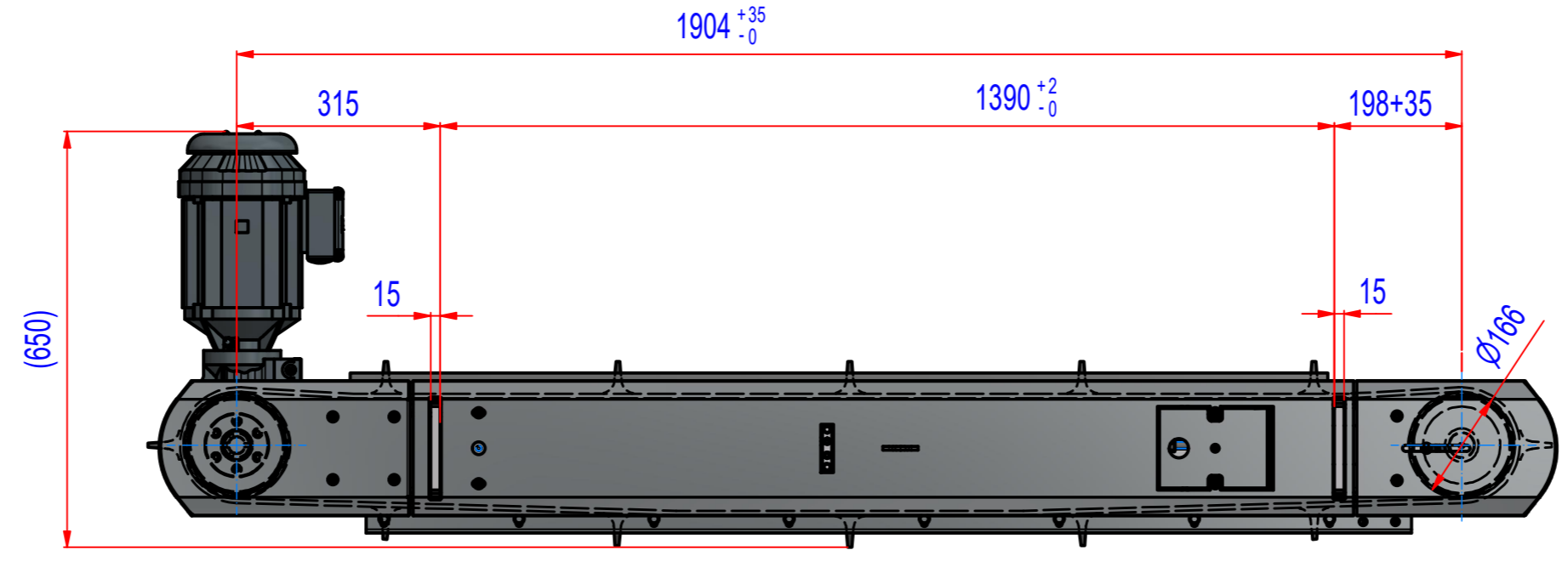


REV	DATE	BY	DESCRIPTION
-	06.01.2022	PH	Source RONC100341



POS.	PART NUMBER	DESCRIPTION	MATERIAL	WEIGHT	QTY
3	15_8900041	Bearing assy PSHEY 40		0,3	4
2	45_4070008	Belt EP250, w=700, L=4350	RUBBER	26,1	1
1	MS22018203	Drive SEW KA37DRN100LS4/C		37	1

Sheet: <b>A2</b> Drawn: <b>PH</b> Date: <b>06.01.2022</b> Predecessor:	Weight (kg): <b>826.7</b> <b>GOUDSMIT</b> <b>MAGNETICS</b> <small>© All rights reserved. Reproduction is not permitted without written permission of GOUDSMIT Magnetic Systems BV</small>	General tolerance: <b>ISO 2768 - cL</b> Drawn according: <b>ISO268; ISO1101; ISO2553</b> Status: Customer reference number: Product key: <b>ROP-N4-C-140-W-G-R-B-B-M-NA</b> Part number: <b>RONC140341_SP</b> Rev: -
Description: <b>SPARE PARTS for overband magnet, NdFeB, size.4, W=1400</b>		