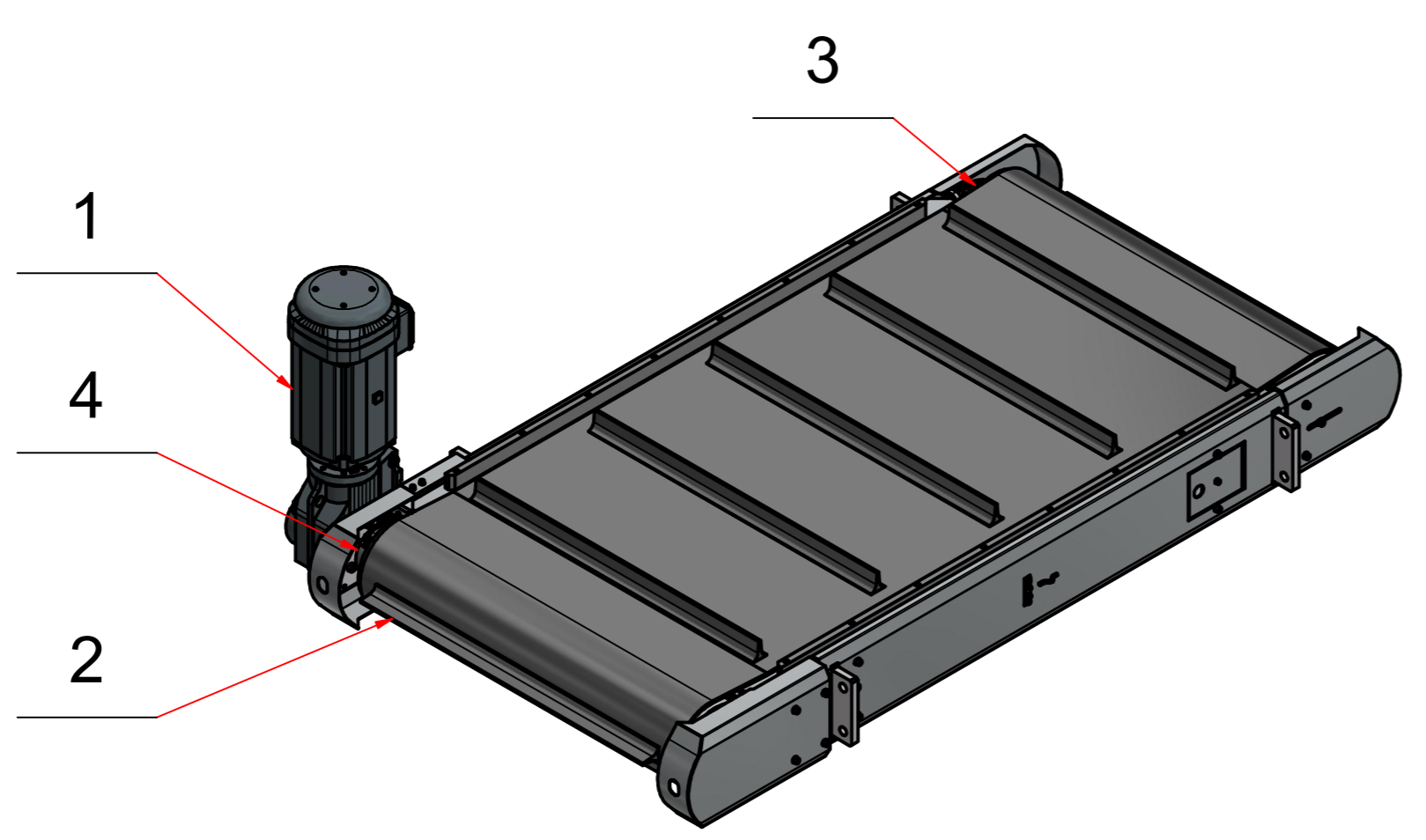
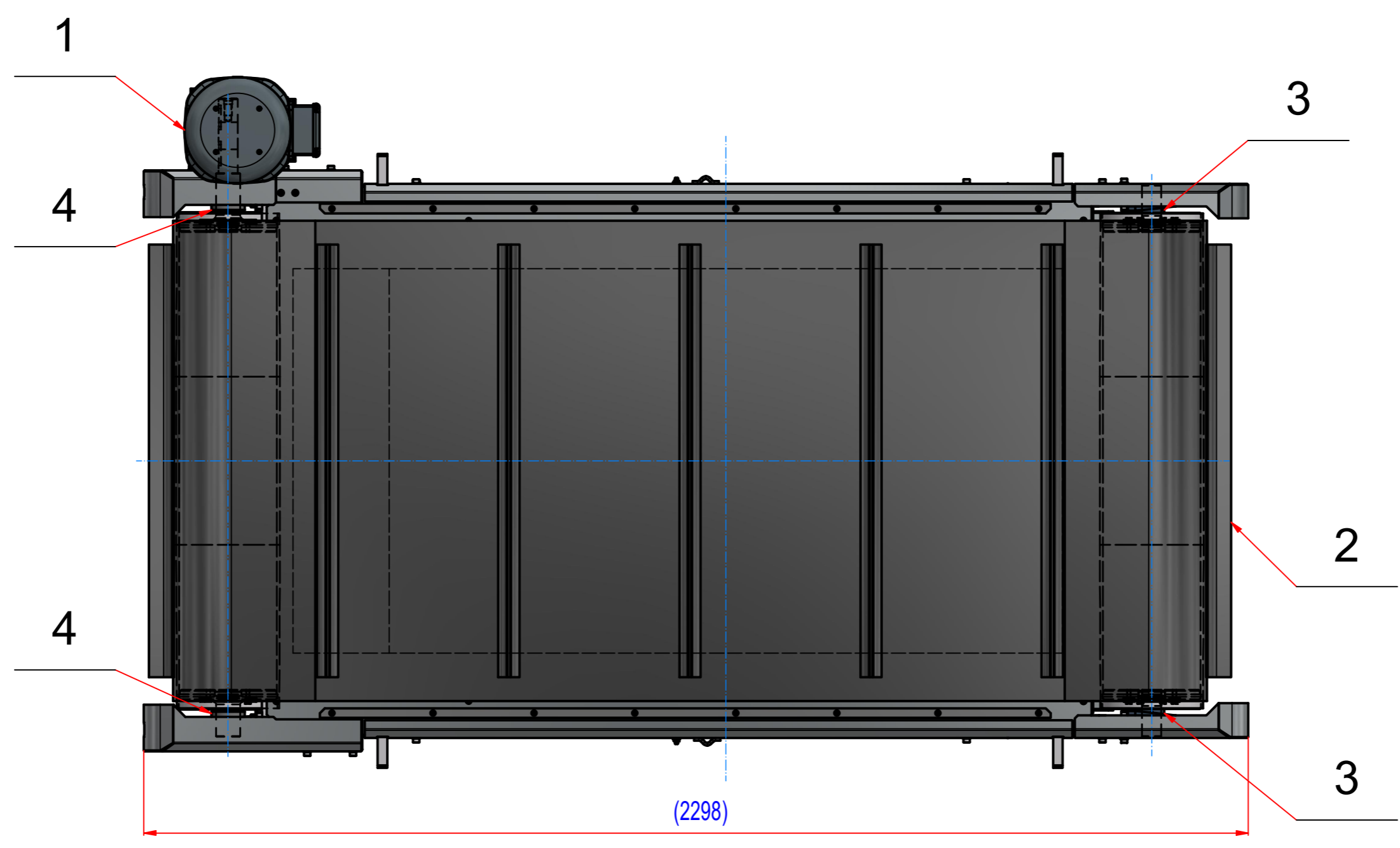
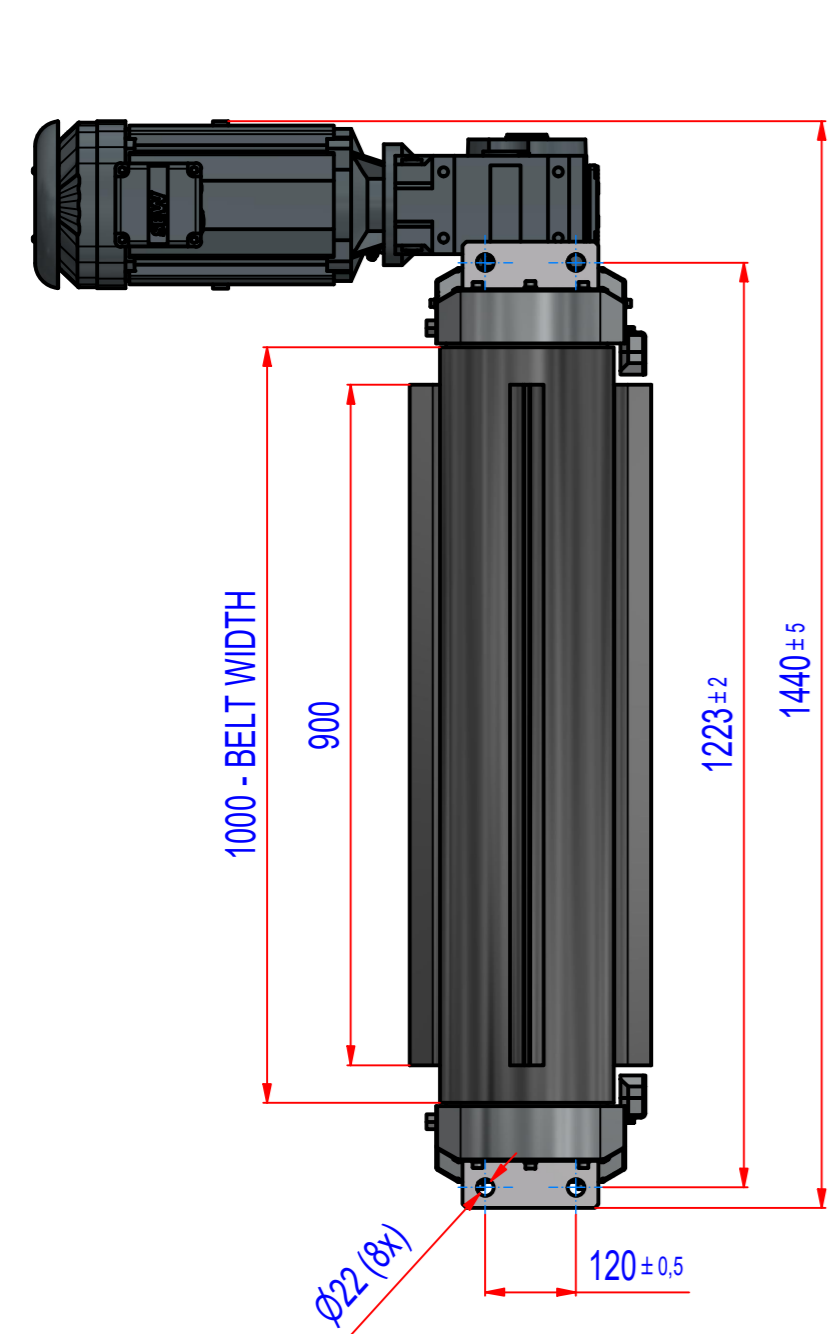
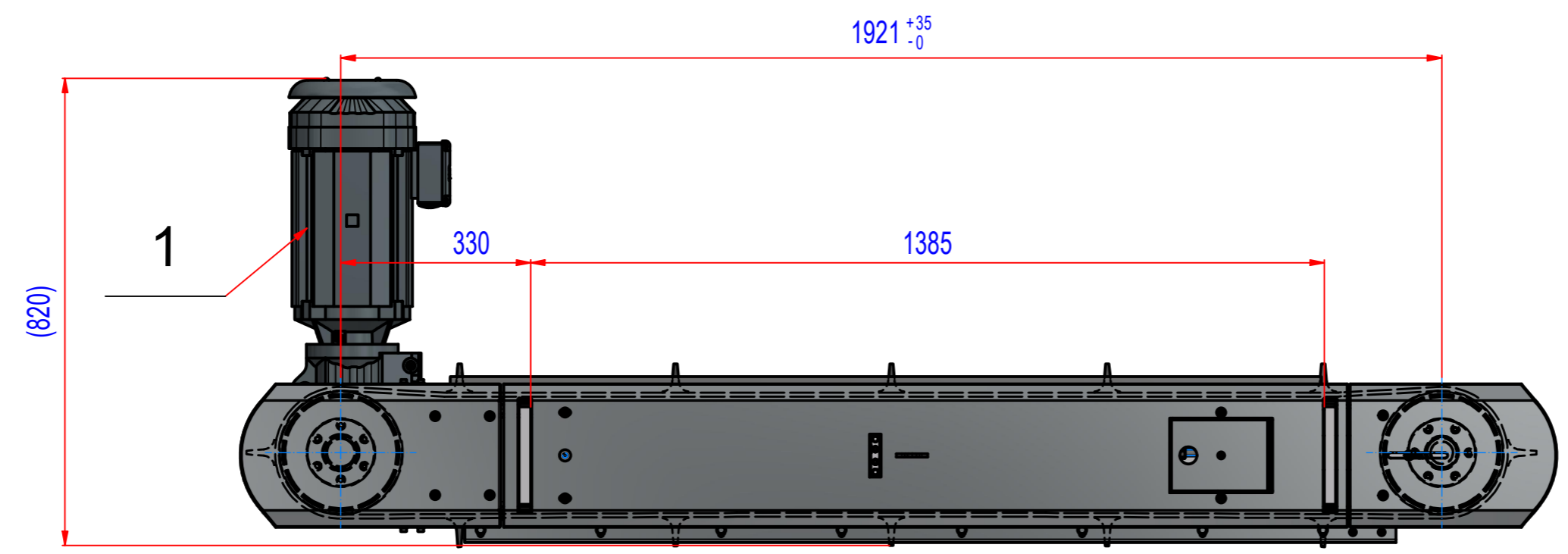


REV	DATE	BY	DESCRIPTION
-	21.04.2023	PH	Source RONC120351



POS.	PART NUMBER	DESCRIPTION	MATERIAL	WEIGHT	QTY
4	15_8900050	Bearing assy PSHE 50		2,5	2
3	15_8900041	Bearing assy PSHEY 40		1,7	2
2	45_4100069	Belt EP250, w=1000, L=4160	RUBBER	38,9	1
1	MS55017502	Drive SEW KA67DRN132S4/C, 5,5kW, i=8,37		88	1

Sheet: A2 Drawn: PH Date: 21.04.2023 Predecessor: Quick search: Description: SPARE PARTS for overband magnet, NdFeB, size.5, W=1200	Weight (kg): 1243.8 © All rights reserved. Reproduction is not permitted without written permission of GOUDSMIT Magnetic Systems BV	Extra info: General tolerance: ISO 2768 - cL Drawn according: ISO268; ISO1101; ISO2553 Status: Customer reference number: Product key: ROP-N5-C-140-W-G-R-B-B-M-NA Part number: RONC140351_SP Rev: -
--	--	---