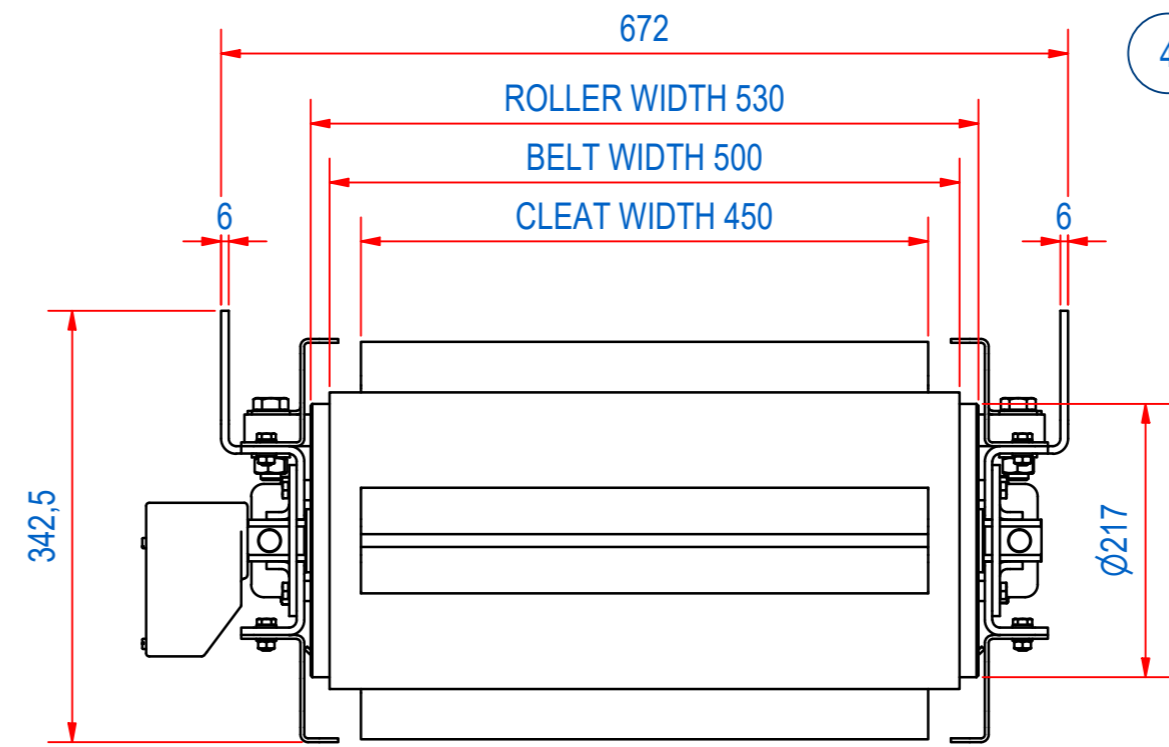
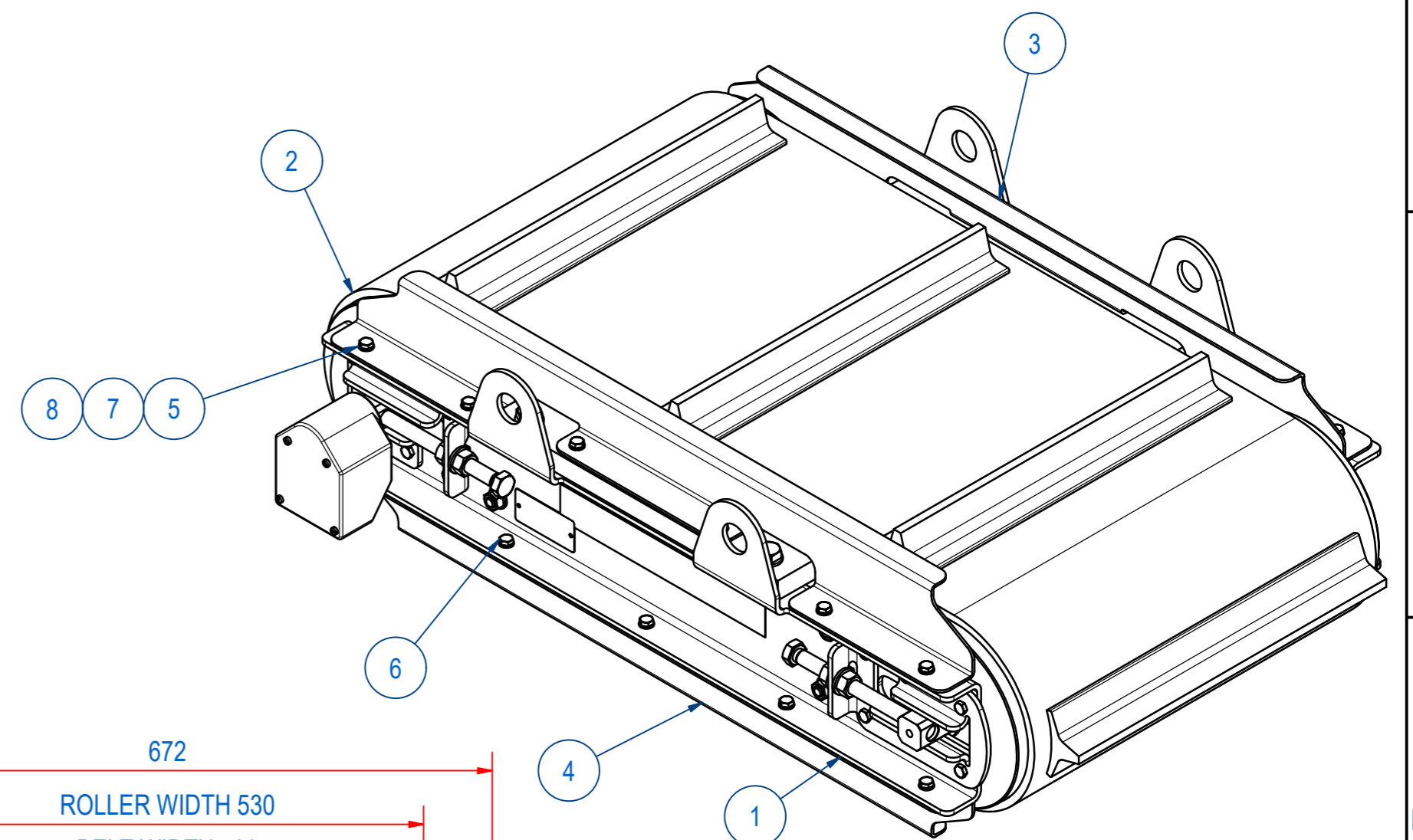
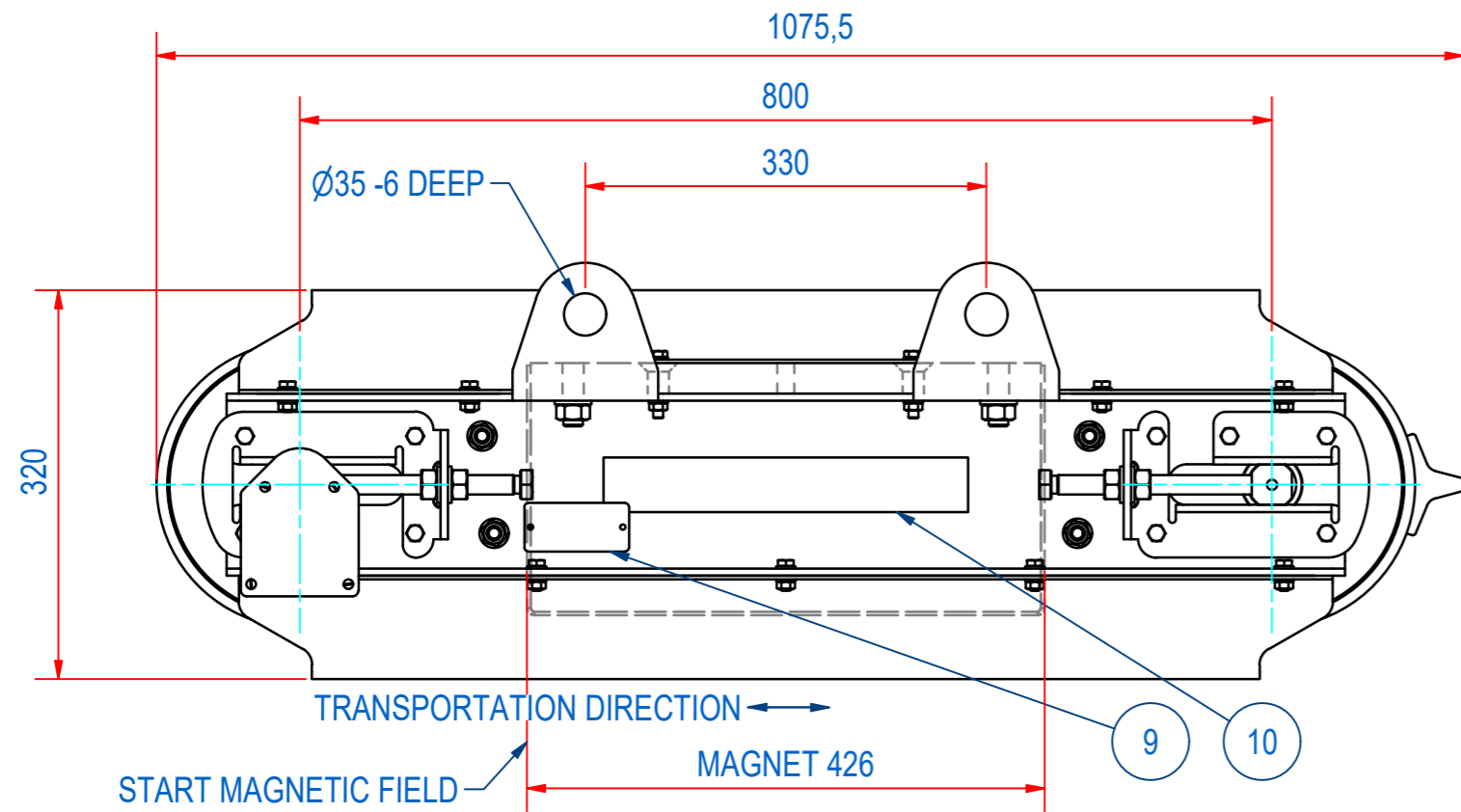
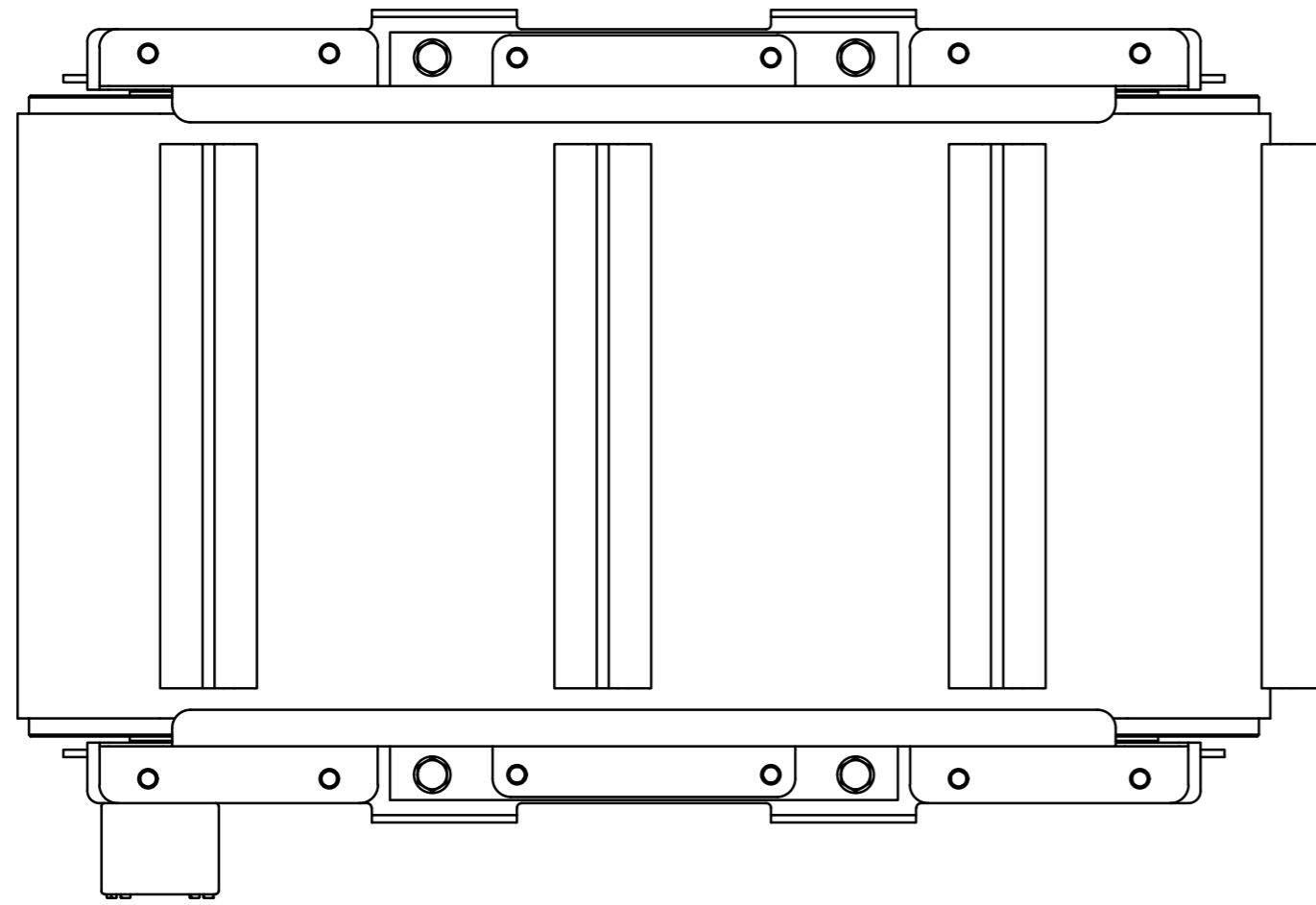


| DOC.NR.    | REV | DATE      | BY | DESCRIPTION                |
|------------|-----|-----------|----|----------------------------|
| SAPB040520 | A   | 20-5-2020 | TT | CHANGED TRANSPORTATION BOX |
| SAPB040520 | B   | 8-1-2021  | DD | PRODUCTKEY ADDED           |
| SAPB040520 | C   | 12-5-2021 | TT | ADDED DIMENSIONS           |



| ITEM | QTY | PART NUMBER | DESCRIPTION                      | Dimensions |
|------|-----|-------------|----------------------------------|------------|
| 11   | 1   | E0132171    | WOODEN BOX 1300x850x600 mm OSB   |            |
| 10   | 2   | E0132058    | STICKER GOUDSMIT MAG. W300 BLACK |            |
| 9    | 2   | E0131502    | SAPB DATA PLATE                  |            |
| 8    | 4   | 50.1208050  | BOLT, HEX M8x50 - A2             | M8x50      |
| 6    | 18  | 50.1208020  | BOLT, HEX M8x20 - A2             | M8x20      |
| 5    | 44  | 70.0200008  | WASHER M 8- A2                   | M 8        |
| 7    | 22  | 60.0200008  | NUT, HEX M8 - A2                 | M8         |
| 4    | 2   | S200169     | BELT COVER BOTTOM SAPB040520     |            |
| 3    | 2   | S200168     | BELT COVER TOP SAPB040520        |            |
| 2    | 1   | 45.3050002  | RUBBER BELT EP400/3-4+2          |            |
| 1    | 1   | A200156     | SUB ASSY SAPB050420 W. MAGNET    |            |

| RAW MAT. | Quantity | Material Number | Material Description | Length (mm) | Width (mm) |
|----------|----------|-----------------|----------------------|-------------|------------|
| 1        | 1        |                 |                      |             |            |

|   |   |  |
|---|---|--|
| Sheet: <b>A2</b>                                | Extra info:   | General tolerance: <b>ISO 2768 - cL</b>              |
| Drawn: <b>EK</b>                                | Weight (kg): <b>450</b>   | Drawn according: <b>ISO268; ISO1101; ISO2553</b>     |
| Date: <b>8-6-2010</b>                           |   | Status: <b>Released</b>                              |
| Spare part: Source:                             |   | Customer reference number:                           |
| Quick search: <b>SAPB04</b>                     | <b>GOUDSMIT MAGNETICS</b>   | Document number: <b>SAPB040520</b> Doc.Rev: <b>C</b> |
| Description: <b>ROP-F1-C-040-M-D-L-B-B-B-NA</b> | © All rights reserved. Reproduction is not permitted without written permission of GOUDSMIT Magnetic Systems BV | Part number: <b>SAPB040520</b> Rev: <b>B</b>         |

DRIVE ROLLER: P=1,5 KW; i=4,7A; BELT SPEED 1,7 m/s;  
 3x230/400V-50Hz  
 BELT: EP 400/3 4+2 Y; LENGTH 2280; WIDTH 500;  
 7 CLEATS T40/20x450  
 TRANSPORTATION DIMENSIONS: 1300x850x600

**INSTALLATION DETAILS:**  
 -ANGLE MAXIMAL 30°  
 -CONNECTION BOX ON TOP

