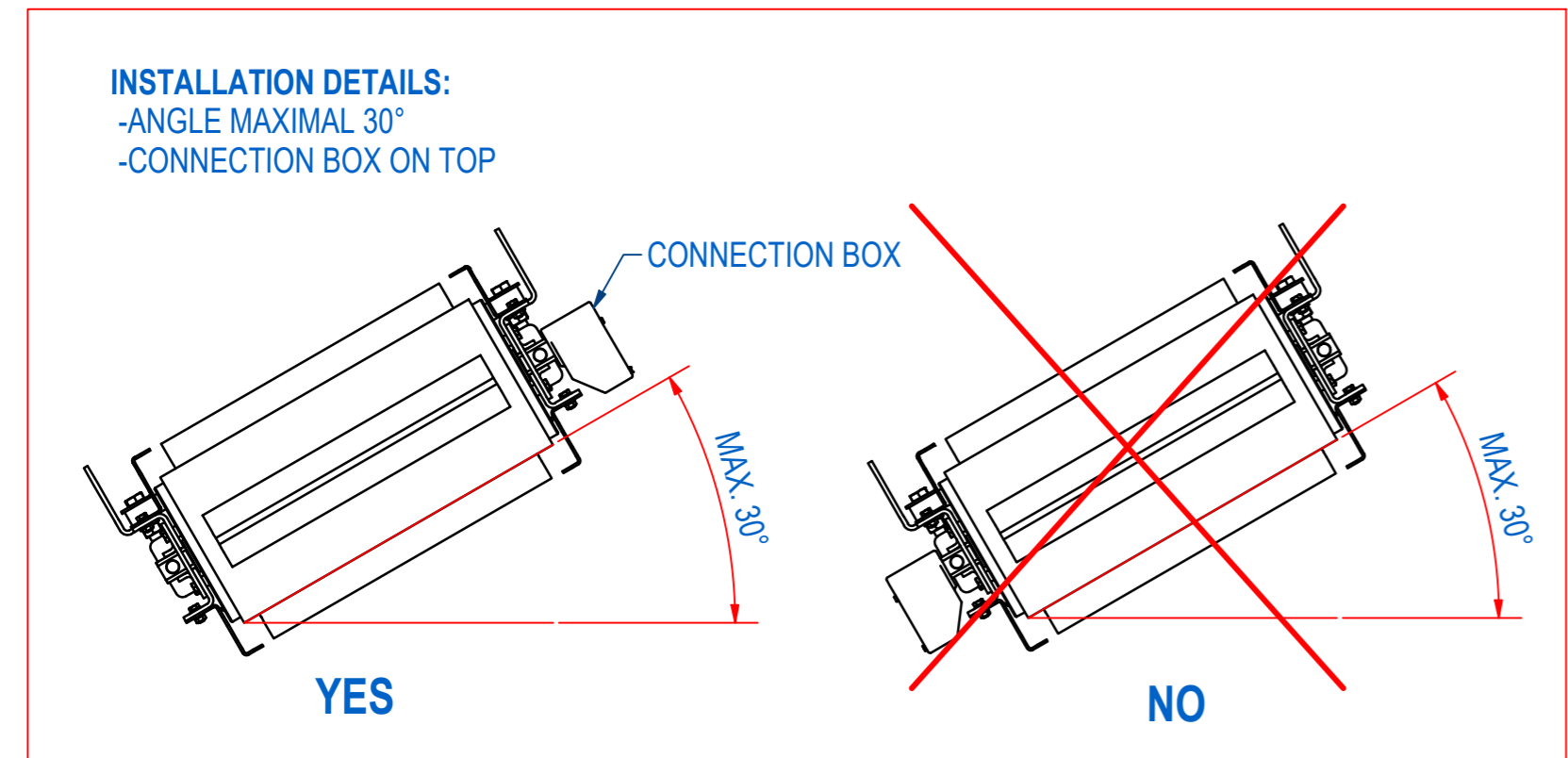
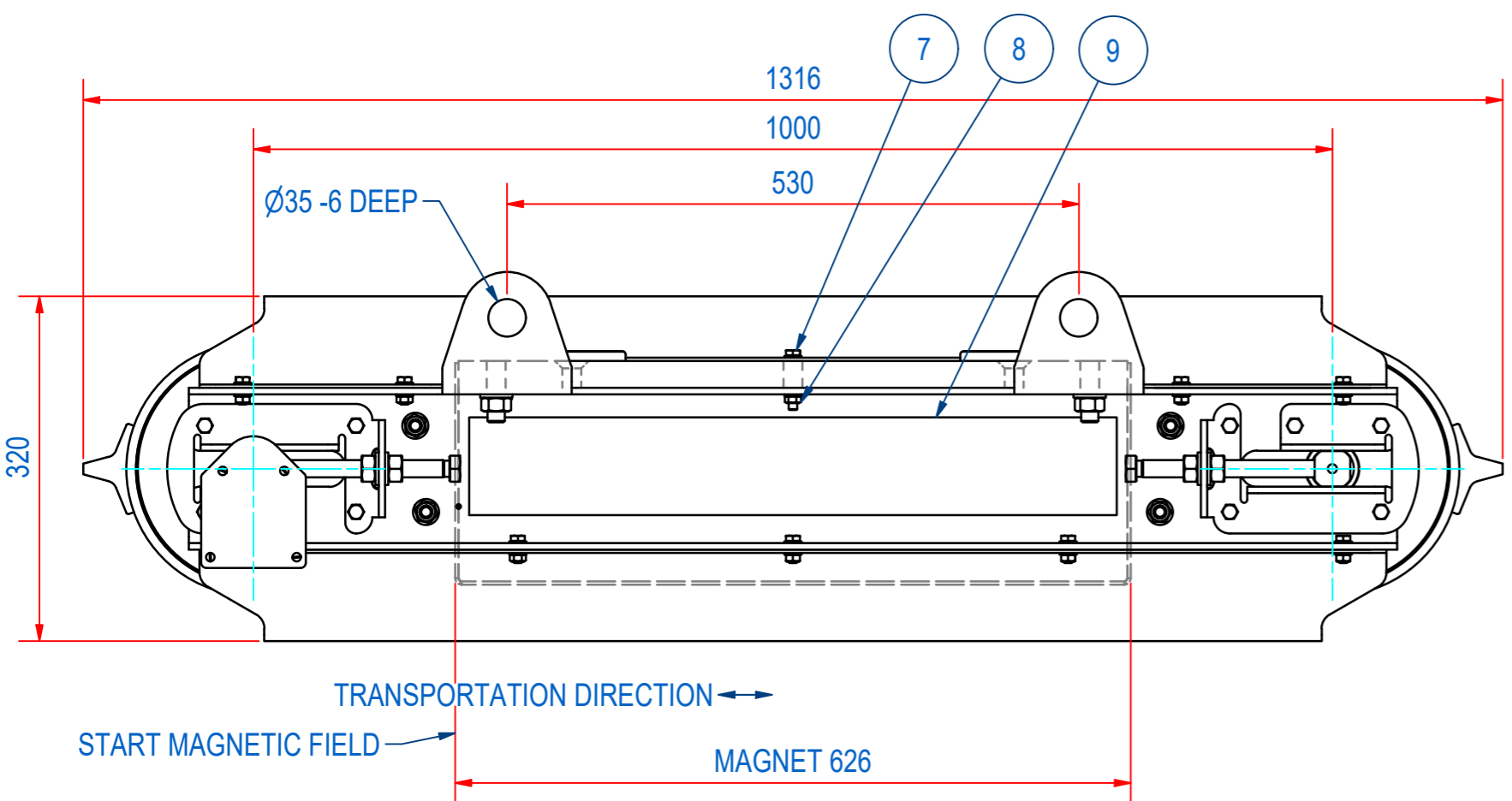
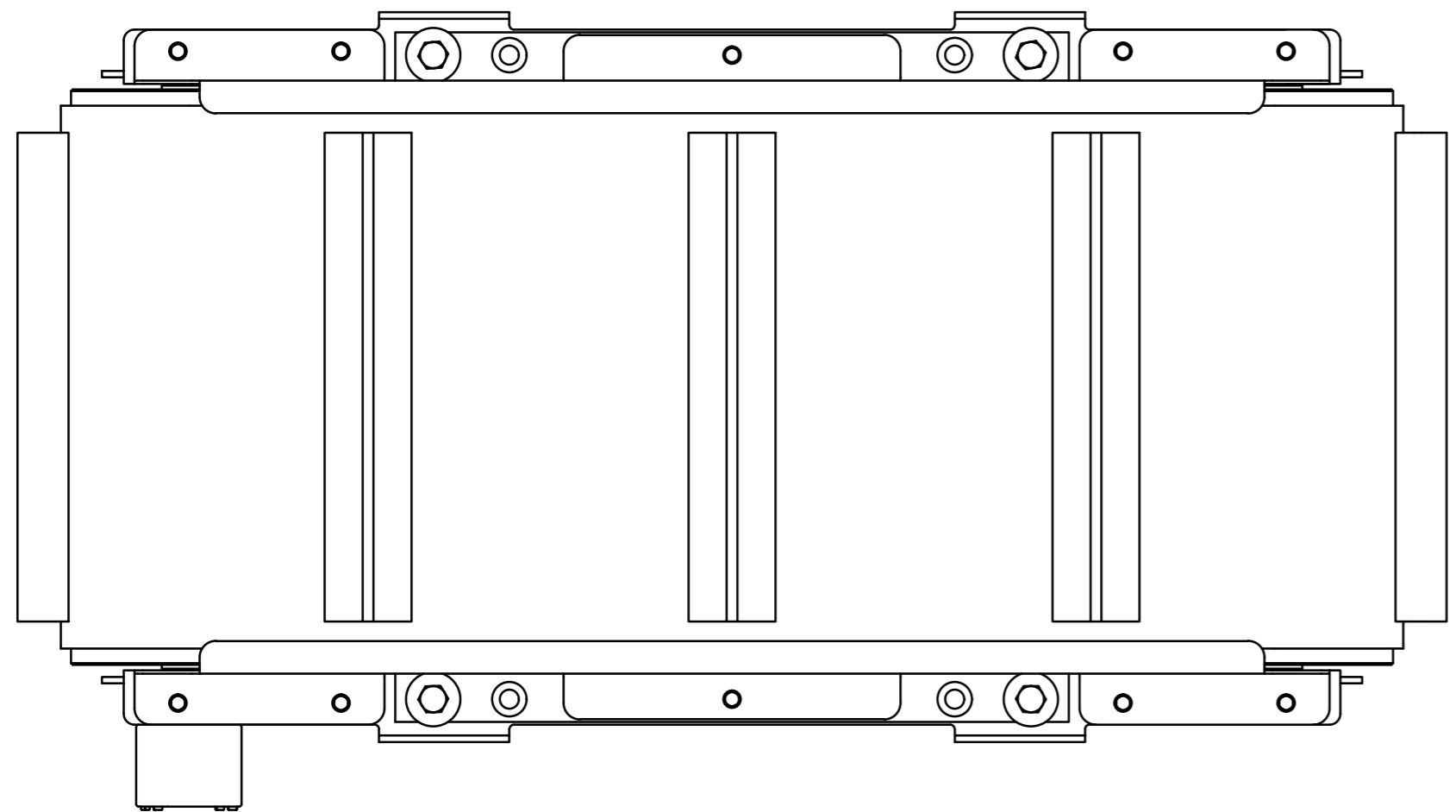
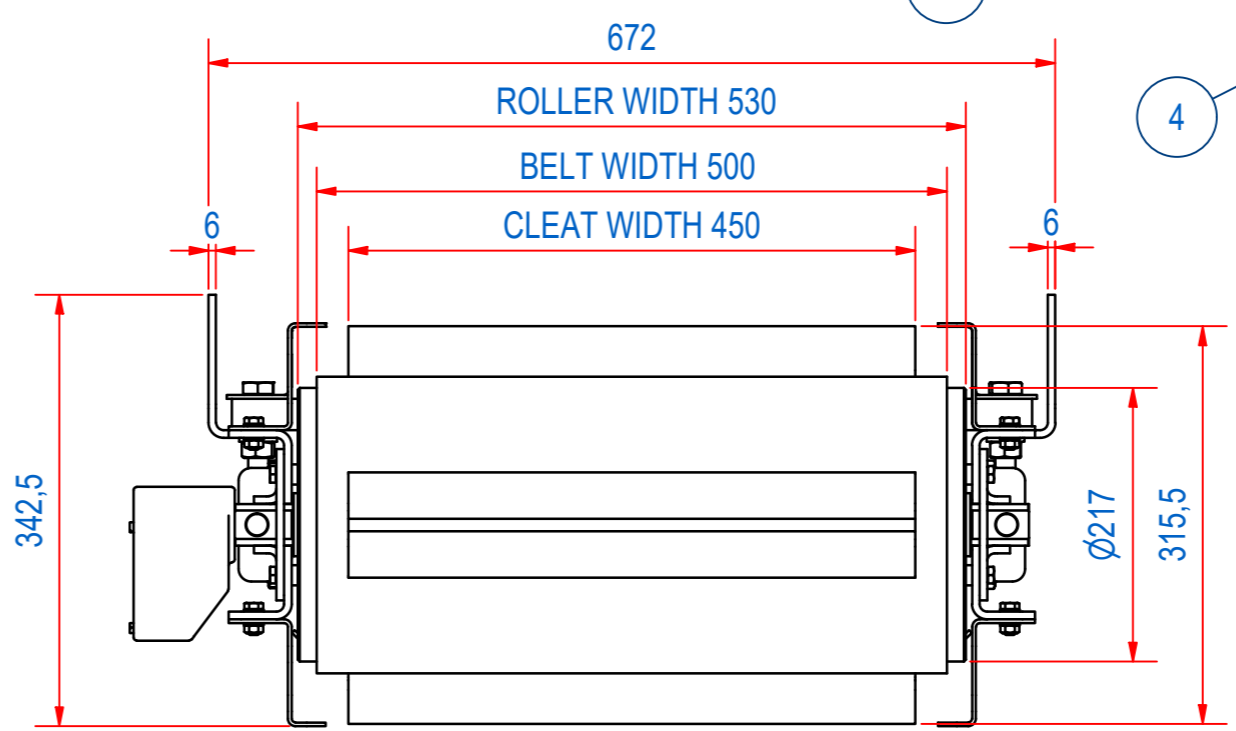
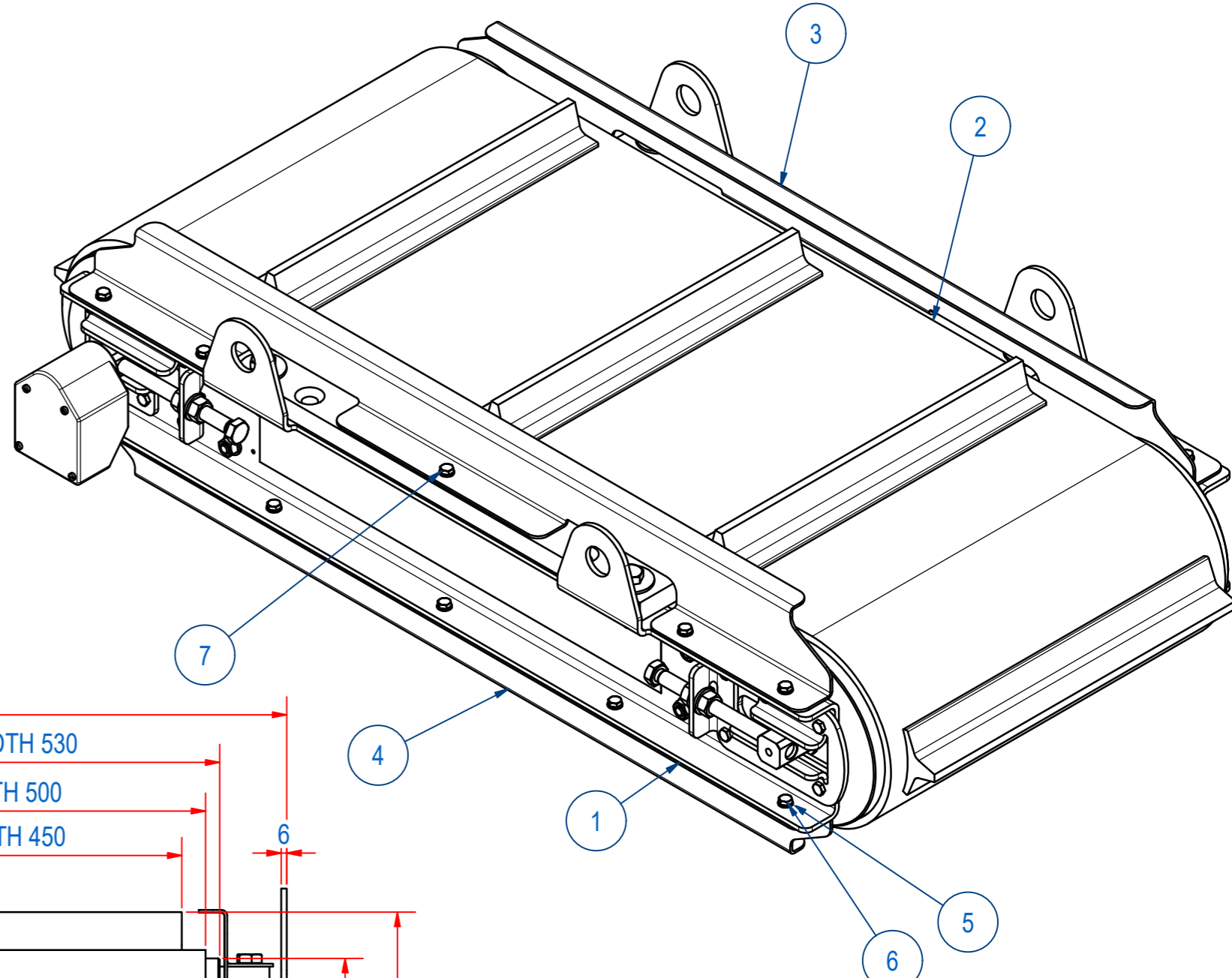


DOC.NR.	REV	DATE	BY	DESCRIPTION
SAPB060520	A	18-5-2020	TT	ADDED DATA PLATE AND WOODEN BOX
SAPB060520	B	20-5-2020	TT	CHANGED TRANSPORTATION BOX
SAPB060520	C	12-5-2021	TT	ADDED DIMENSIONS



DRIVE ROLLER: P=1,5 KW; i=4,7A; BELT SPEED 1,7 m/s;
 3x230/400V-50Hz
 BELT: EP 400/3 4+2 Y; LENGTH 2680; WIDTH 500;
 8 CLEATS T40/20x450
 TRANSPORTATION DIMENSIONS: 1500x850x600



ITEM	QTY	PART NUMBER	DESCRIPTION	Dimensions
11	1	E0132170	WOODEN BOX 1500x850x600 mm OSB	
10	1	E0131502	SAPB DATA PLATE	
9	2	E0120516	STICKER GOUDSMIT MAG. W600 BLACK	
8	20	60.0200008	NUT, HEX M8 - A2	M8
7	2	50.1208050	BOLT, HEX M8x50 - A2	M8x50
6	18	50.1208020	BOLT, HEX M8x20 - A2	M8x20
5	41	70.0200008	WASHER M 8- A2	M 8
4	2	E0130017	BELT COVER BOTTOM SAPB060520	
3	2	E0130018	BELT COVER TOP SAPB060520	
2	1	45.3050003	RUBBER BELT EP400/3-4+2	
1	1	E0130008	SUB ASSY SAPB060520 W. MAGNET	

RAW MAT.	Quantity	Material Number	Material Description	Length (mm)	Width (mm)
1	1				

Sheet: A2	Extra info:	General tolerance: ISO 2768 - mK
Drawn: tt	Weight (kg): 555	Drawn according: ISO268; ISO1101; ISO2553
Date: 13-3-2020		Status: Released
Spare part: False	Source:	Customer reference number:
Quick search: SAPB06		Document number: SAPB060520
Description: ROP-F1-C-060-M-D-L-B-B-B-NA		Doc.Rev: C
		Part number: SAPB060520
		Rev: C



© All rights reserved. Reproduction is not permitted without written permission of GOUDSMIT Magnetic Systems BV