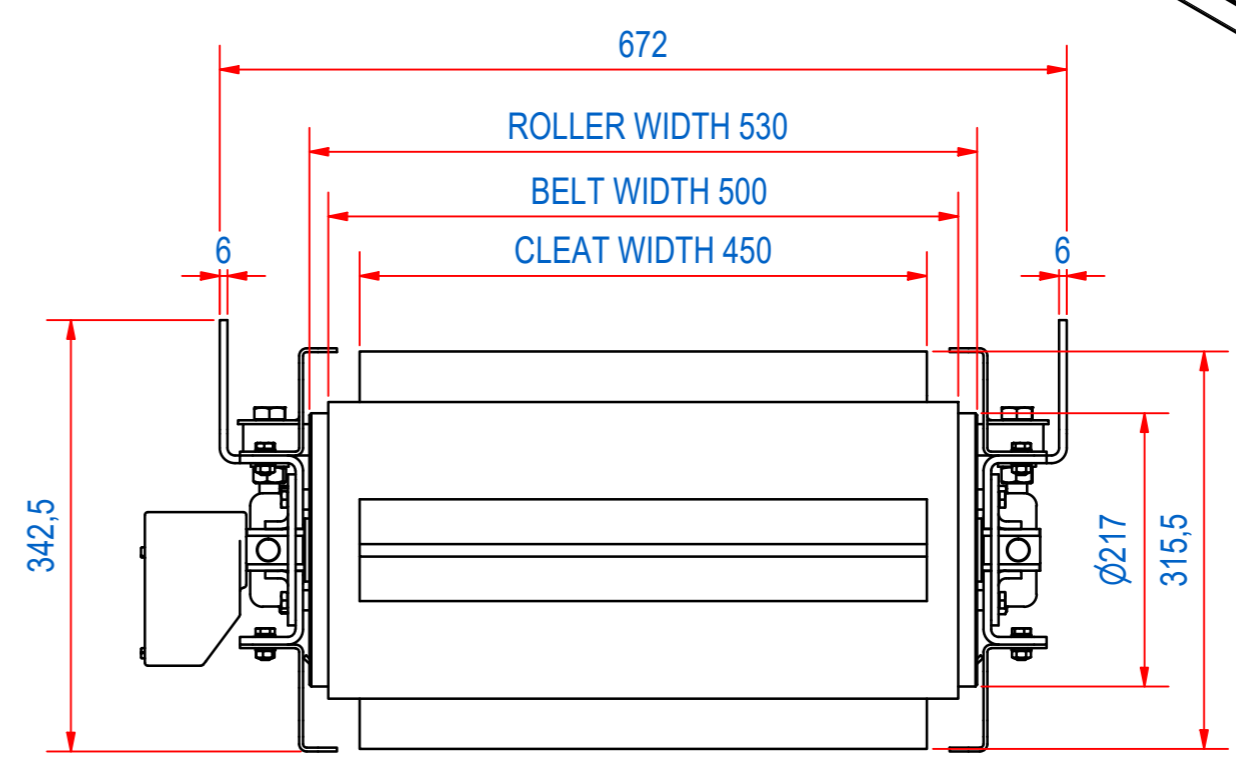
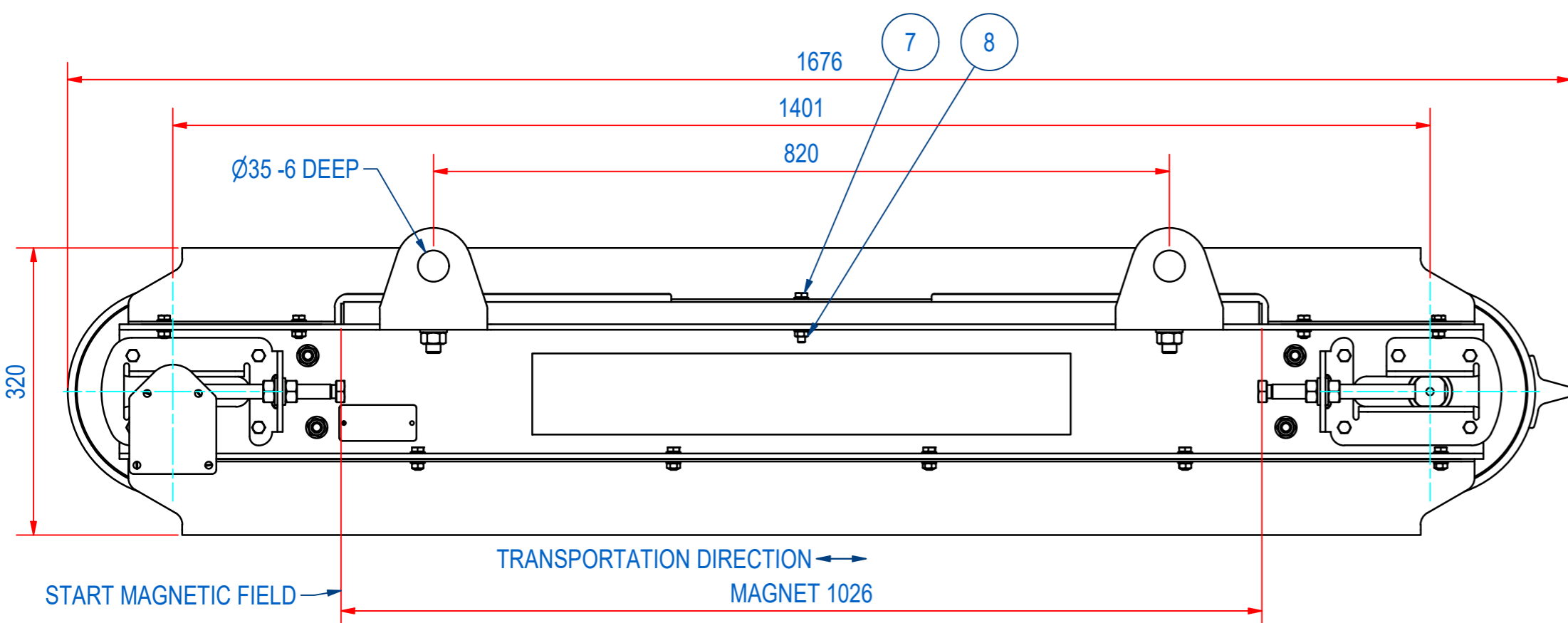
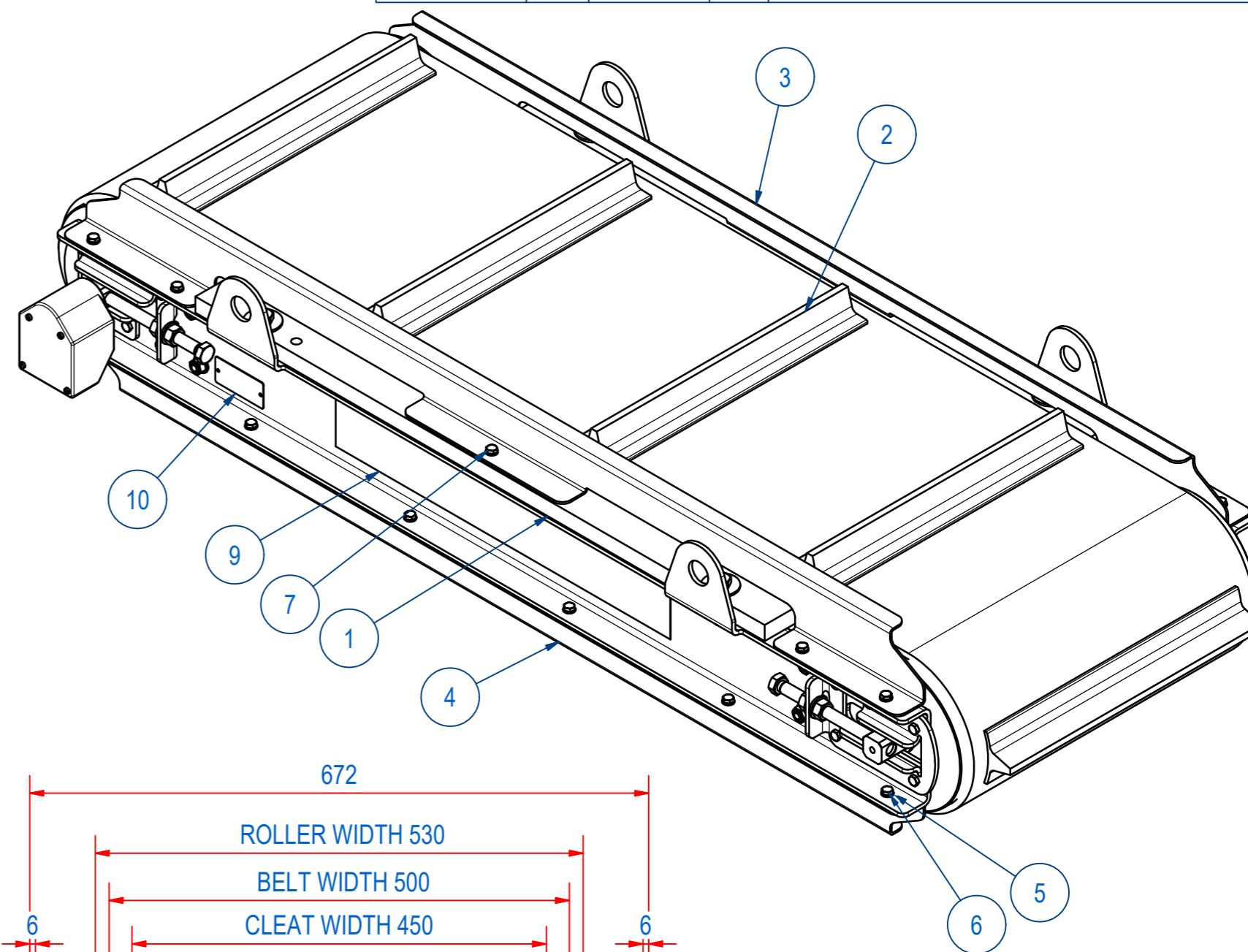
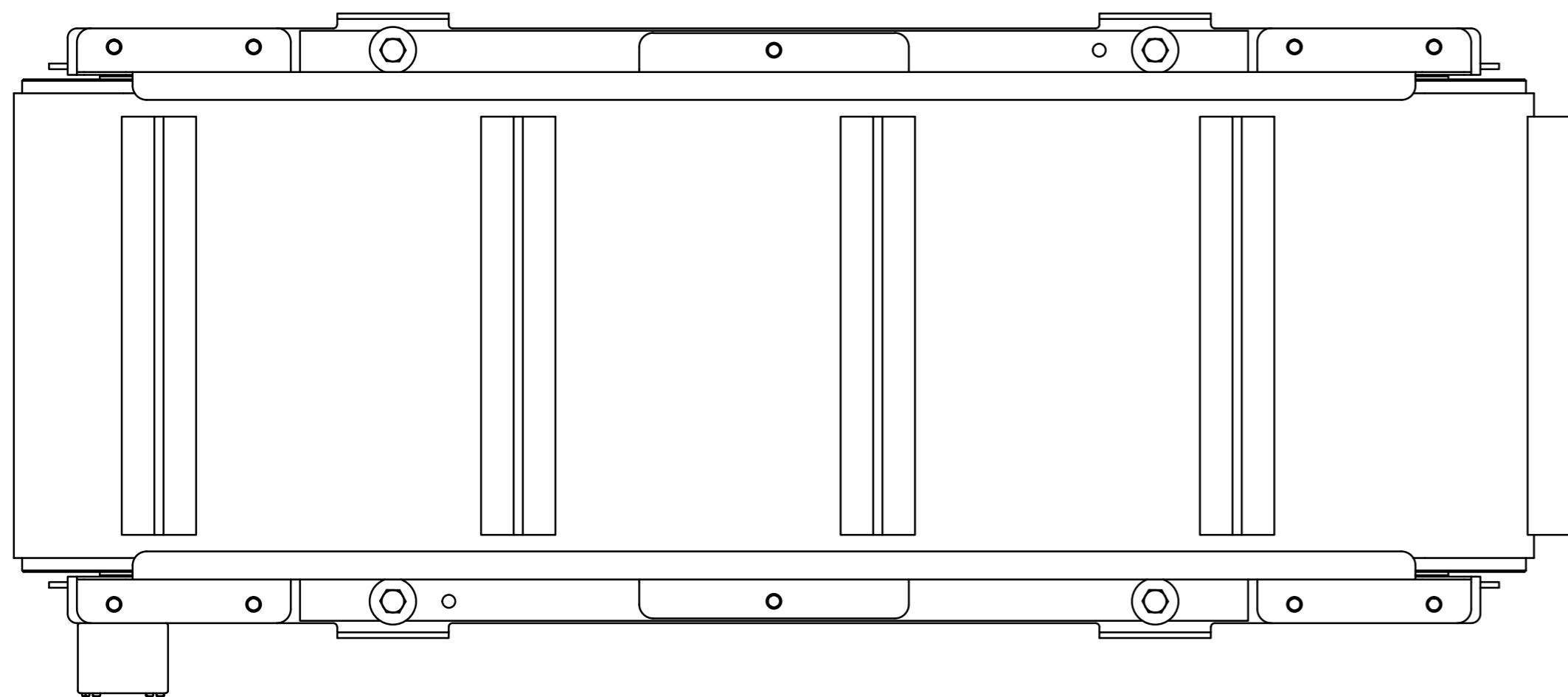
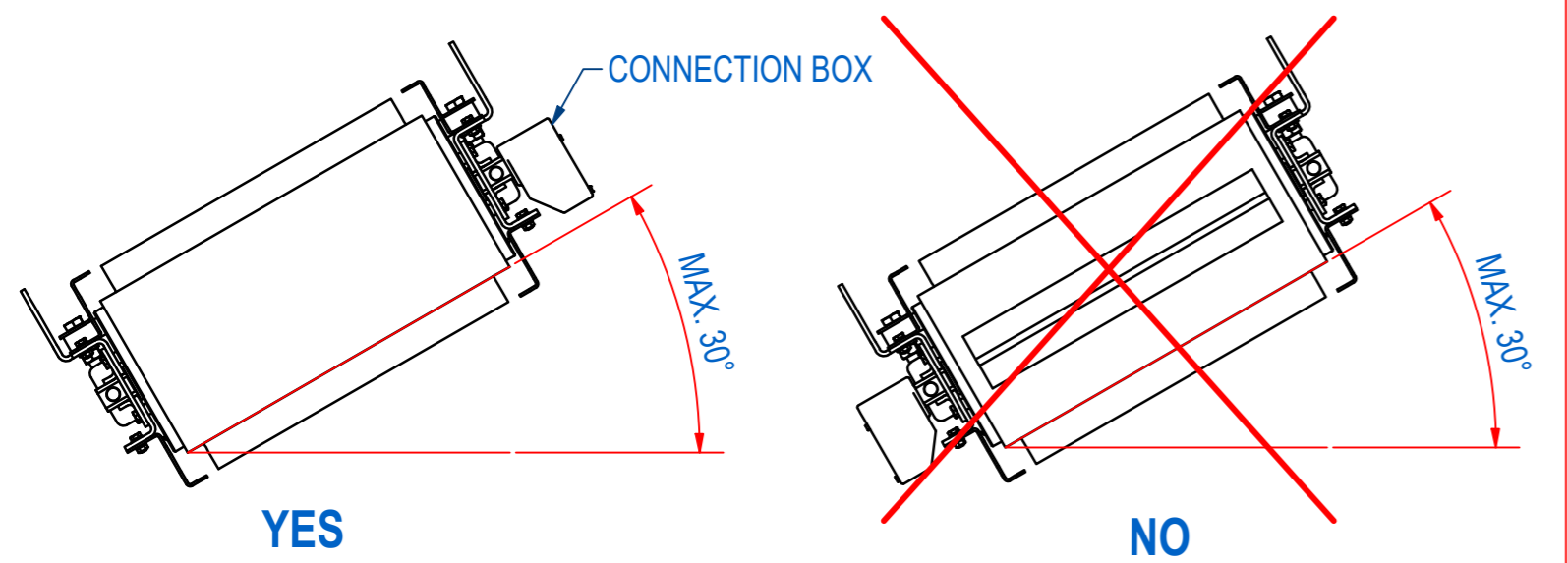


DOC.NR.	REV	DATE	BY	DESCRIPTION
SAPB100520	-	16-3-2020	TT	REFERENCE DRAWING SAPB080520
SAPB100520	A	20-5-2020	TT	ADDED TRANSPORTATION BOX
SAPB100520	B	12-5-2021	TT	ADDED DIMENSIONS



INSTALLATION DETAILS:
-ANGLE MAXIMAL 30°
-CONNECTION BOX ON TOP



DRIVE ROLLER: P=1,5 KW; i=4,7A; BELT SPEED 1,7 m/s;
3x230/400V-50Hz
BELT: EP 400/3 4+2 Y; LENGTH 3480; WIDTH 500;
9 CLEATS T40/20x450
TRANSPORTATION DIMENSIONS: 1900x850x600

ITEM	QTY	PART NUMBER	DESCRIPTION	Dimensions
11	1	E0132172	WOODEN BOX 1900x850x600 mm OSB	
10	1	E0131502	SAPB DATA PLATE	
9	2	E0120516	STICKER GOUDSMIT MAG. W600 BLACK	
8	22	60.0200008	NUT, HEX M8 - A2	M8
7	2	50.1208050	BOLT, HEX M8x50 - A2	M8x50
6	20	50.1208020	BOLT, HEX M8x20 - A2	M8x20
5	44	70.0200008	WASHER M 8- A2	M 8
4	2	E0130025	BELT COVER BOTTOM SAPB100520	
3	2	E0130023	BELT COVER TOP SAPB100520	
2	1	45.3050048	RUBBER BELT EP400/3-4+2	
1	1	E0130028	SUB ASSY SAPB100520 W. MAGNET	

RAW MAT.	Quantity	Material Number	Material Description	Length (mm)	Width (mm)
1	1				

Drawn: tt	Sheet: A2	Extra info:	General tolerance: ISO 2768 - mK
Date: 16-3-2020	Weight (kg): 775		Drawn according: ISO268; ISO1101; ISO2553
Spare part: False	Source:		Status: Released
Quick search: SAPB10	© All rights reserved. Reproduction is not permitted without written permission of GOUDSMIT Magnetic Systems BV		Customer reference number:
Description: ROP-F1-C-100-M-D-L-B-B-B-NA	Document number: SAPB100520		Doc.Rev: B
	Part number: SAPB100520		Rev: B