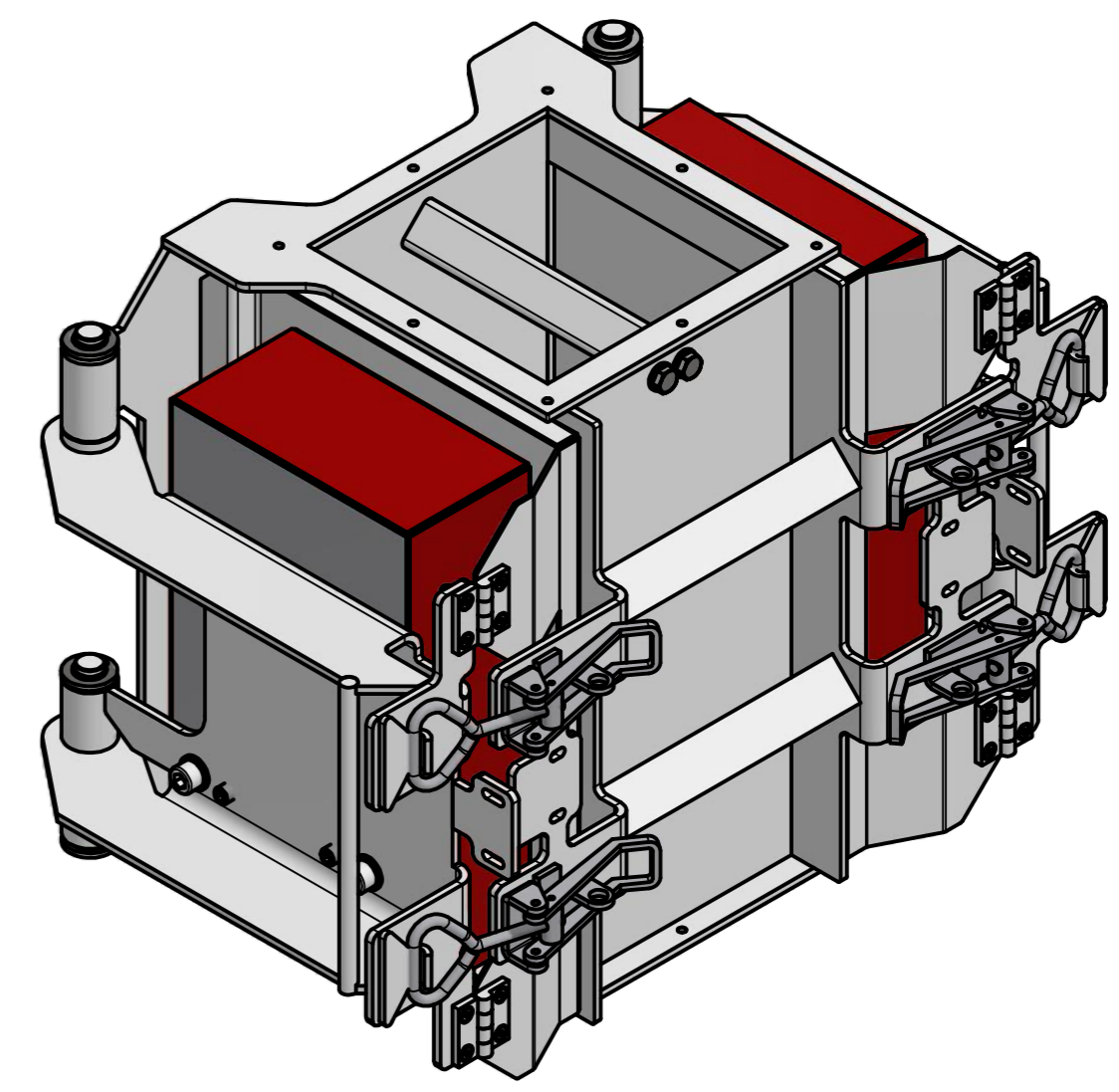
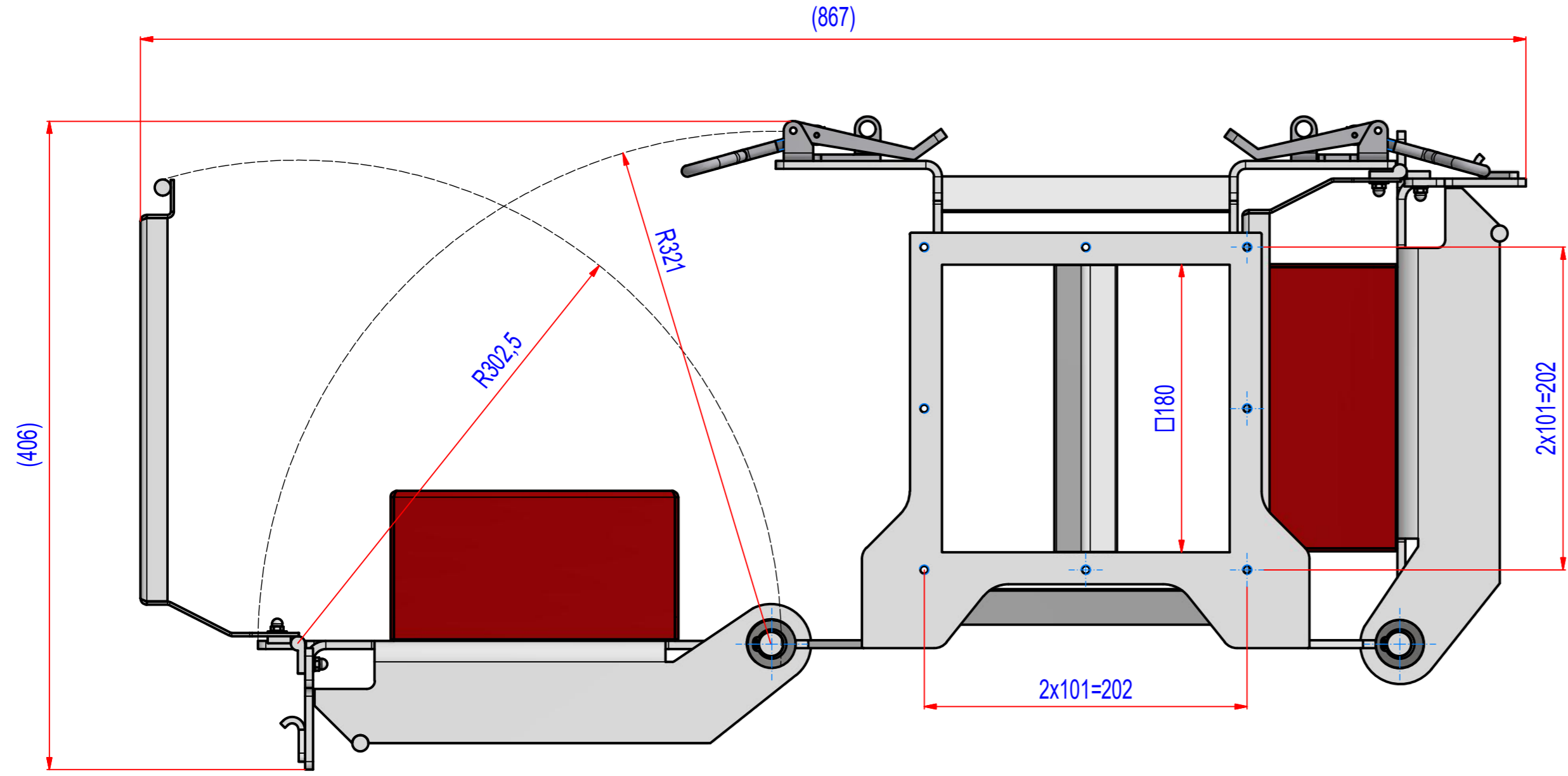
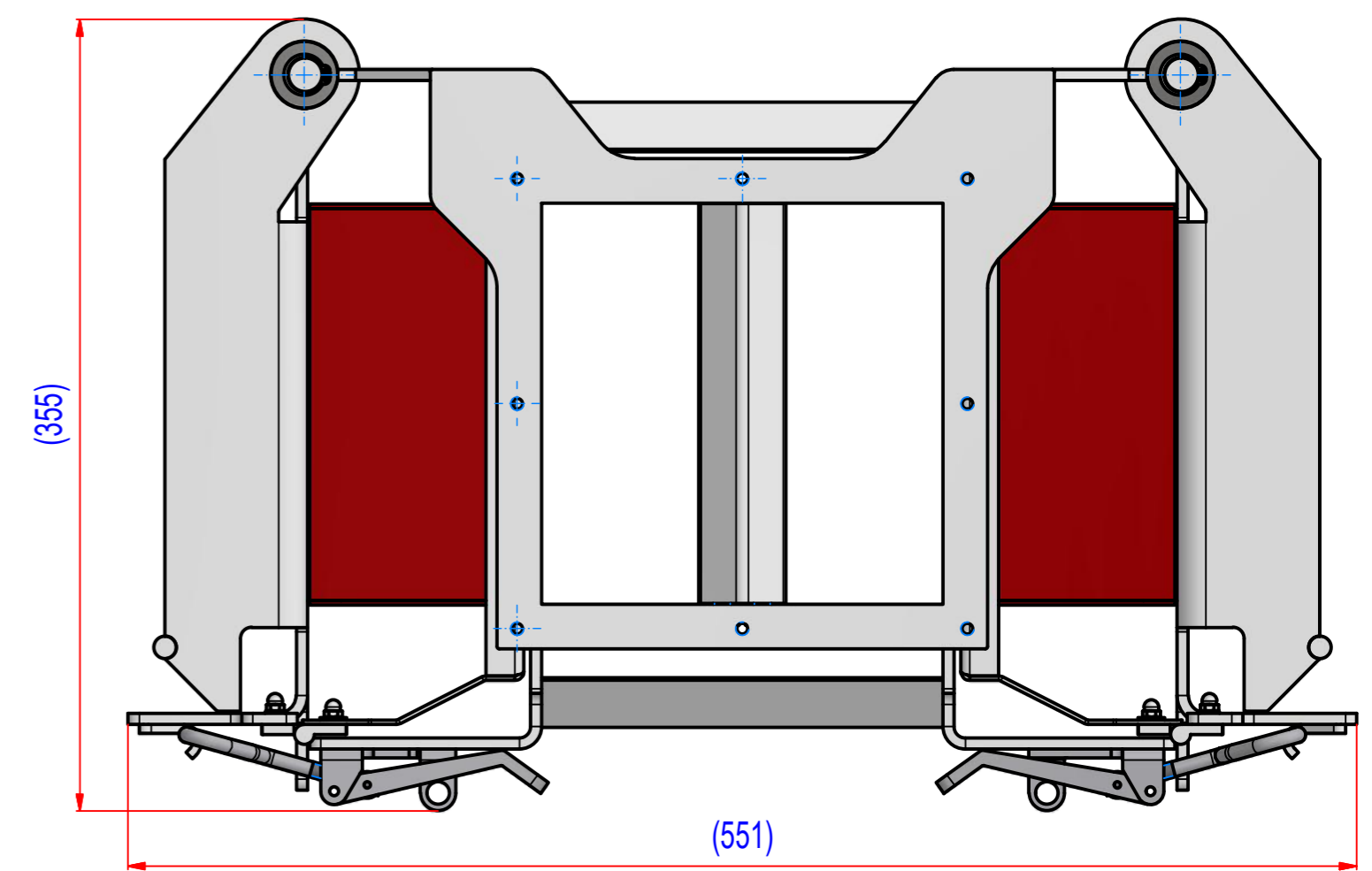
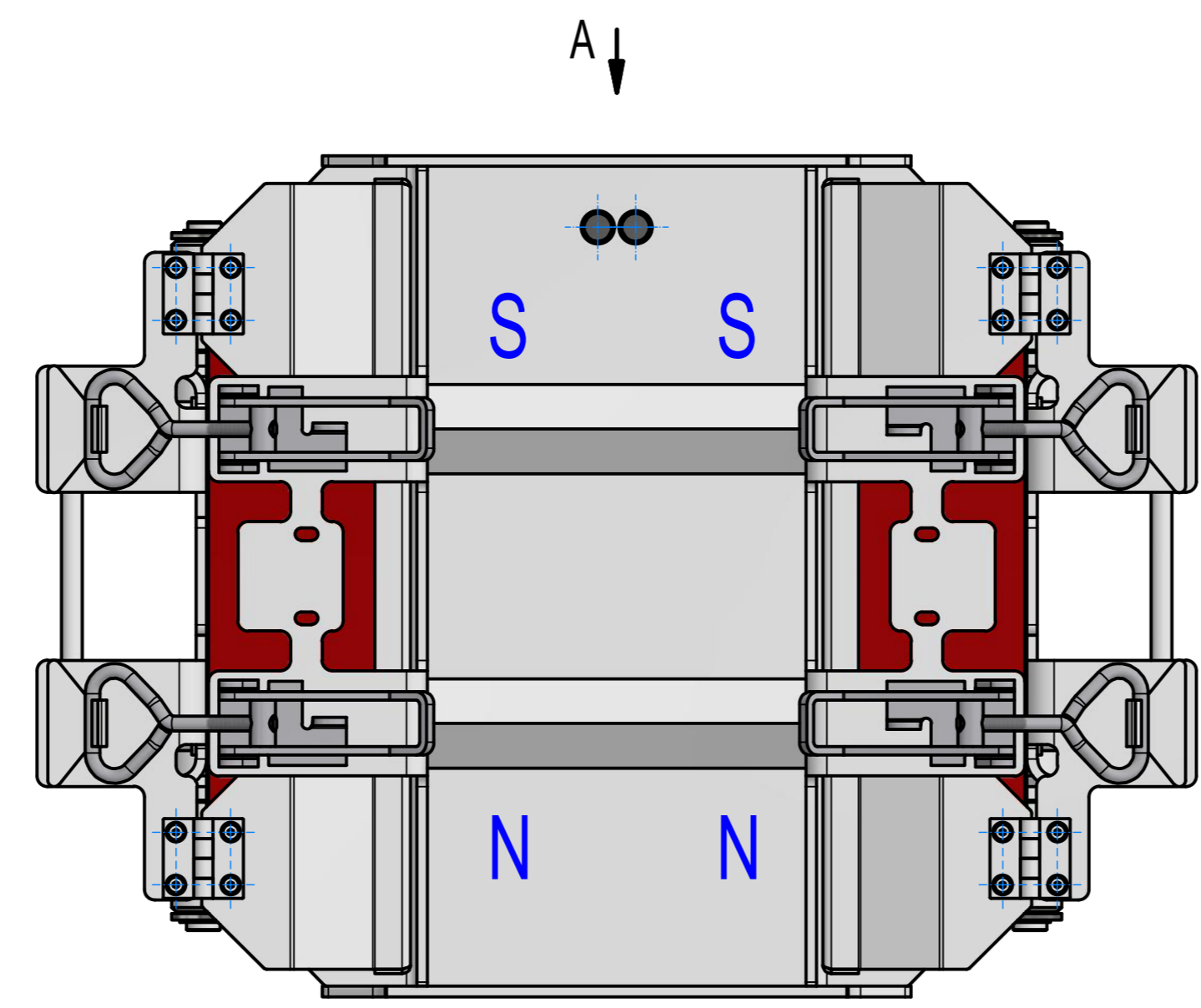
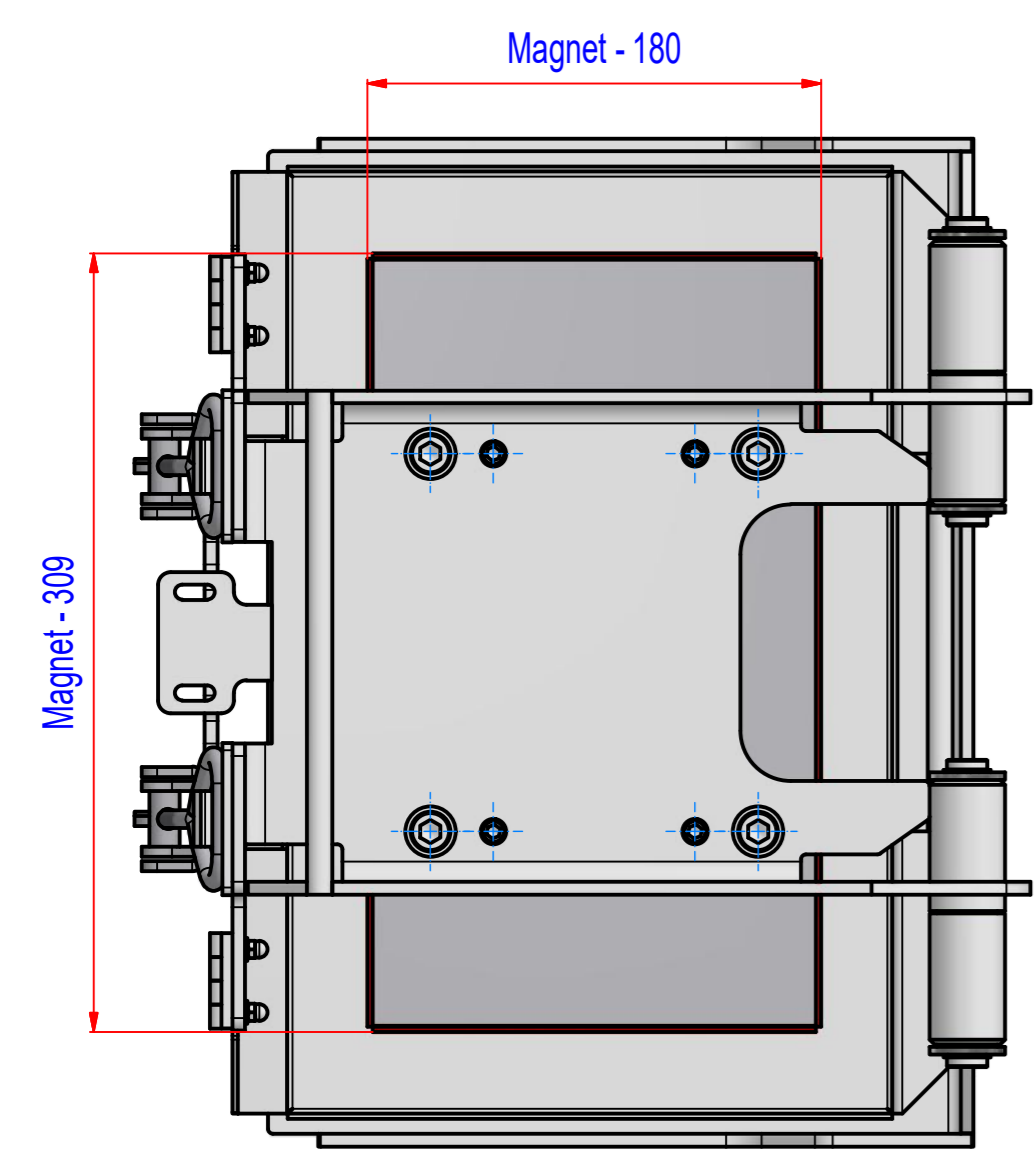


REV	DATE	BY	DESCRIPTION
-	26.08.2019	PW	New Vault, nothing changed, old rev.C



A (1:3)



1	A772_00000	SBPF180001	76,1
POZ./POS.	Č. SOUČÁSTI/ PART NUMBER	POPIS / DESCRIPTION	HMOT./ WEIGHT
APPROVAL PLEASE			
Date:	Order ref.:	Responsible person:	
Sheet: A2 Drawn: PW Weight (kg): 76,1 Date: 26.8.2019 Predecessor:	Extra info:	General tolerance: ISO 2768 - cL Drawn according: ISO268; ISO1101; ISO2553 Status:	
Quick search:	 <small>© All rights reserved. Reproduction is not permitted without written permission of GOUDSMIT Magnetic Systems BV</small>		Customer reference number:
Description:	Product key:		Rev:
External pole magnet, Ferrite, 180	SBP-1818-F-F1B-B-B		-
	Part number:		
	SBPF180001		