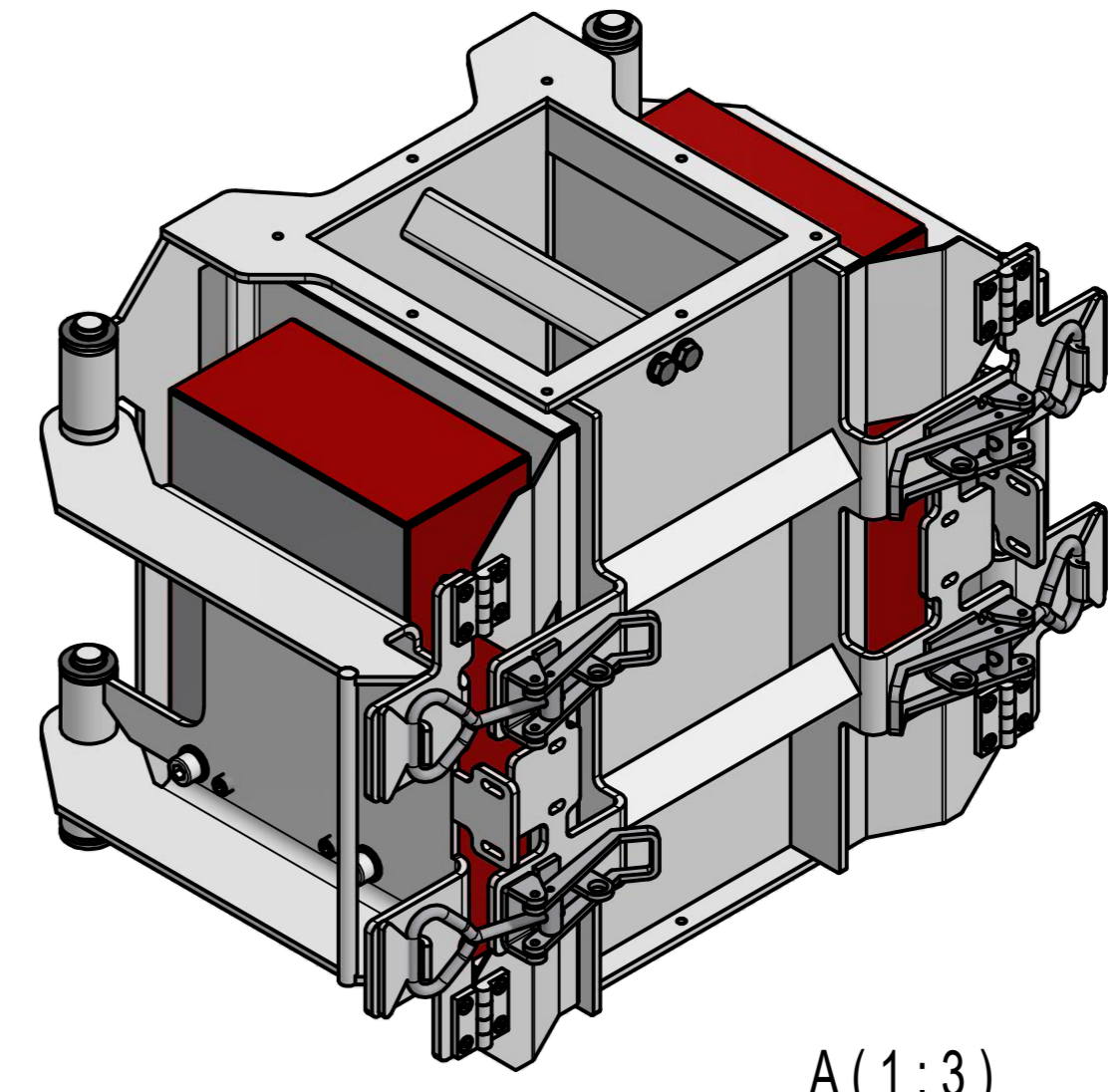
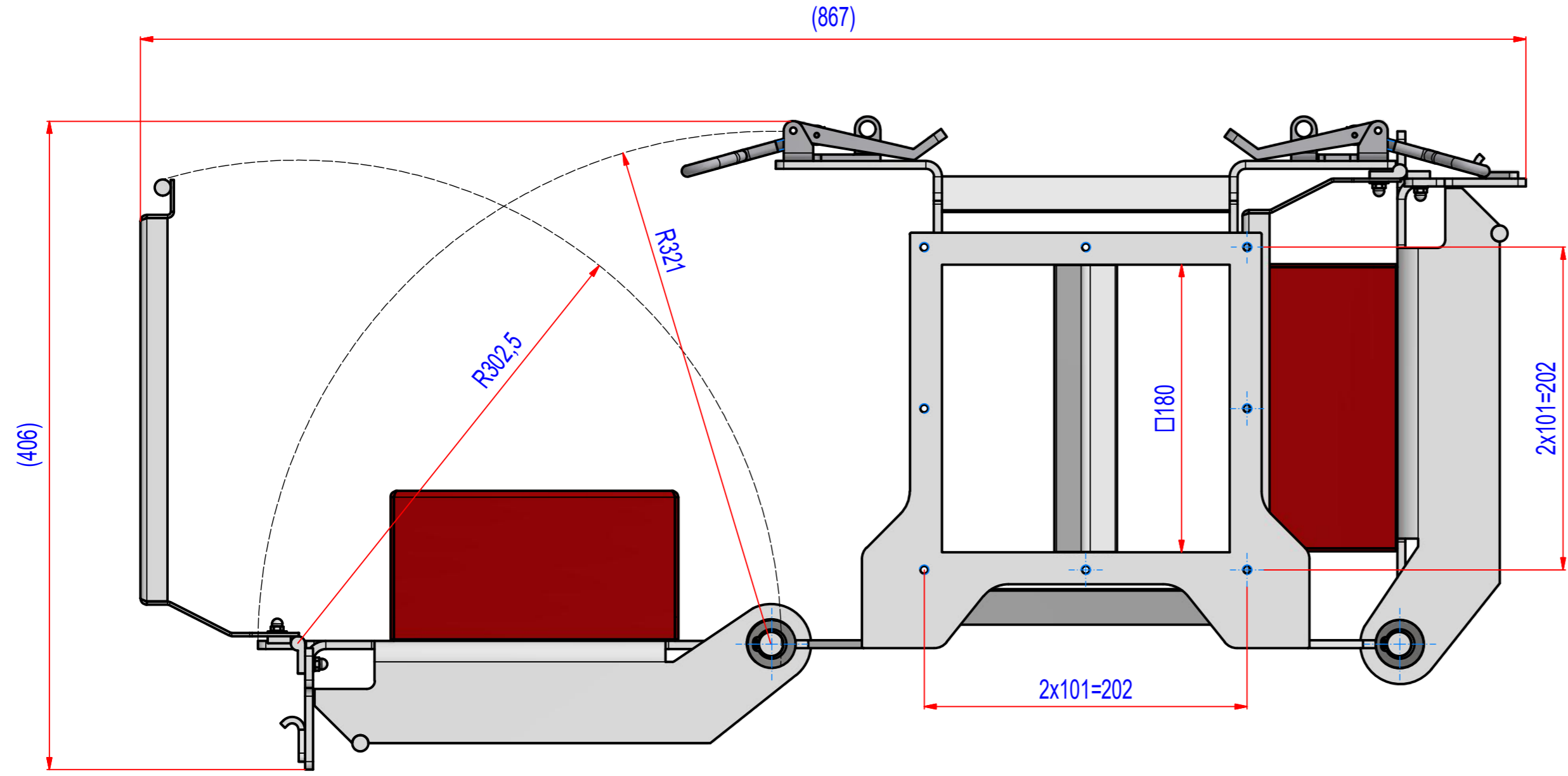
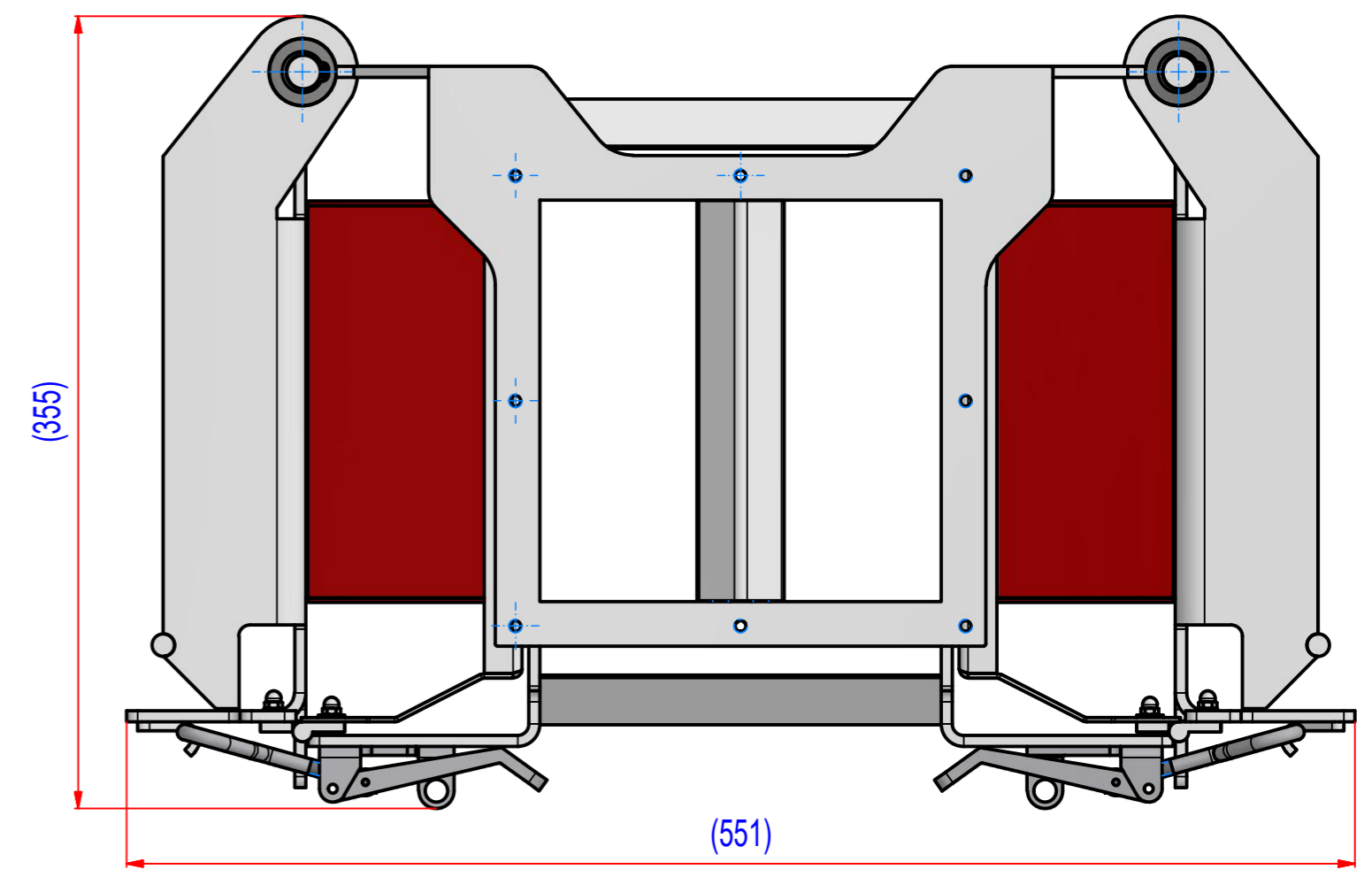
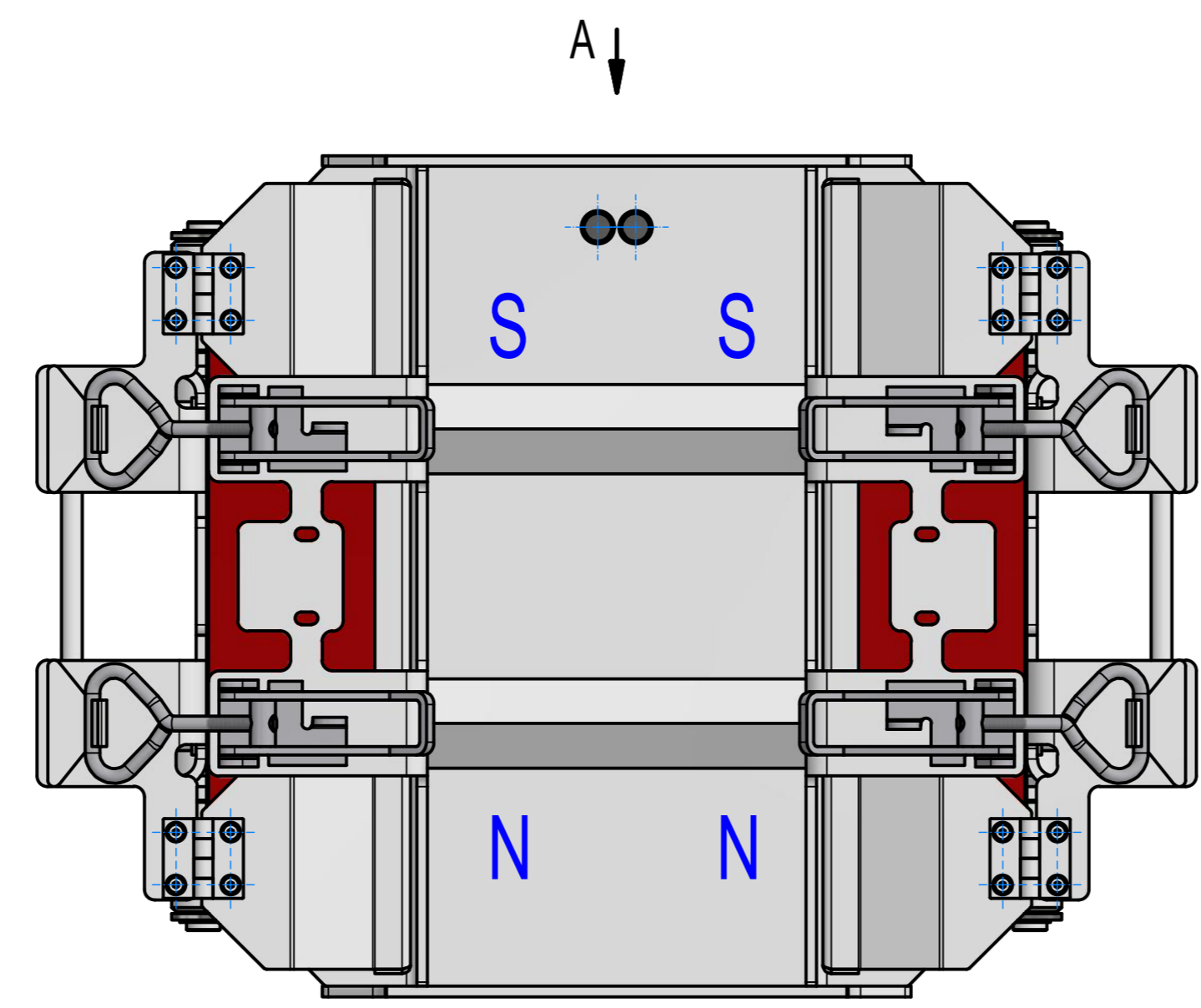
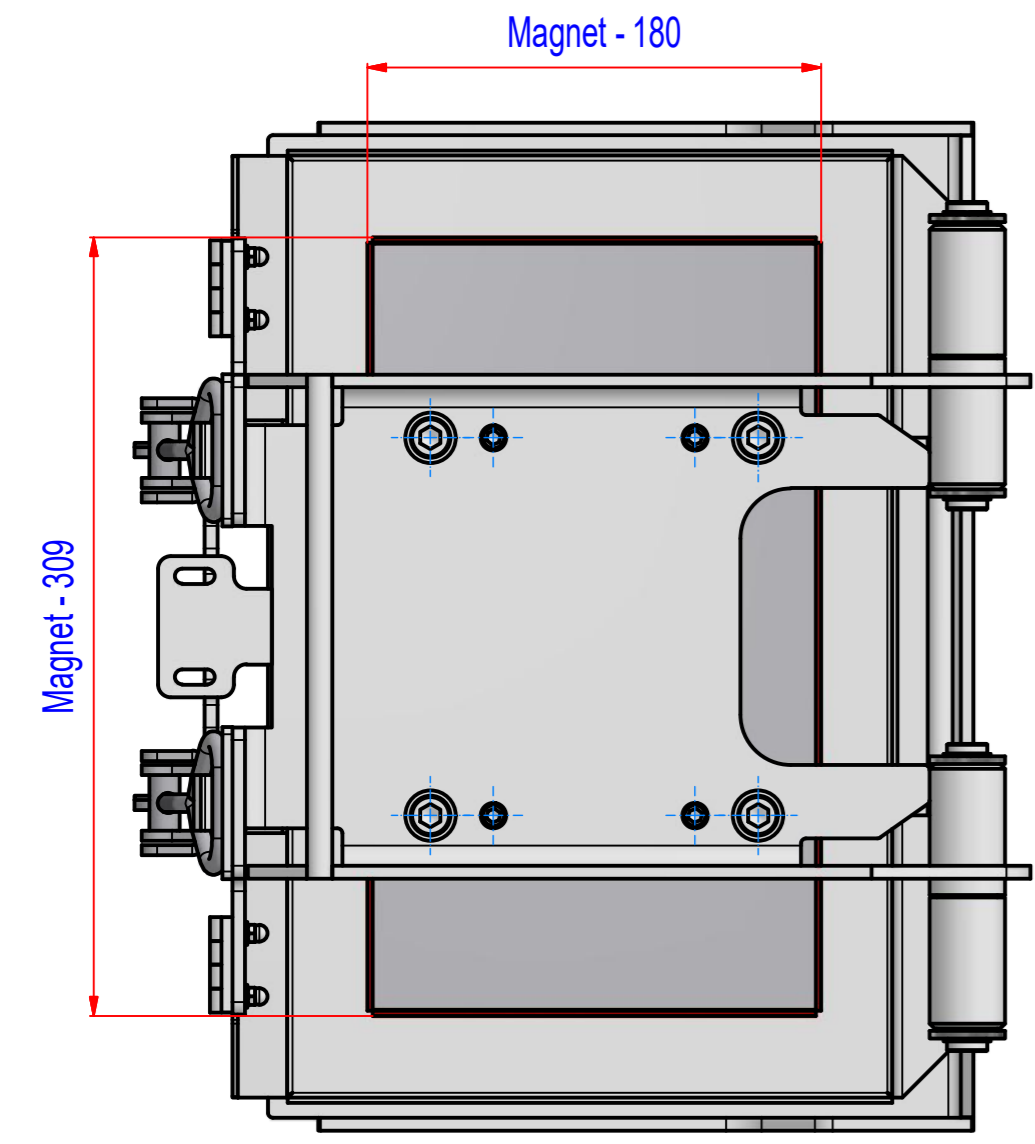


REV	DATE	BY	DESCRIPTION
-	26.08.2019	PW	New Vault, nothing changed, old rev.C



A (1:3)



POZ.	Č. SOUČÁSTI	POPIS	MATERIÁL	HMOT.	MN.
6	1216_00051	Hinge Scharnier 38 - SS		0,1	4
5	15_9000045	Bearing MFM-1618-12	Plast S	0	8
4	A50_000001	Hinge pin BP180	AISI304	0,2	4
3	A81_000000	SEVM060460		23,3	2
2	A80_030000_B	Extractor BP #180	AISI304	2,2	2
1	A80_010400_B	Deflector	AISI304	0,4	1

Sheet: A2 Drawn: PW Date: 26.8.2019 Predecessor:	Extra info: GOUDSMIT MAGNETICS © All rights reserved. Reproduction is not permitted without written permission of GOUDSMIT Magnetic Systems BV	General tolerance: ISO 2768 - cL Drawn according: ISO268; ISO1101; ISO2553 Status: Customer reference number: Product key: SBP-1818-F-1B-B-B Part number: SBPF180001_SP Rev: -
Description: Spare parts for SBPF180001		