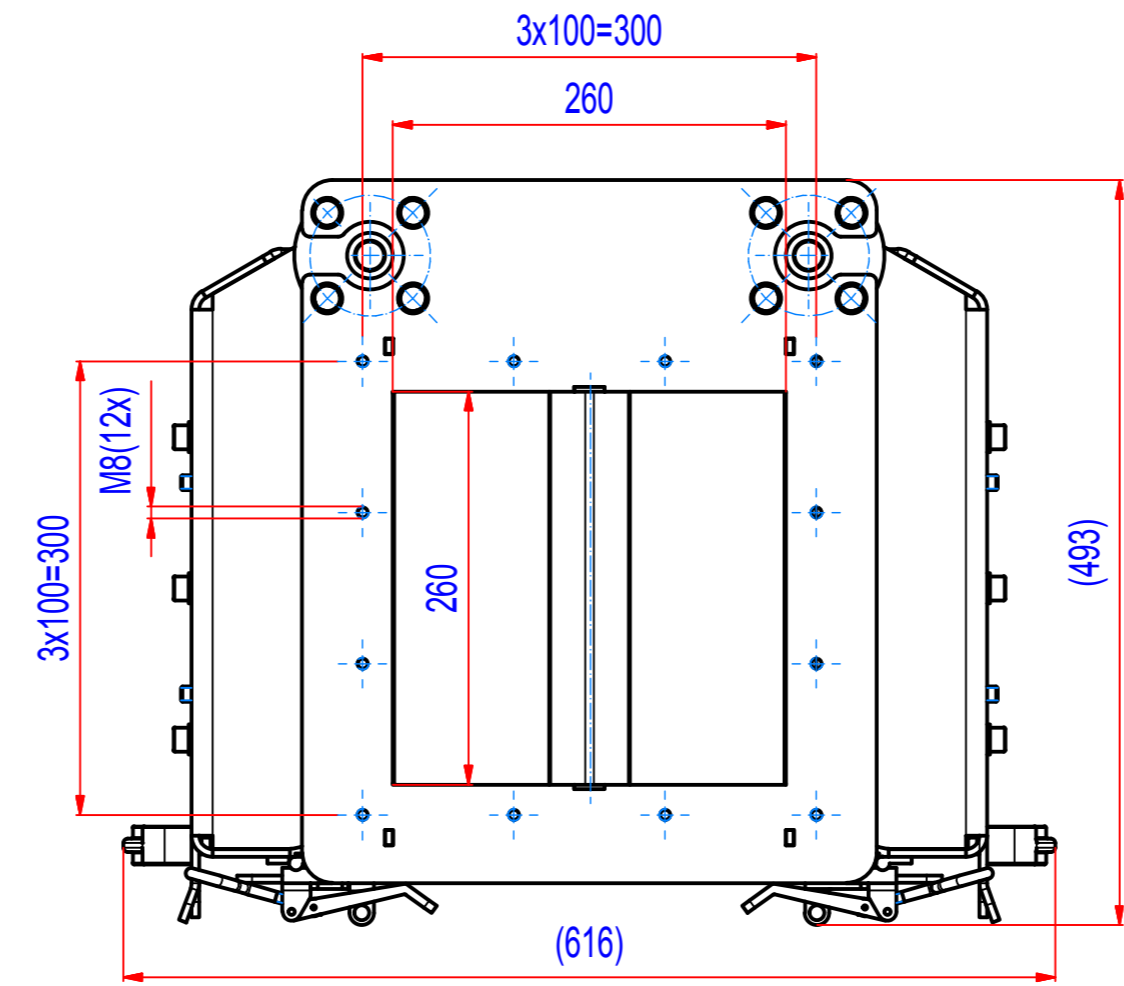
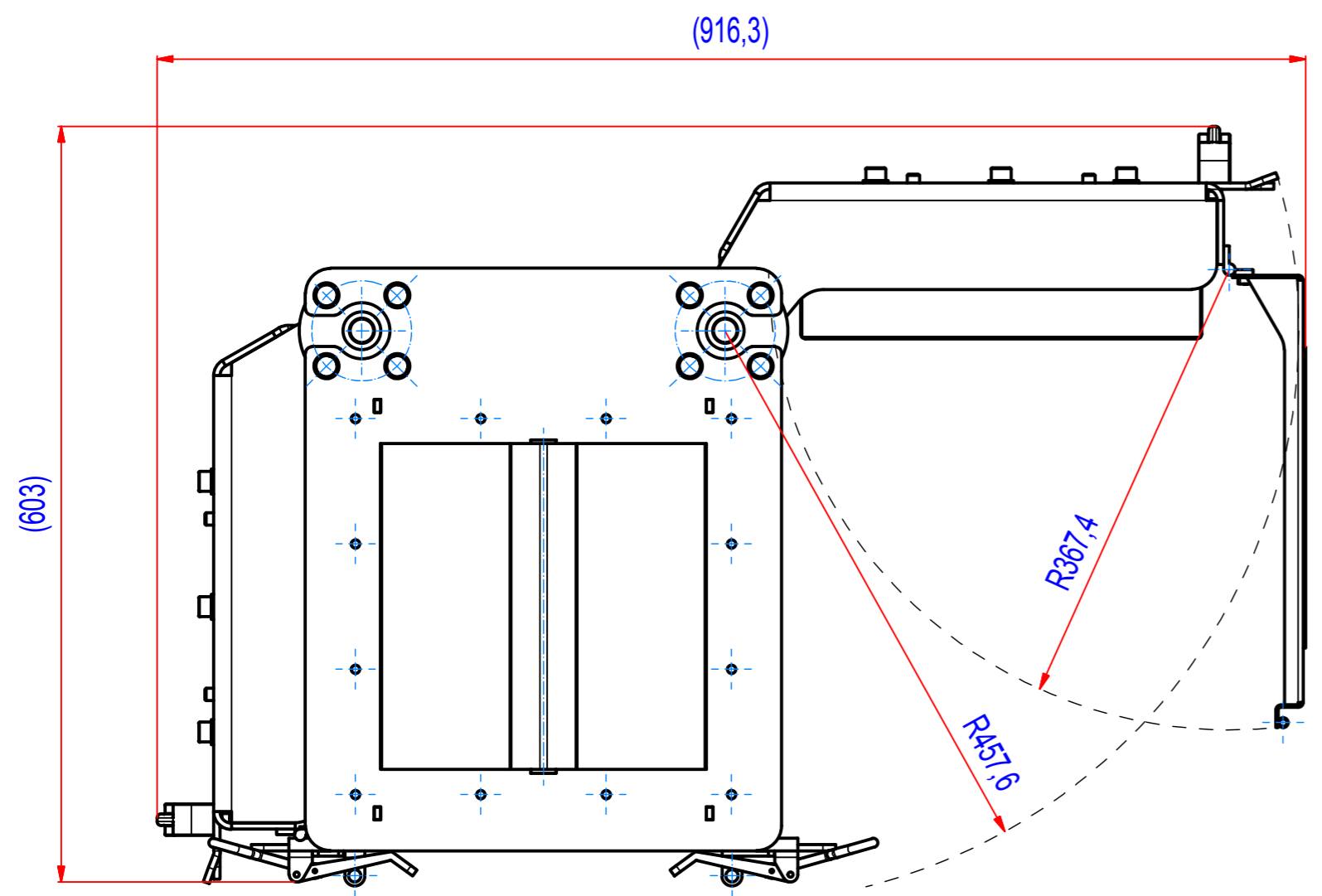
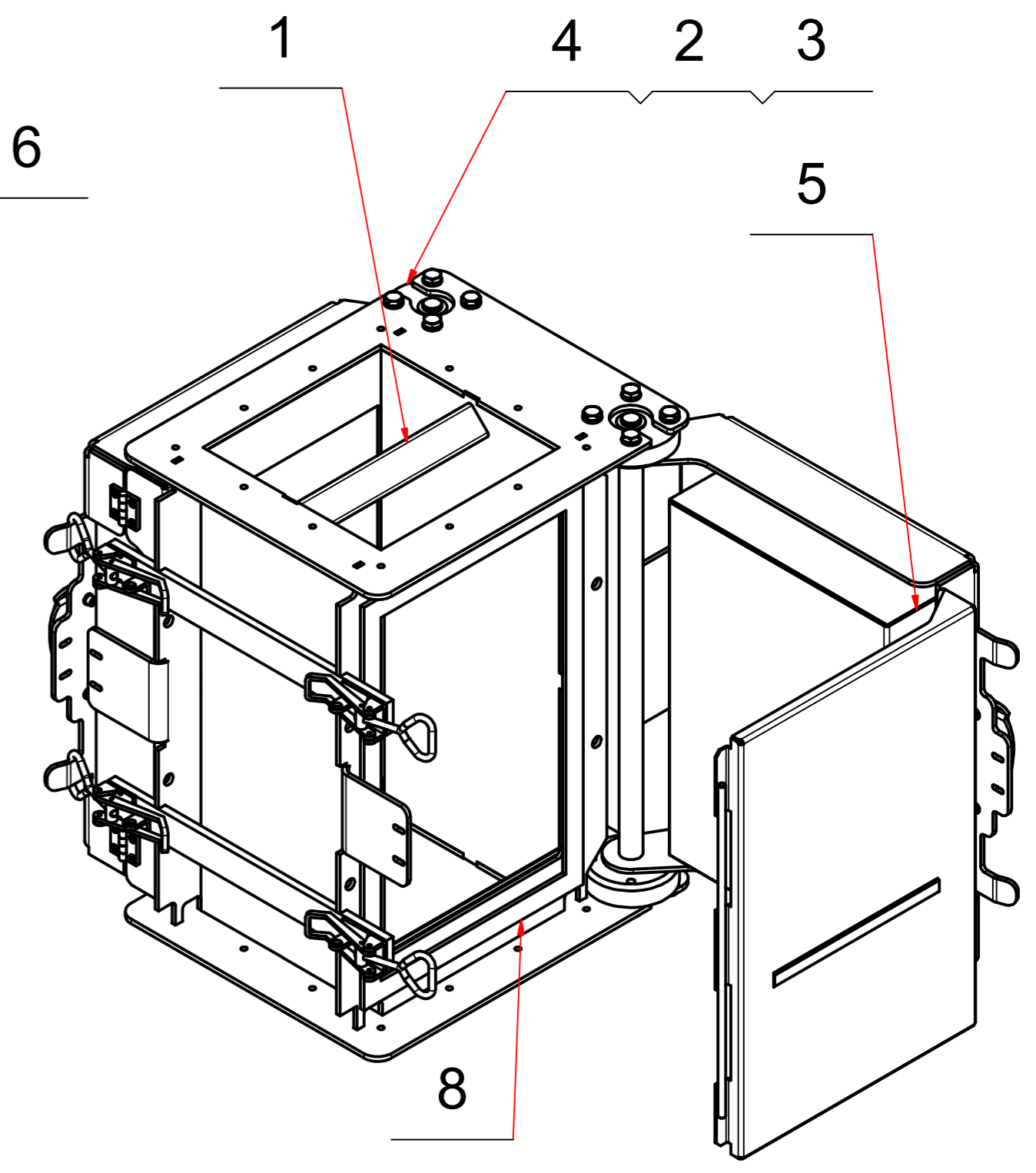
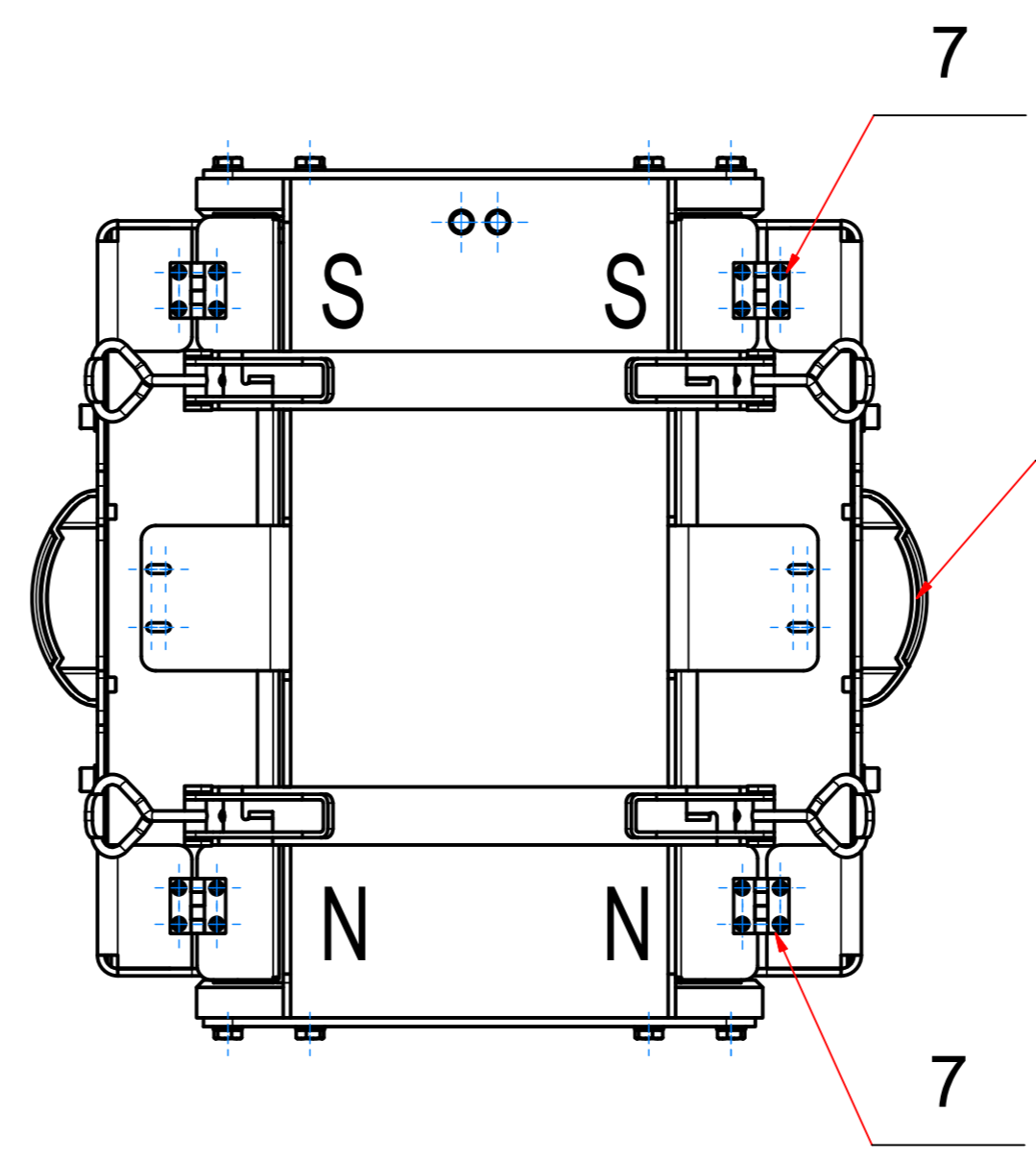
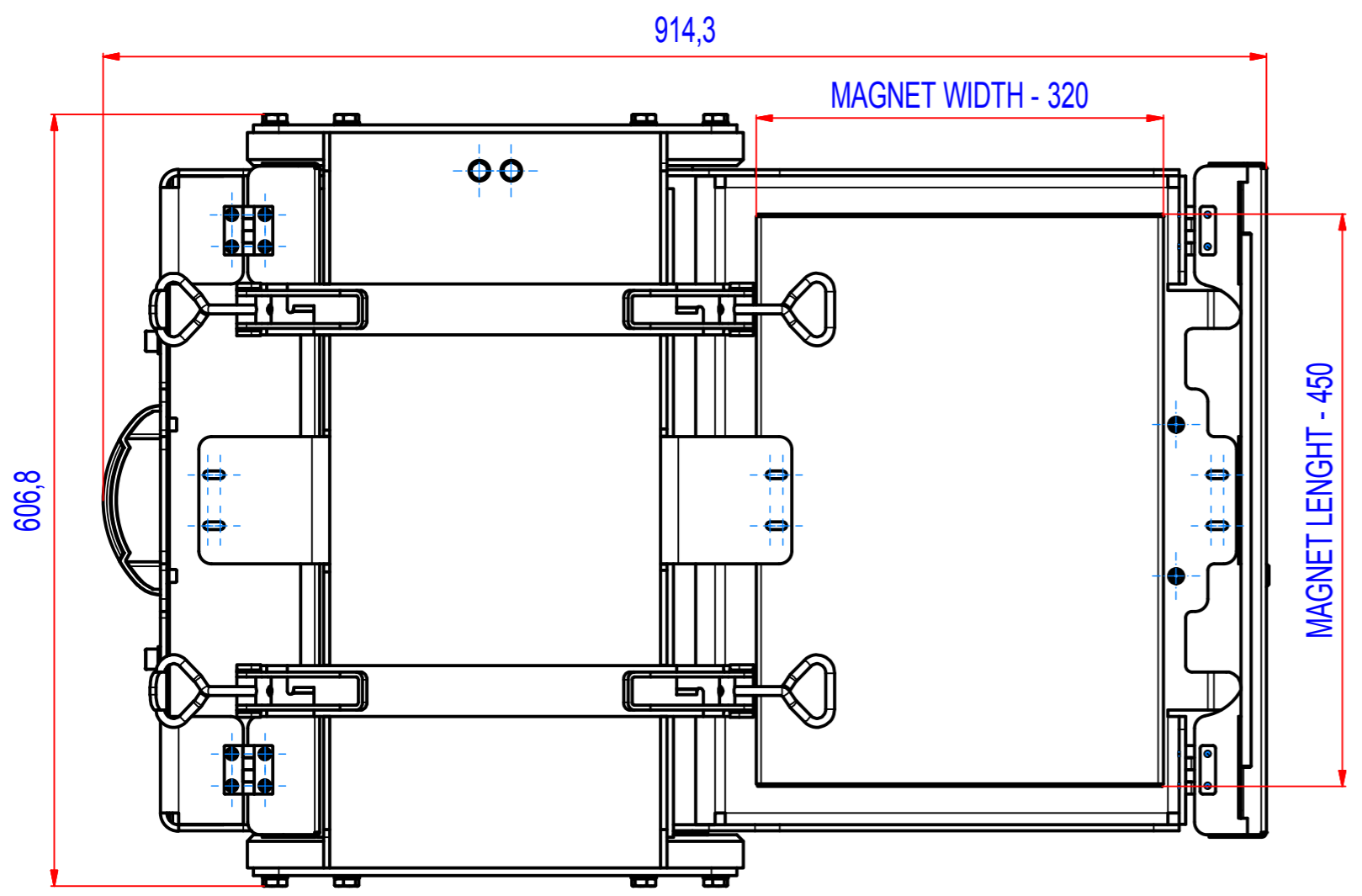


REV	BY	DATE	DESCRIPTION
-	PW	14.09.2017	New Vault, nothing changed, old rev.F



POZ.	Č. SOUČÁSTI	POPIS	MATERIÁL	HMOT.	MN.
8	A063_000001	Band 25x5, L=1560	Silikon	0,2	2
7	1216_00051	Hinge Scharnier 38 - SS		0,1	4
6	1005_10004	Handle NOX 6911-11906	Plast S	0	2
5	A31_000000	Plate magnet SEVM060760		82	2
4	A30_050001	Bush igus SAM-20	AISI304	1,4	4
3	15_9000058	Bearing iglidur GFM-2023-21	Plast S	0	4
2	15_9000055	Bearing axial iglubal SAM-20	Plast S	0,1	2
1	A30_010200	Deflector	AISI304	0,8	1

Sheet: <b>A2</b> Drawn: <b>PW</b> Date: <b>14.09.2017</b> Predecessor:	Extra info:  © All rights reserved. Reproduction is not permitted without written permission of GOUDSMIT Magnetic Systems BV.	General tolerance: <b>ISO 2768 - cL</b> Drawn according: <b>ISO268; ISO1101; ISO2553</b> Status: Customer reference number: Product key: <b>SBP-2626-F-F1B-B-B</b> Part number: <b>SBPF260001_SP</b> Rev:
Quick search: <b>XSBP 260</b> Description: <b>Spare parts for SBPF260001</b>		