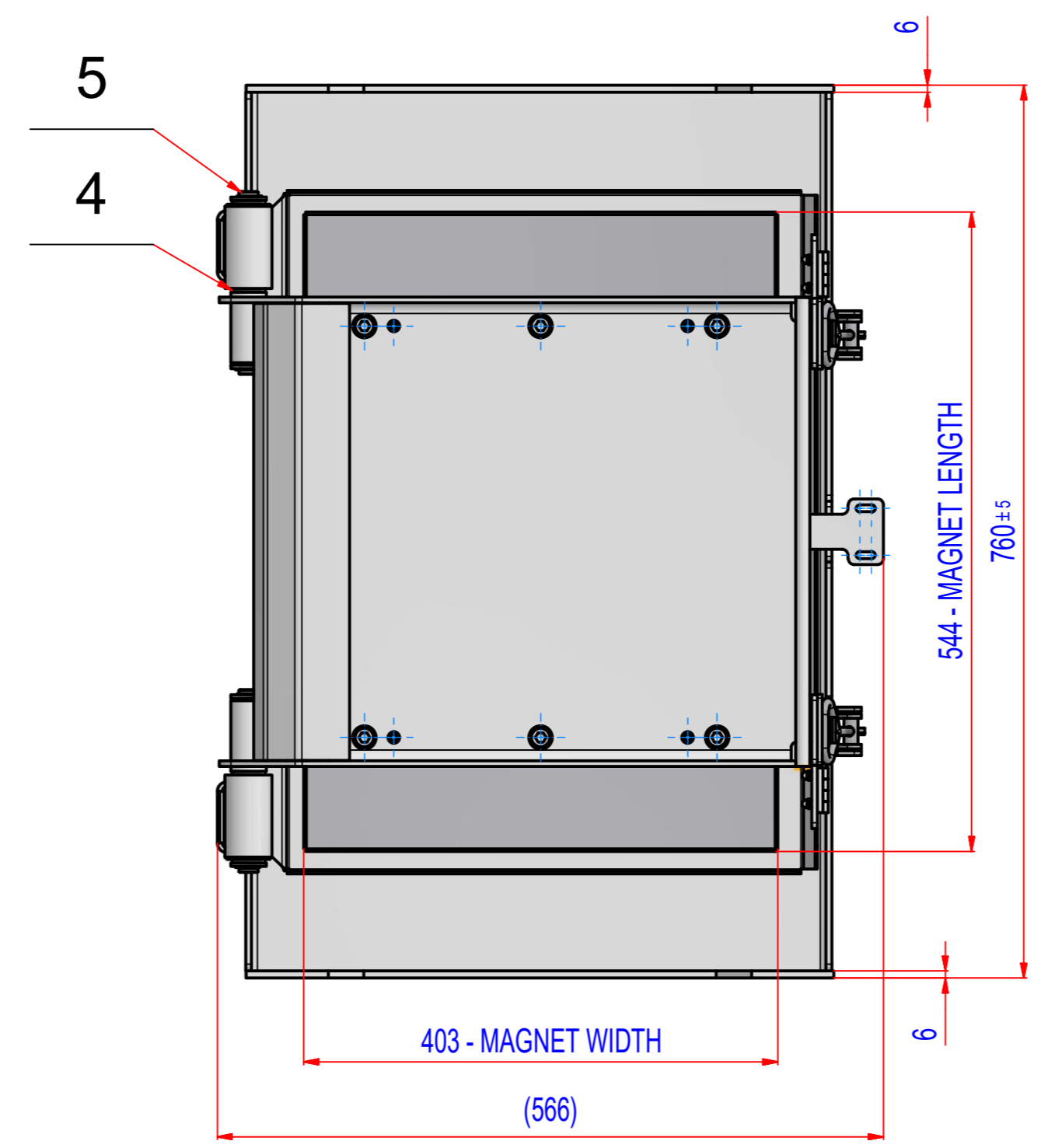
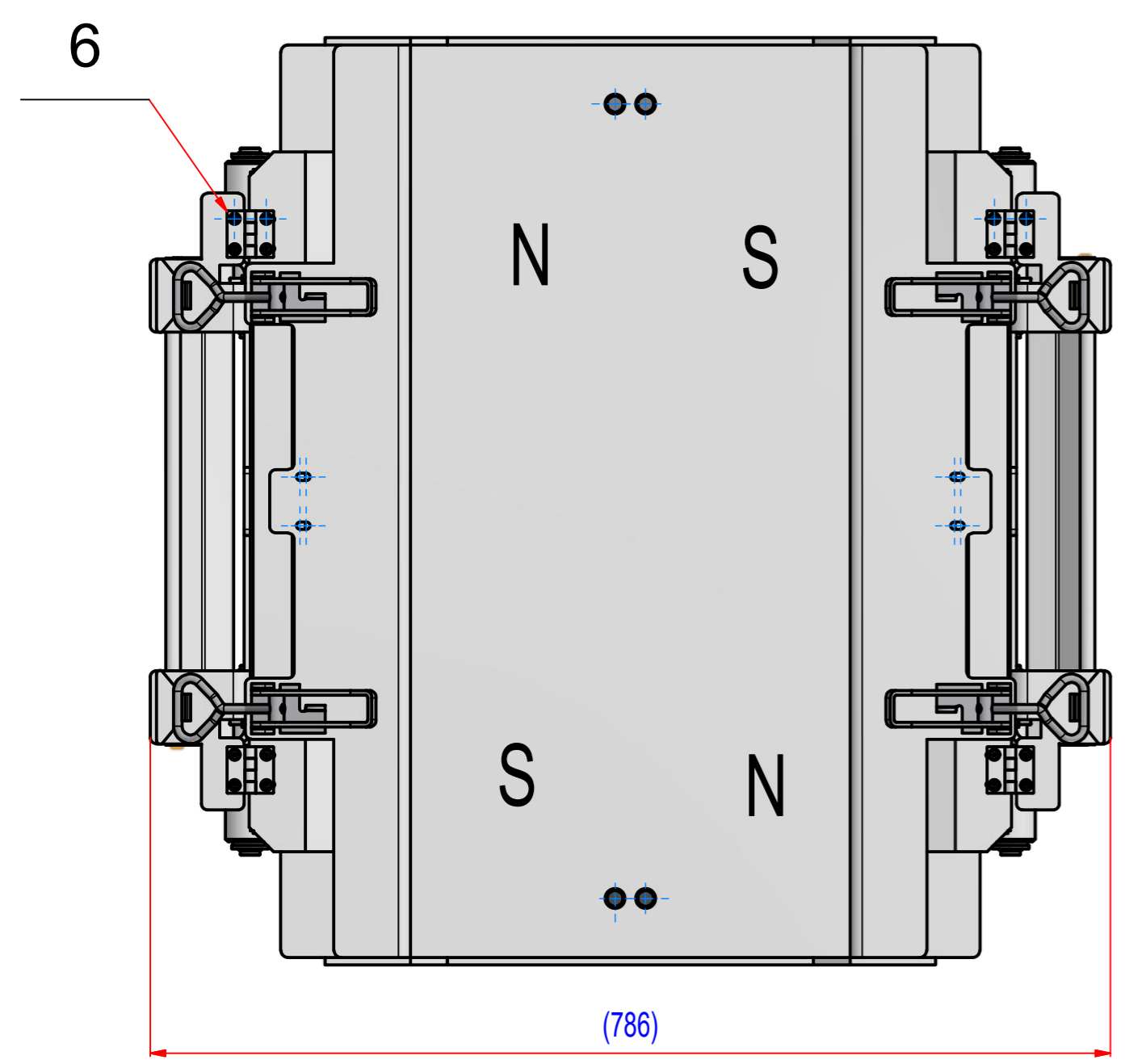
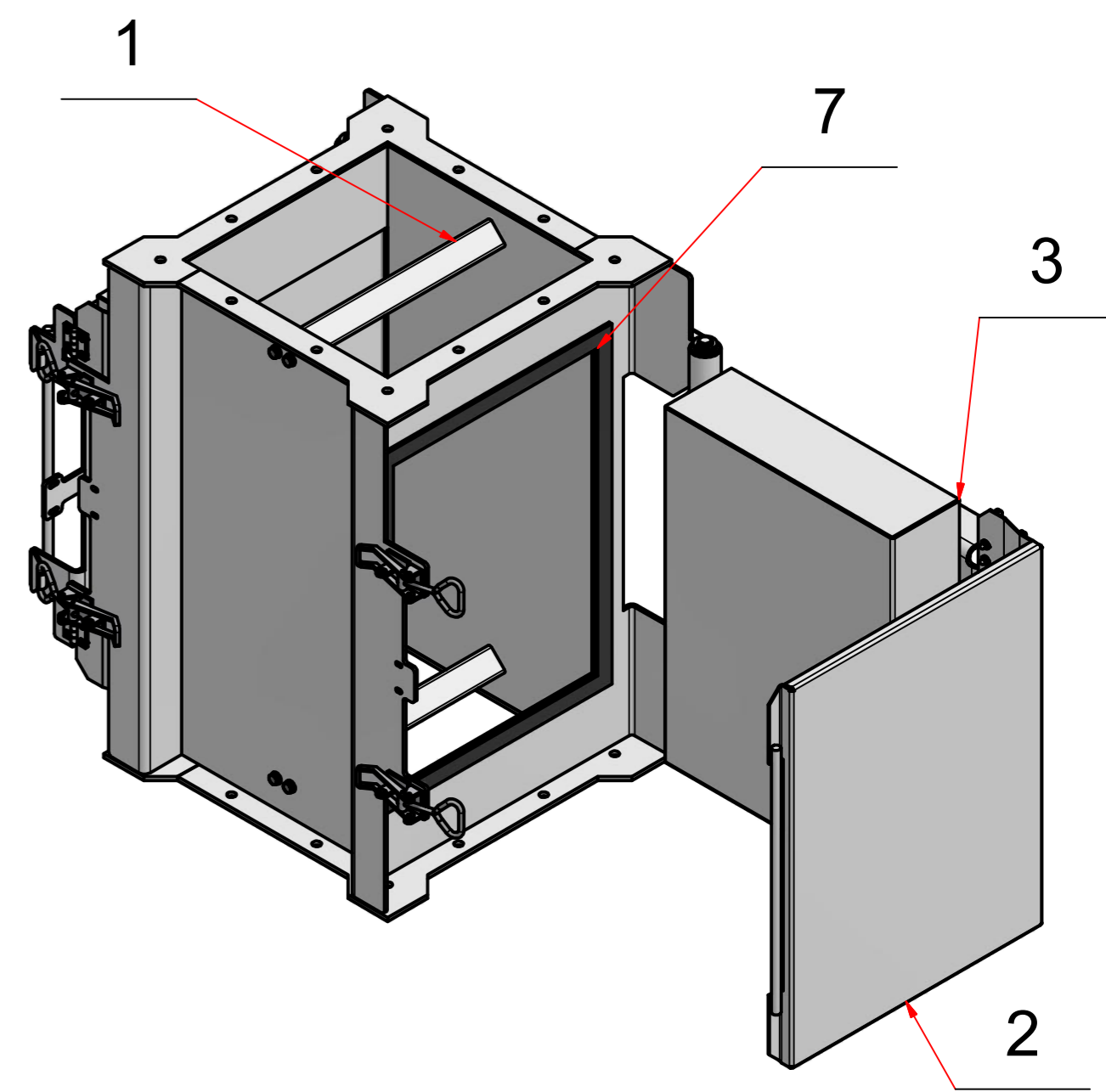
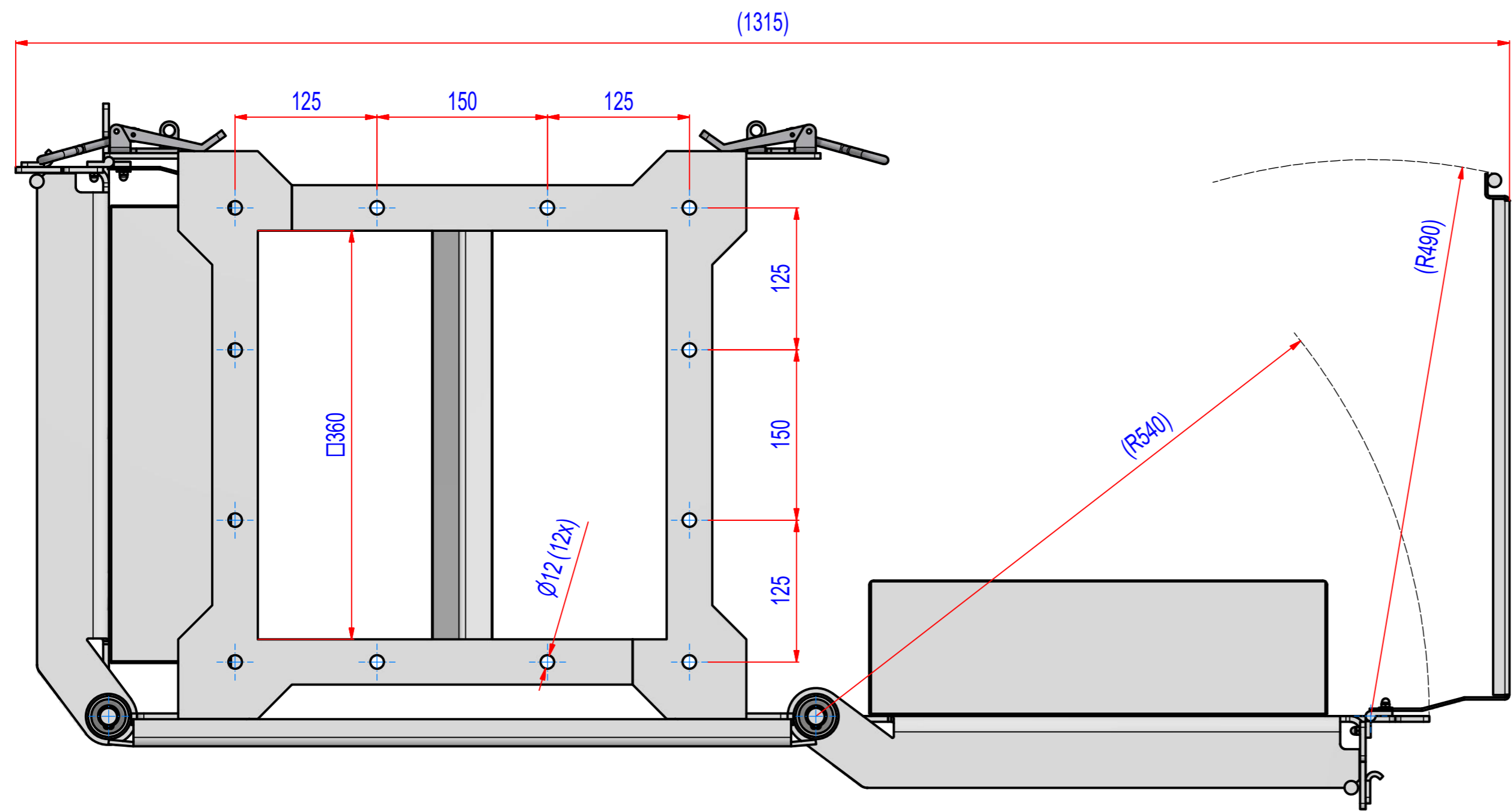


REV	BY	DATE	DESCRIPTION
-	EN	30.11.2018	New Vault, ref.: SBPF360001w_C



POZ.	Č. SOUČÁSTI	POPIS	MATERIÁL	HMOT.	MN.
7	A064_000001	Gasket 25x5, L=1830	Silikon	0,3	2
6	1216_00051	Hinge Scharnier 38 nerez		0,1	4
5	A64_000002_B	Hinge pin BP360	AISI304	0,3	4
4	15_9000046	Bearing MFM-1622-25	Iglidur	0	8
3	A43_000000	SEVM060660		116,7	2
2	A64_030000_E	EXTRACTOR BP360	AISI304	5,8	2
1	A64_010200	Deflector	AISI304	1	2

Sheet: A2 Drawn: EN Date: 30.11.2018 Predecessor: Quick search: Description: Spare parts for SBPF360001	Extra info: Weight (kg): 324,1 © All rights reserved. Reproduction is not permitted without written permission of GOUDSMIT Magnetic Systems BV	General tolerance: ISO 2768 - cL Drawn according: ISO268; ISO1101; ISO2553 Status: Customer reference number: Product key: SBP-3636-F-F1B-B-B Part number: SBPF360001_SP Rev: -
--	--	---