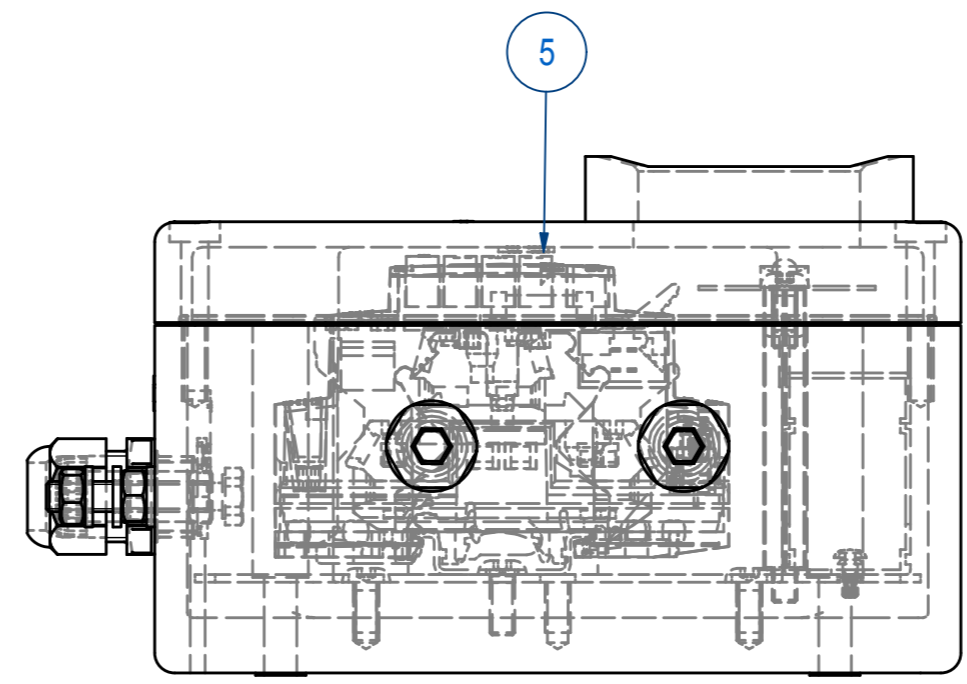
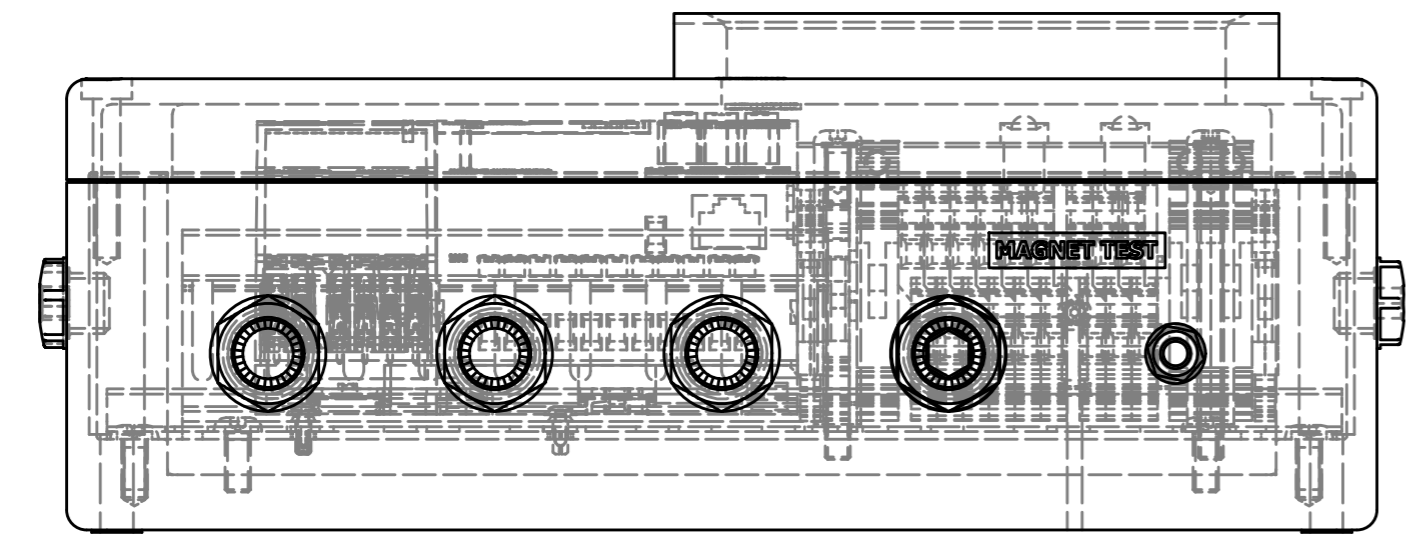
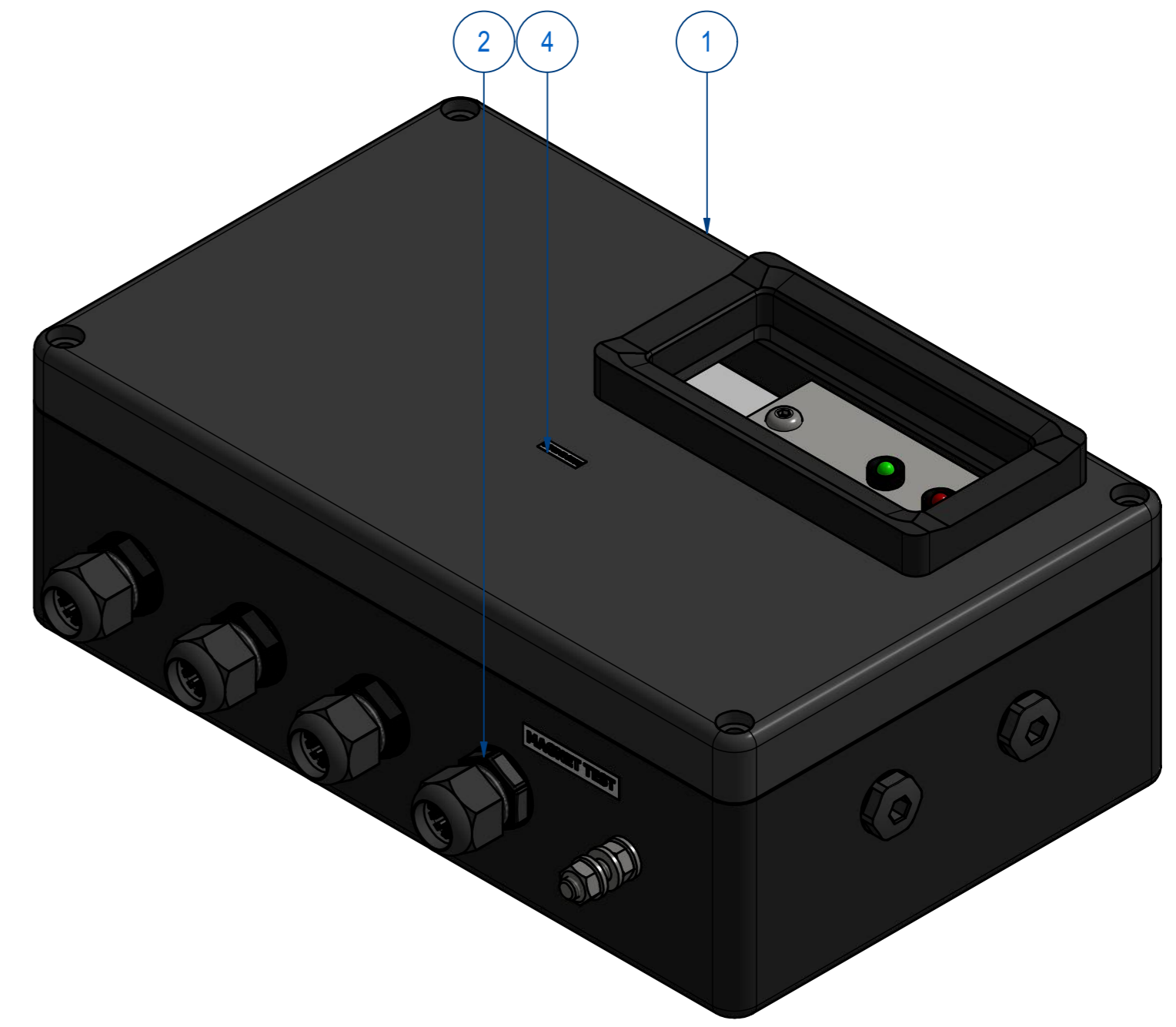
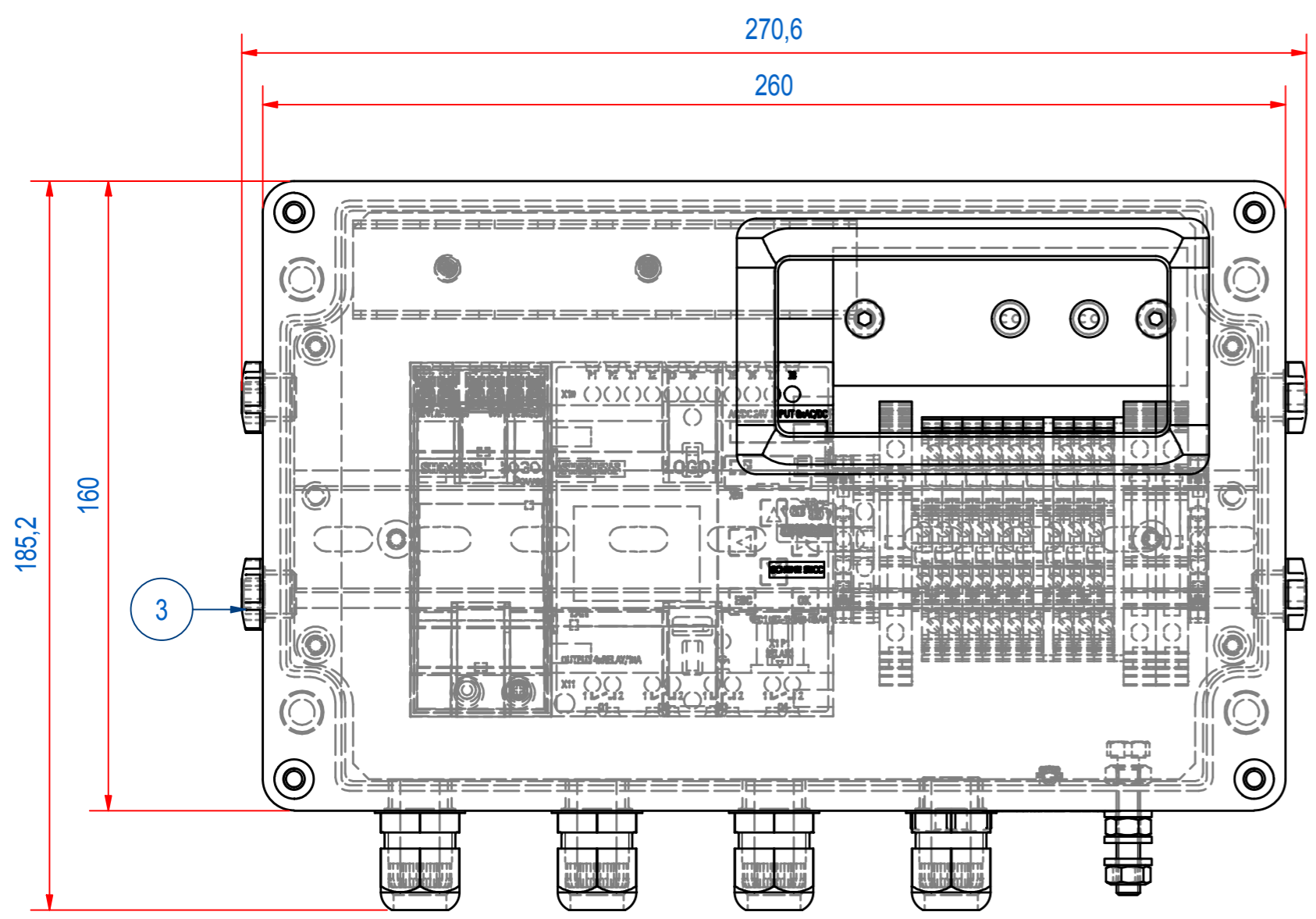


REV	DATE	BY	DESCRIPTION
A	21-2-2017	CR	REED CONTACT ADDED IN UNDERLYING DRAWING
B	16-3-2017	AvD	EISE000005 IN BOM, CHANGED BACK TO M24967
C	22-8-2019	MV	ELECTRICAL DRAWING IN ACAD ELECTRICAL



PLUG NOT-USED INPUTS
NIET GEBRUIKTE INGANGEN AFSTOPPEN.

5	1	M24967	LOGO PROGRAM SECC 2 HOURS	
4	1	P140085	ELECTRIC SCBAS23007 SECC	
3	4	EIYQ390012	DOME PLUG PA V-Ex M12x1.5	
2	1	EIYQ390016	DOME PLUG PA V-Ex M16x1.5	
1	1	SCBAS23002	CONTR BOX SECC/SECC Ex II 2D	

ITEM	QTY	PART NUMBER	DESCRIPTION	Dimensions
RAW MAT.	1			
Quantity		Material Number	Material Description	Length (mm) Width (mm)
Sheet:	A2		Extra info:	General tolerance: ISO 2768- mK
Drawn:	AvD		Weight (kg): 13,2	Drawn according: ISO268; ISO1101; ISO2553
Date:	3-9-2012		ATEXZONE 21	Status: Standard
Spare part:	False			Customer reference number:
Quick search:	CONTROL CC		 <small>© All rights reserved. Reproduction is not permitted without written permission of GOUDSMIT Magnetic Systems BV</small>	Document number: E0071881 Doc.Rev: C
Description:	CONTR BOX SECC Ex II 2D			Part number: SCBAS23007 Rev: C